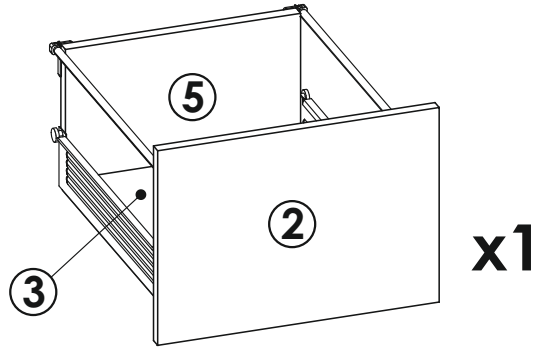
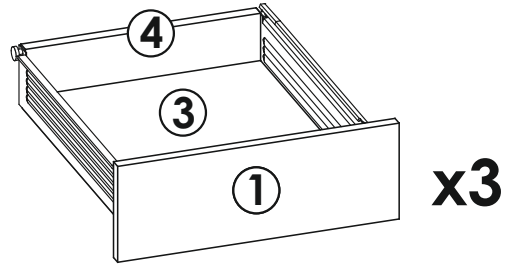
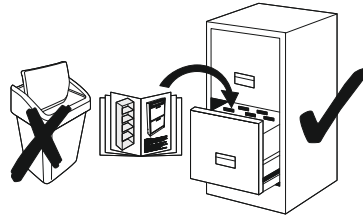
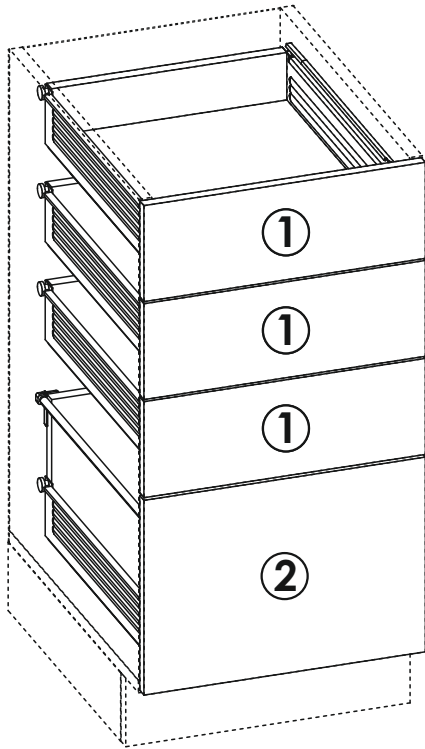
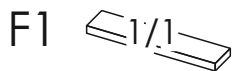
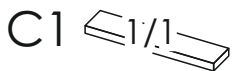
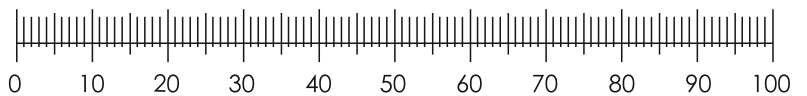


# KPL SZUF D4M 40

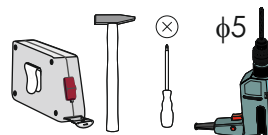
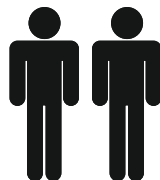


<b>c2</b> Euro 5x13 x...(x64)	<b>d5</b> x...(x4)	<b>i6</b> 3,5x40 x...(x4)	<b>mt0</b> x...(x4)
<b>mt1</b> x...(x4)	<b>mt2</b> right x...(x4)	<b>mt3</b> left x...(x4)	<b>mt4</b> x...(x2)
<b>mt5</b> x...(x2)	<b>p0</b> ø5 x...(x8)	<b>p14</b> ø10 x...(x2)	



- ③ -C1
- ④ -C1
- ⑤ -C1

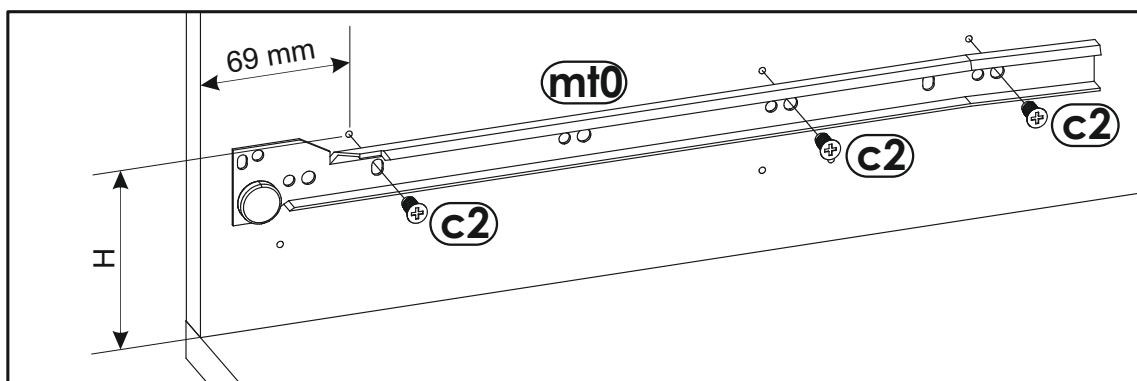
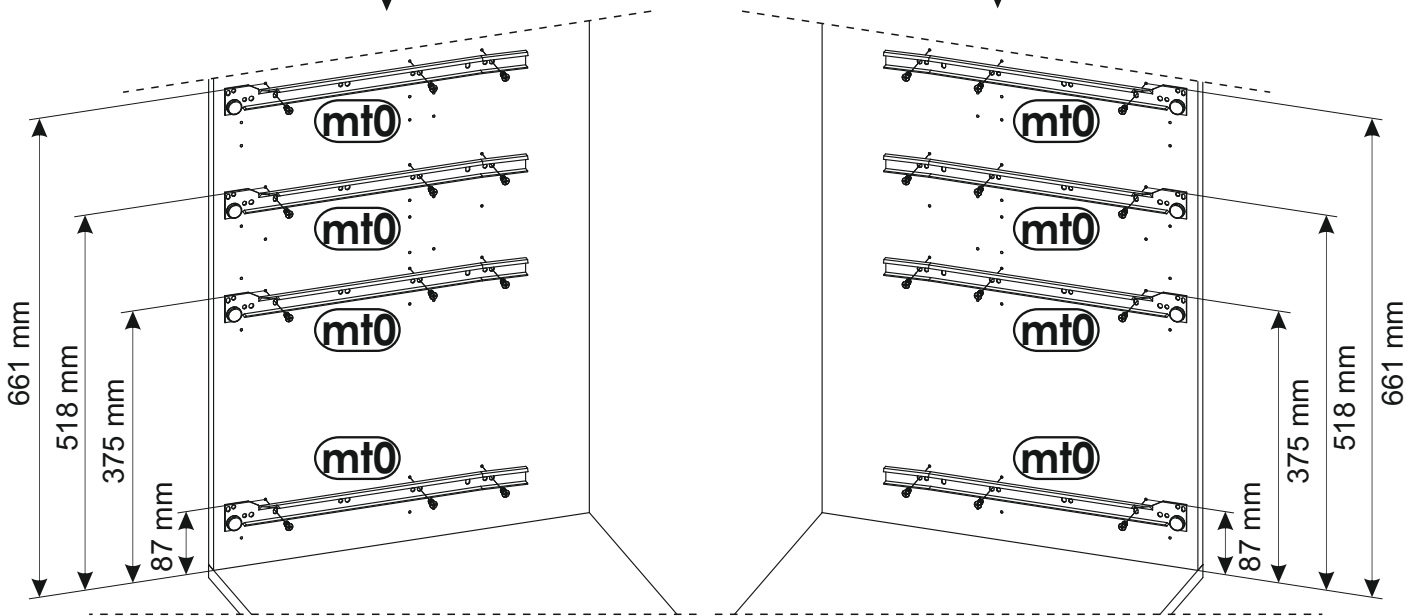
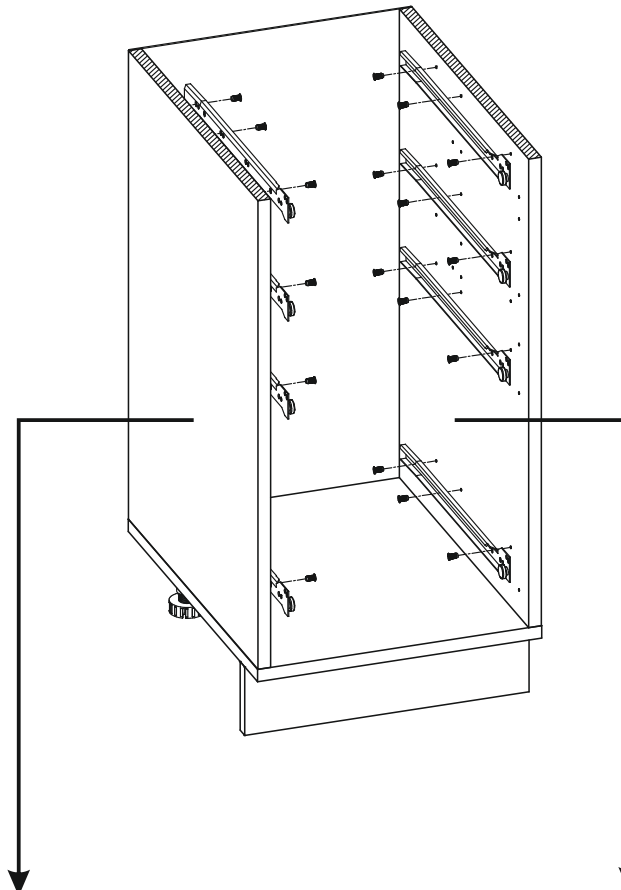
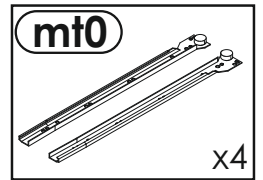
- ① -F1
- ② -F1

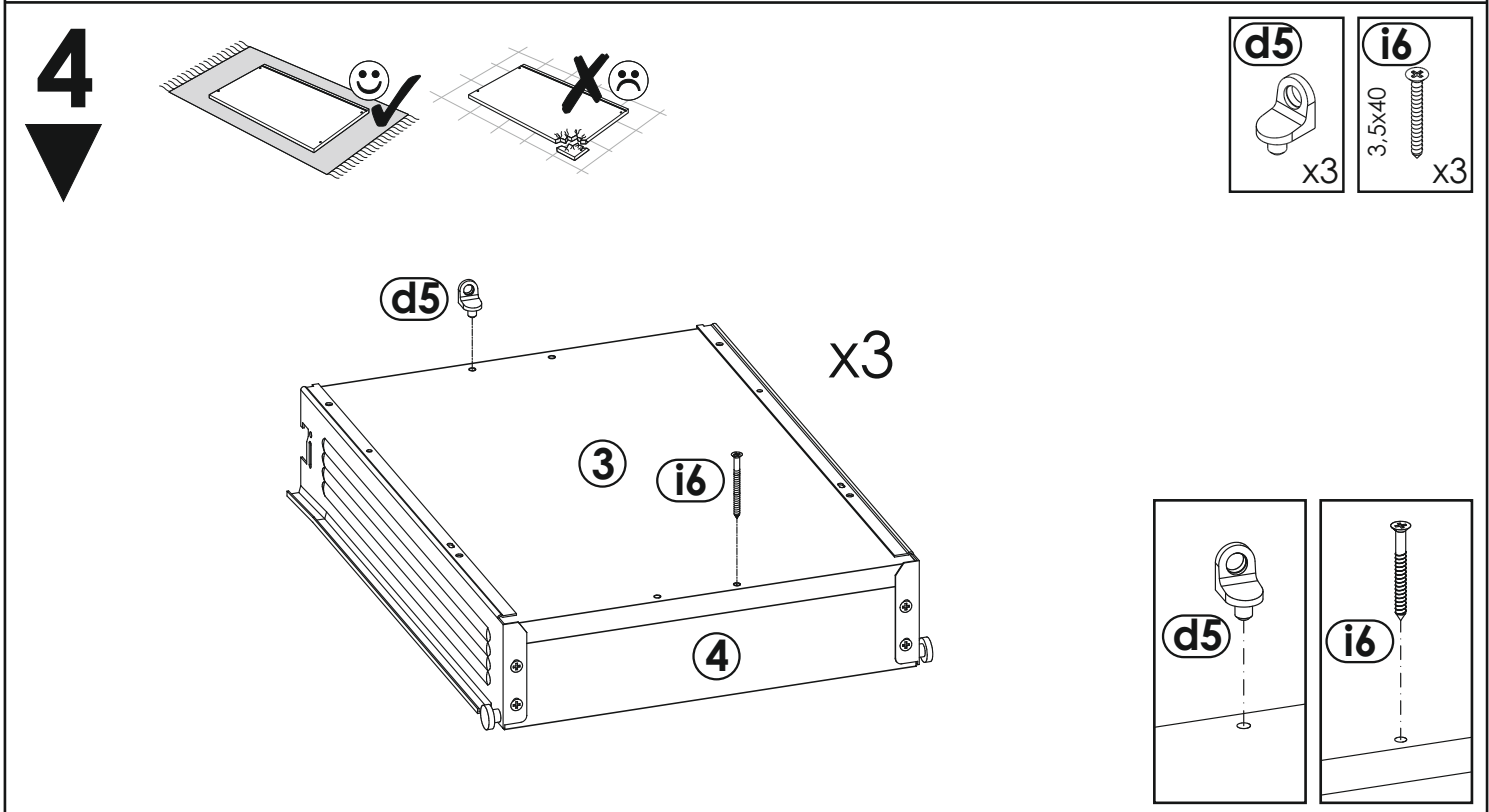
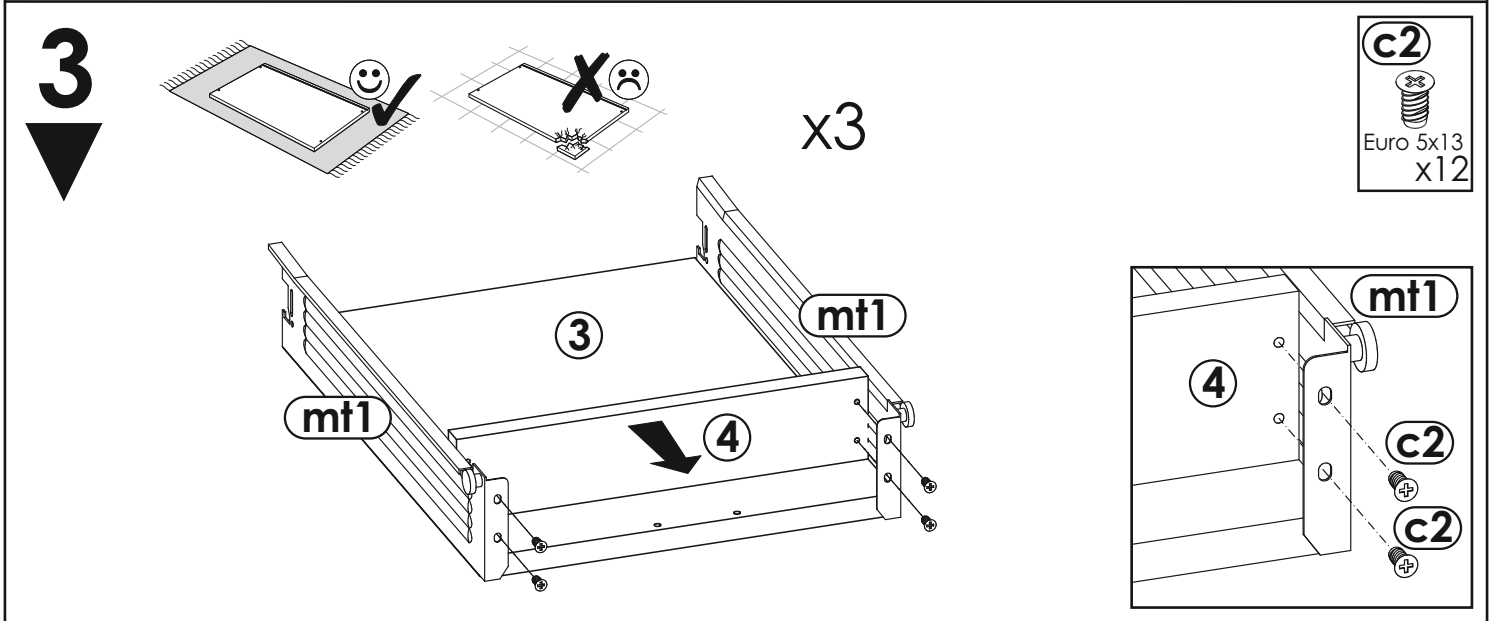
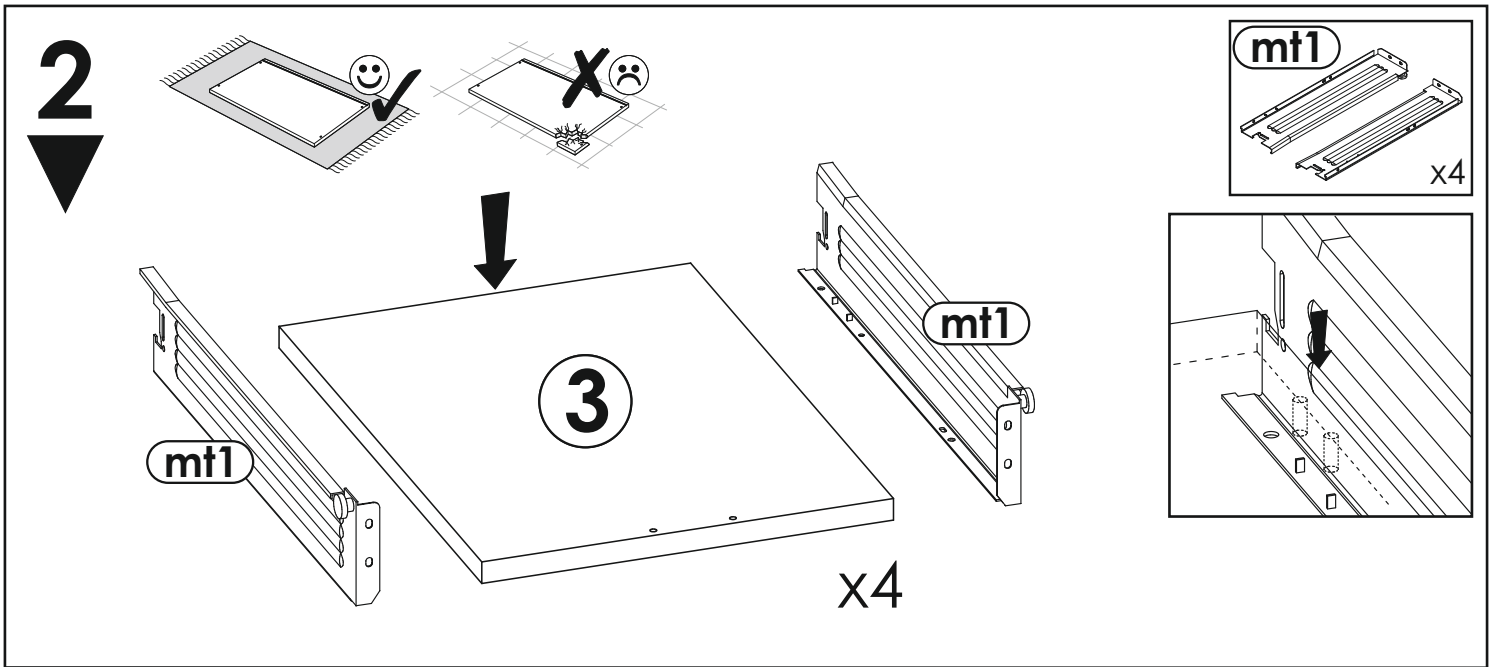


- 60 min.

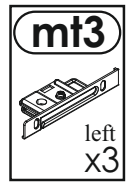
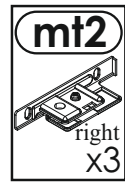
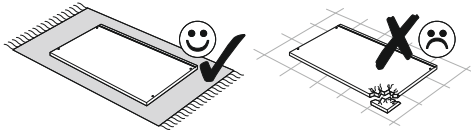


1

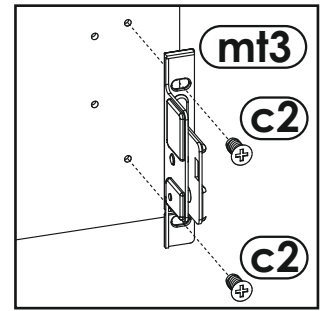
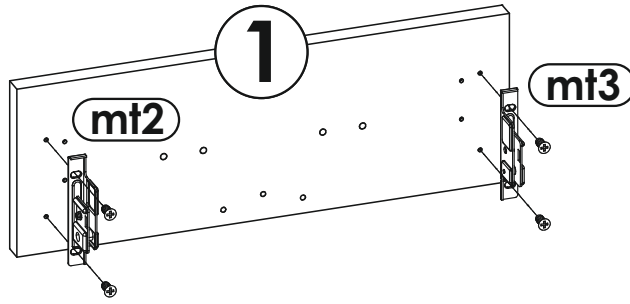
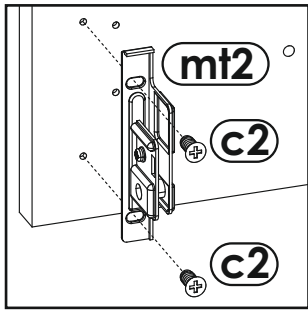




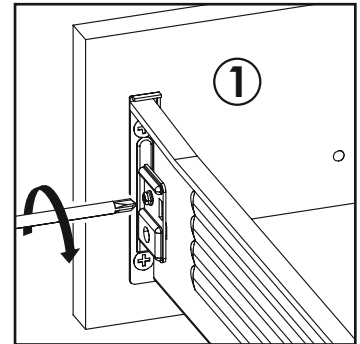
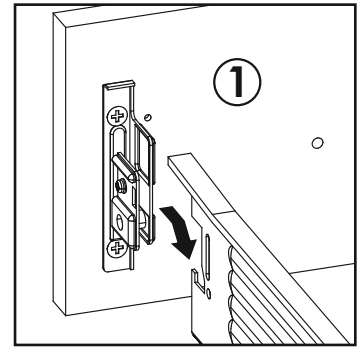
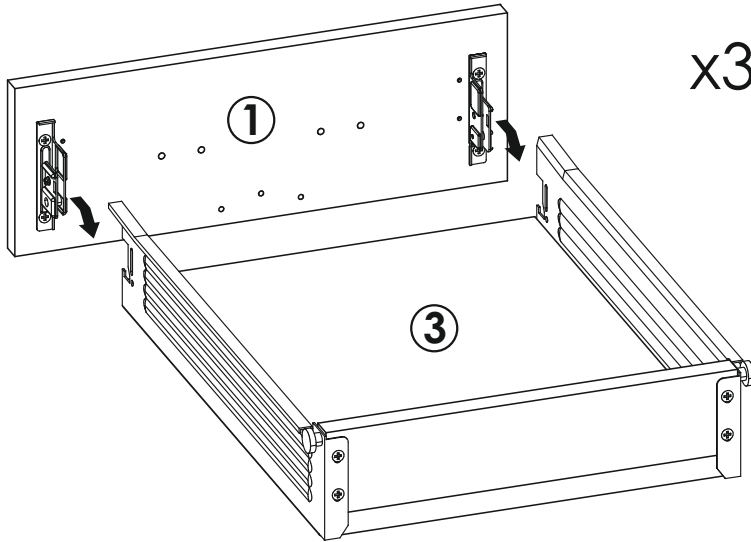
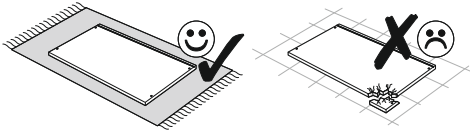
5



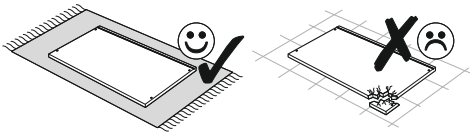
x3



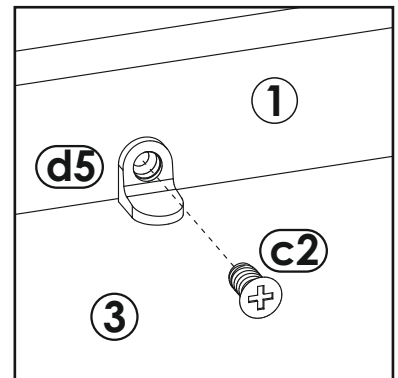
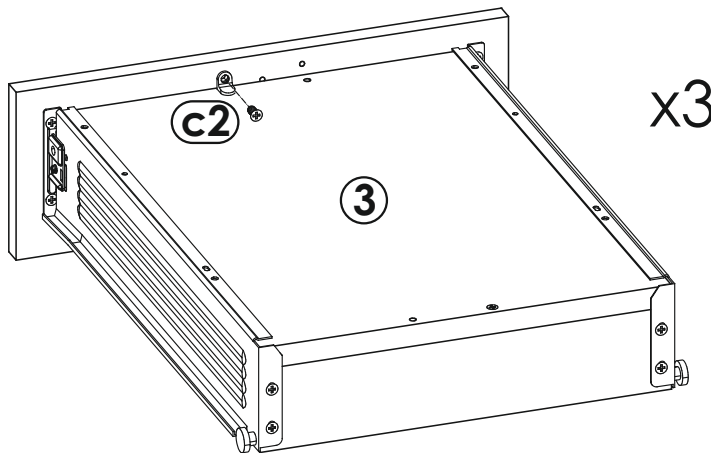
6



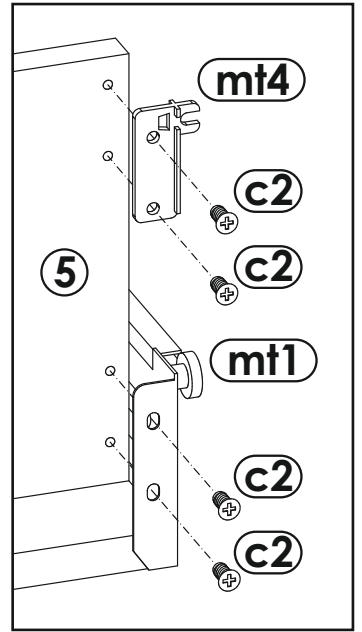
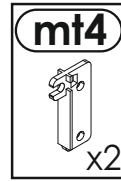
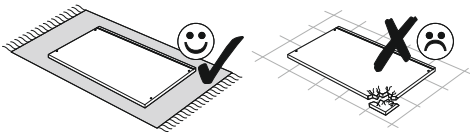
7



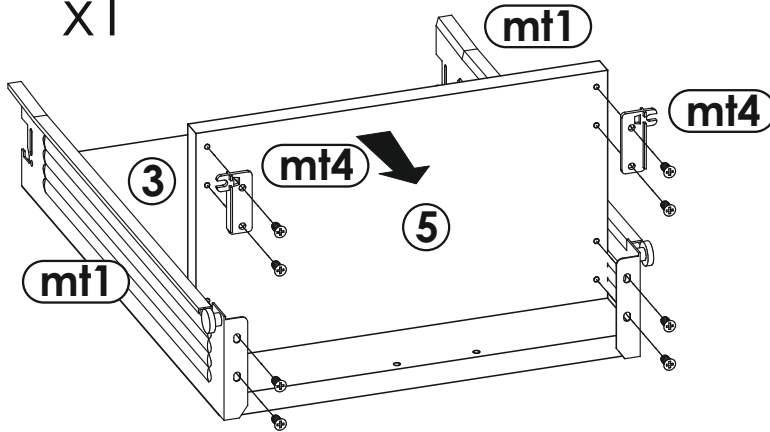
x3



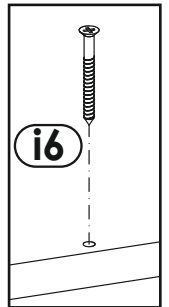
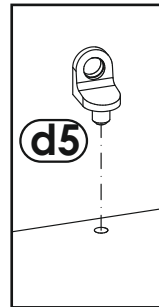
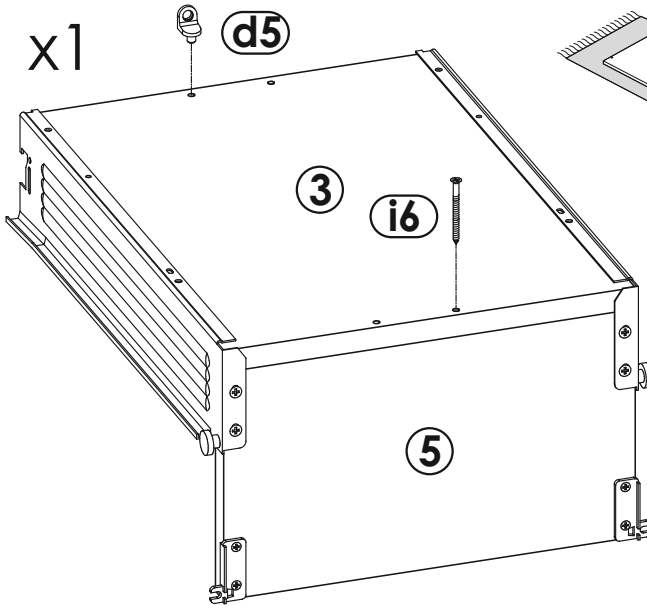
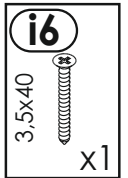
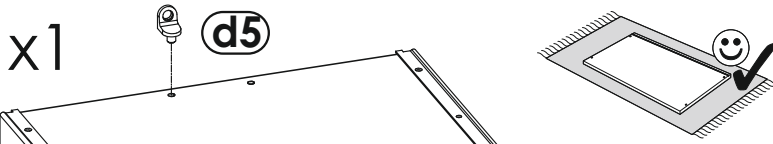
8



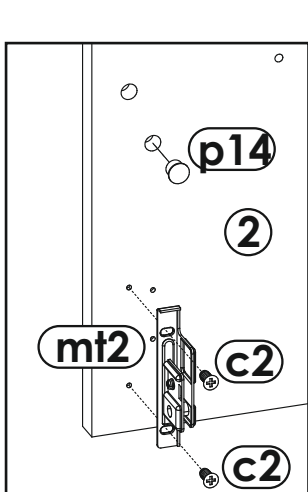
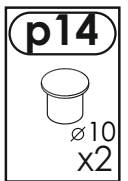
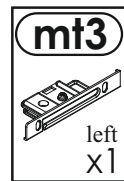
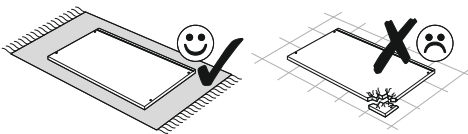
x1



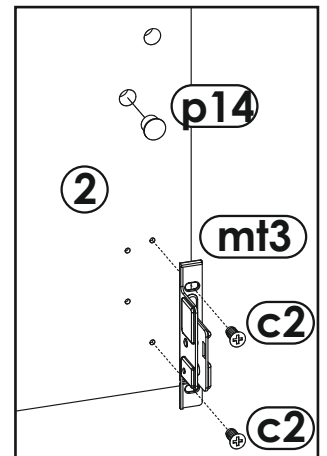
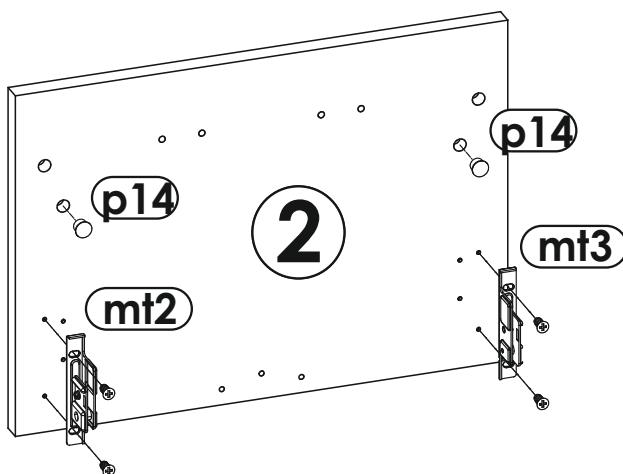
9



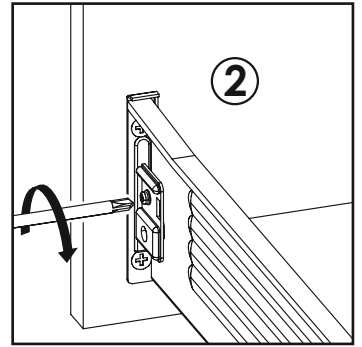
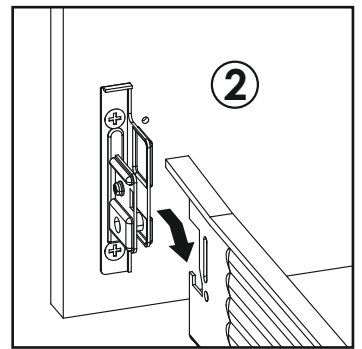
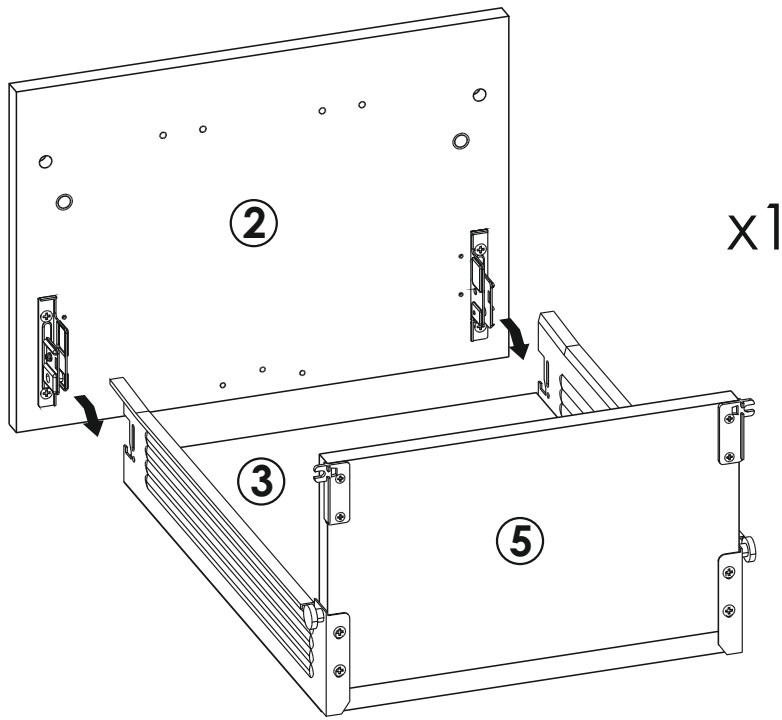
10



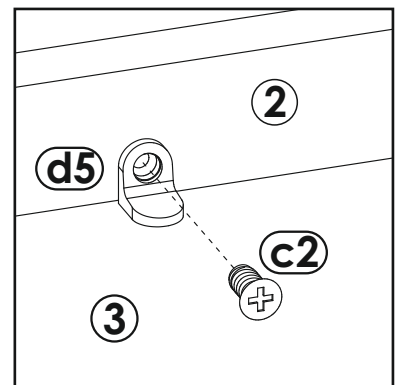
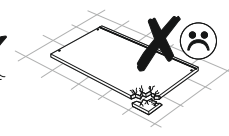
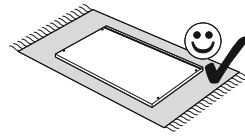
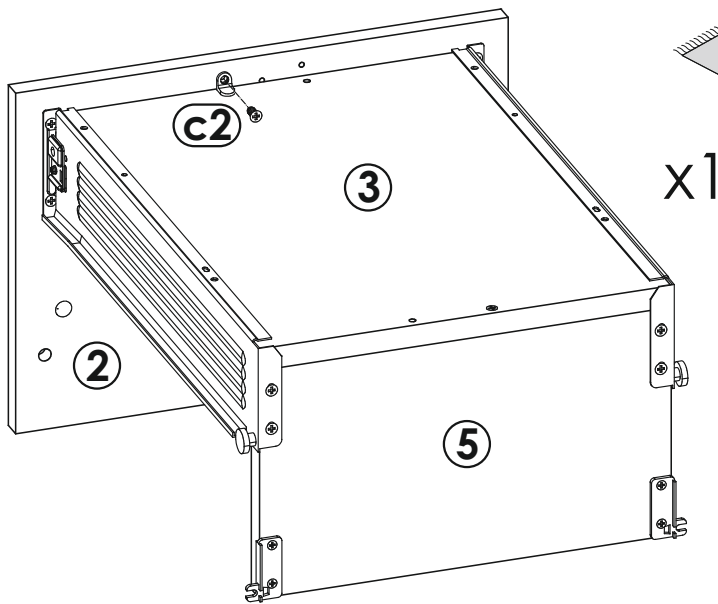
x1



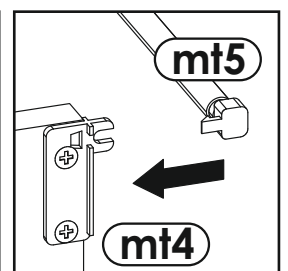
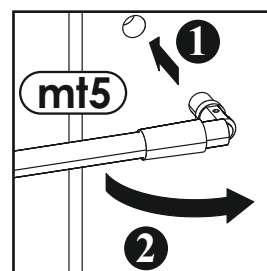
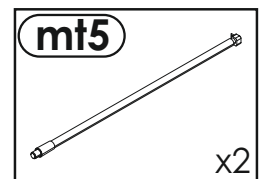
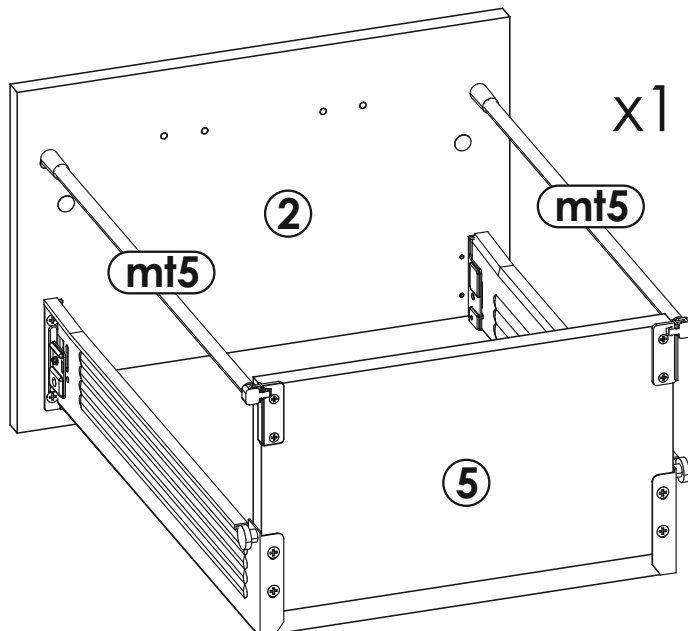
11  
▼



12  
▼

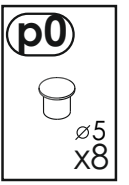
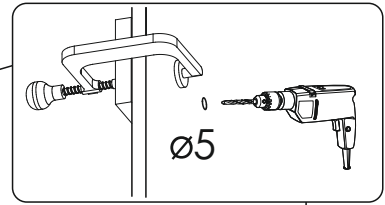
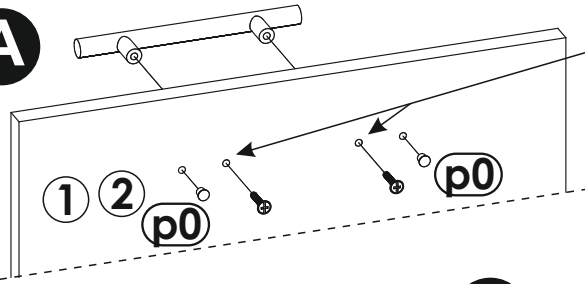


13  
▼

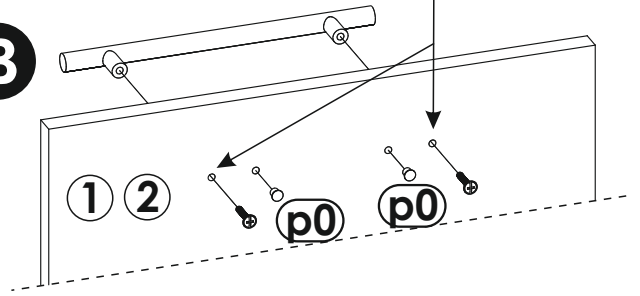


14  
▼

**A**



**B**



15  
▼

