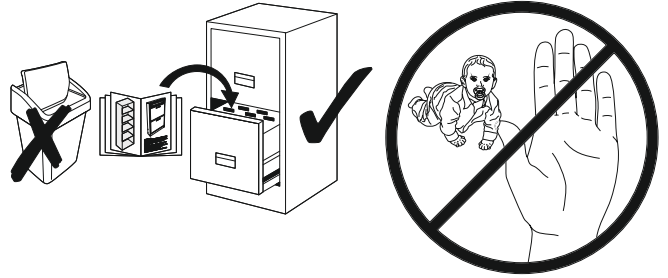
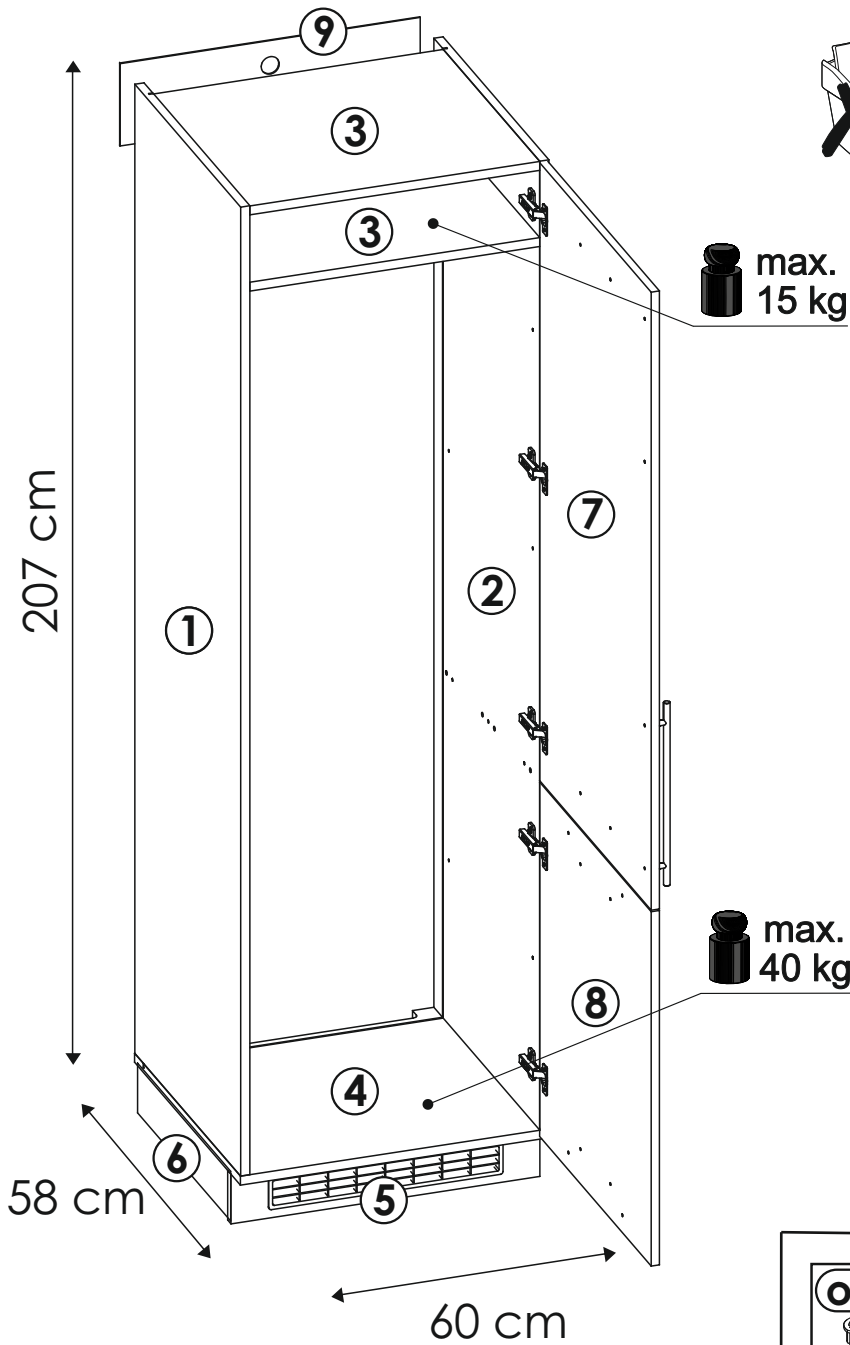
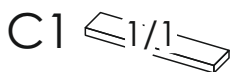


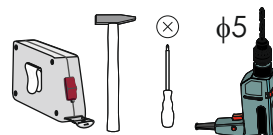
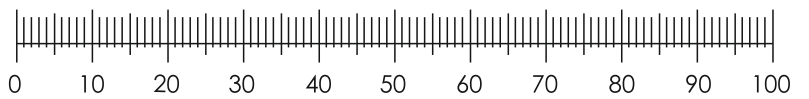
2N D14 DL 60



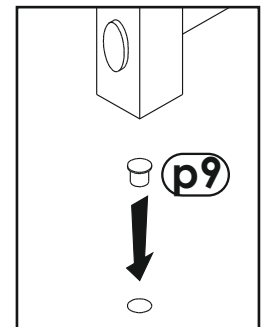
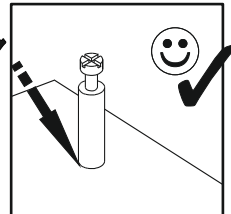
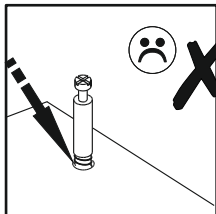
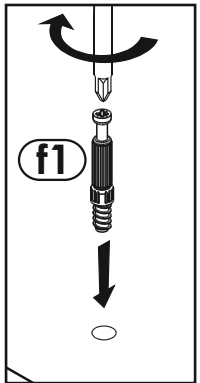
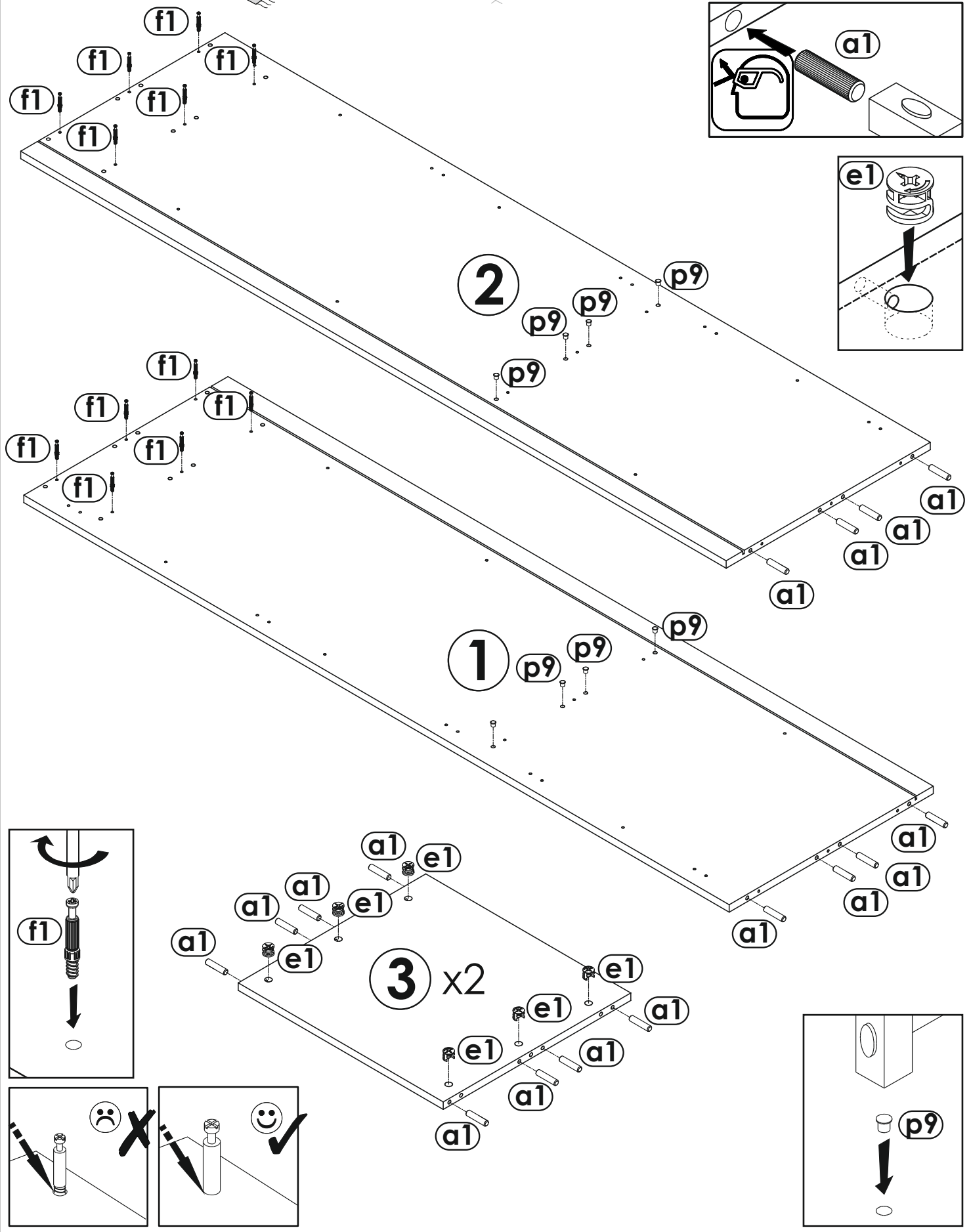
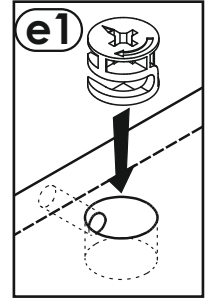
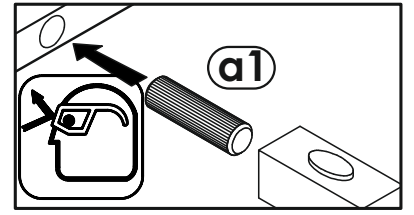
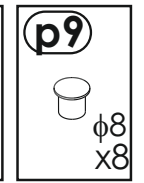
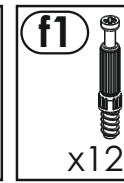
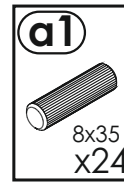
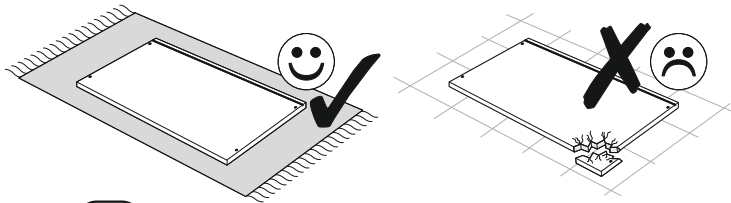
a1 8x35 x...(x24)	bc0 x...(x5)	c1 Euro 4x13 x...(x10)
bc1 x...(x5)	e0 x...(x12)	e1 x...(x12)
f1 x...(x12)	g1 x...(x6)	k3 4x22 x...(x4)
h1 x...(x2)	m x...(x1)	n1 3x16 x...(x10)
n2 3,5x16 x...(x24)	p01 φ5 x...(x24)	p9 φ8 x...(x8)
o1 x...(x4)	o2 x...(x4)	w9 x...(x1)
		w16 x...(x1)

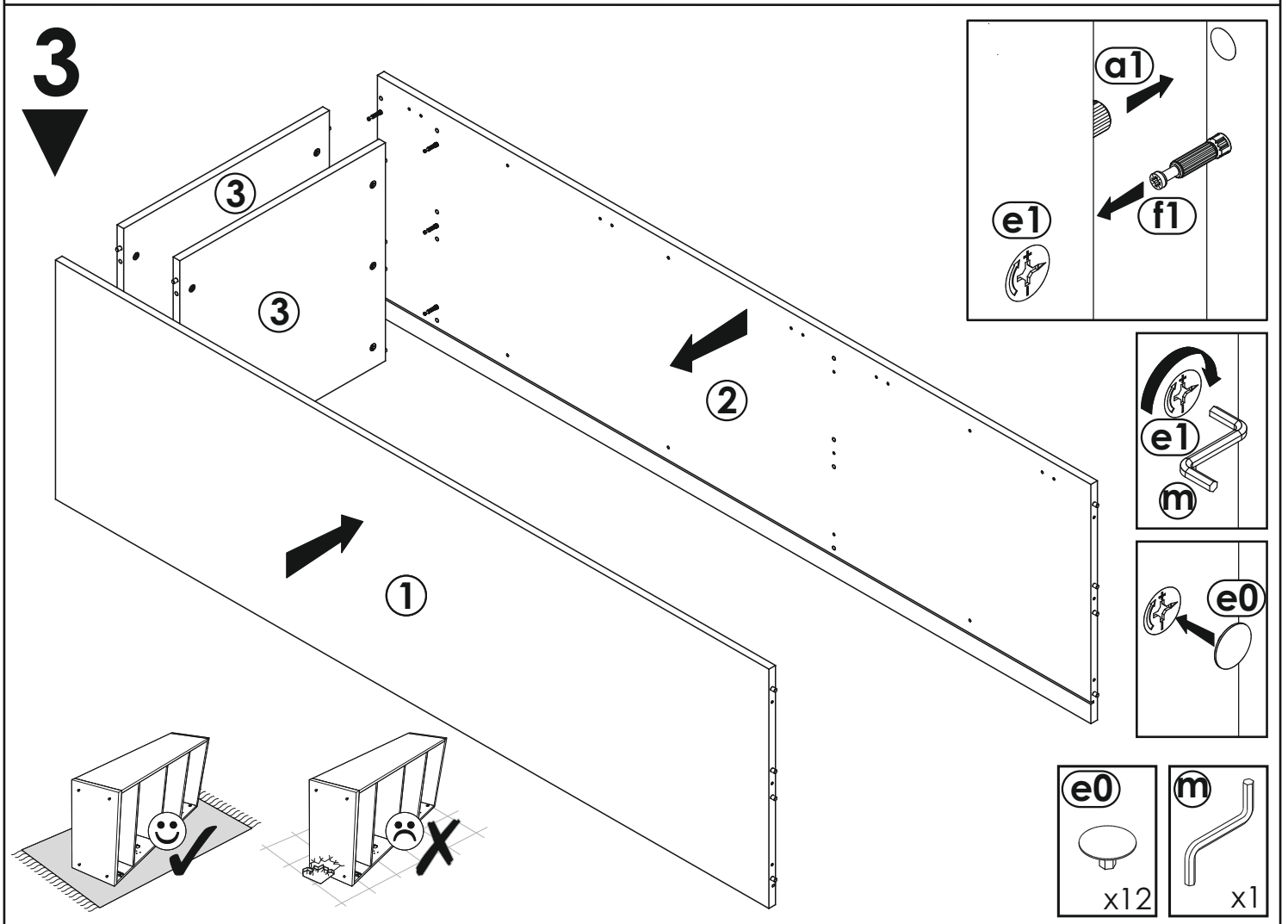
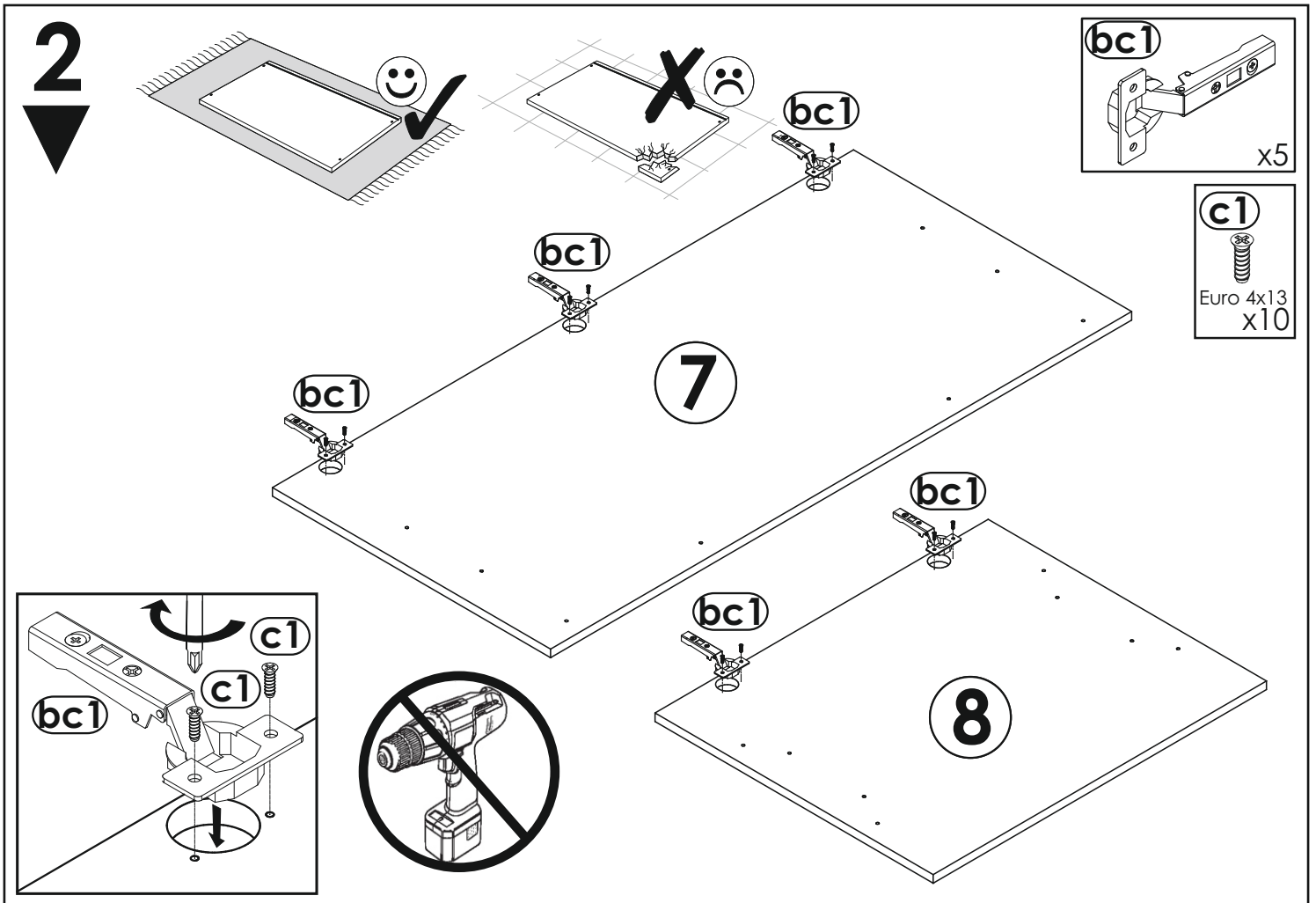


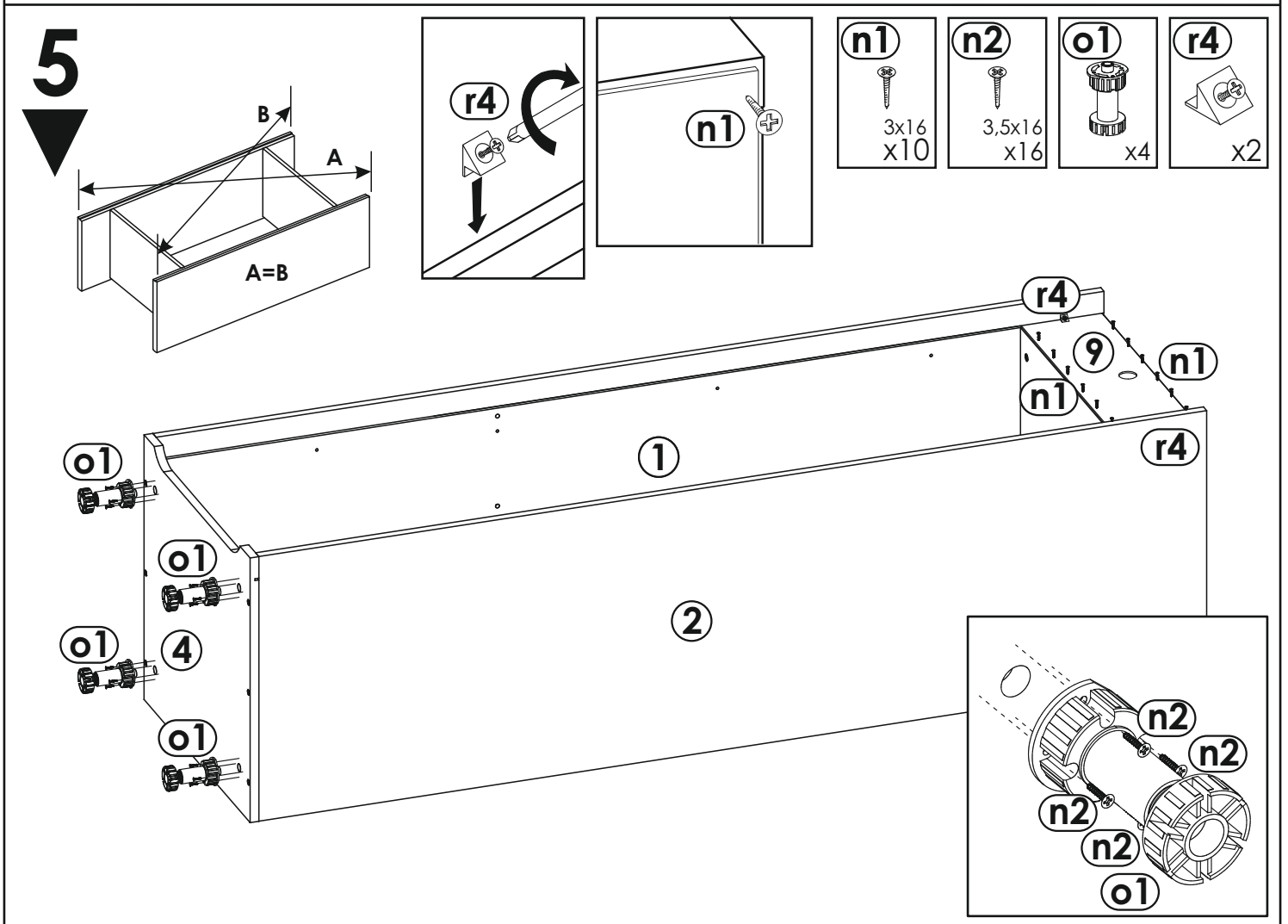
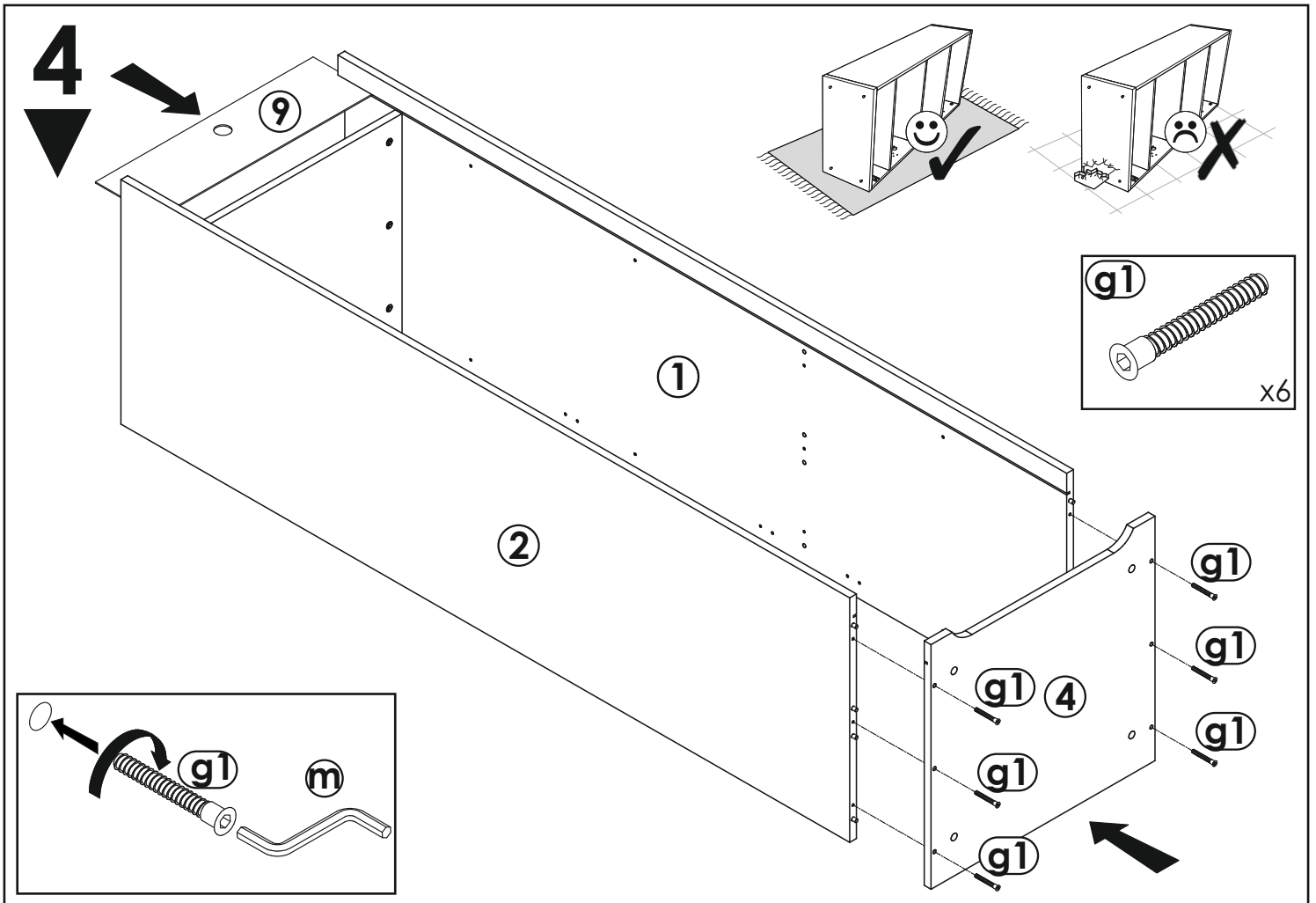
- | | |
|-------|-------|
| ① -C1 | ⑥ -C1 |
| ② -C1 | ⑦ -C1 |
| ③ -C1 | ⑧ -C1 |
| ④ -C1 | ⑨ -C1 |
| ⑤ -C1 | |



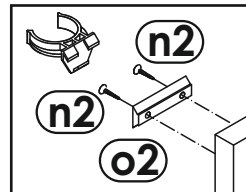
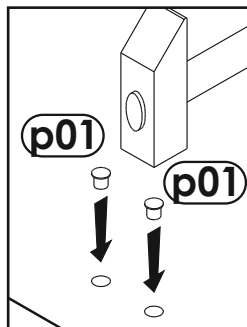
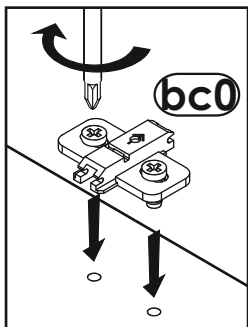
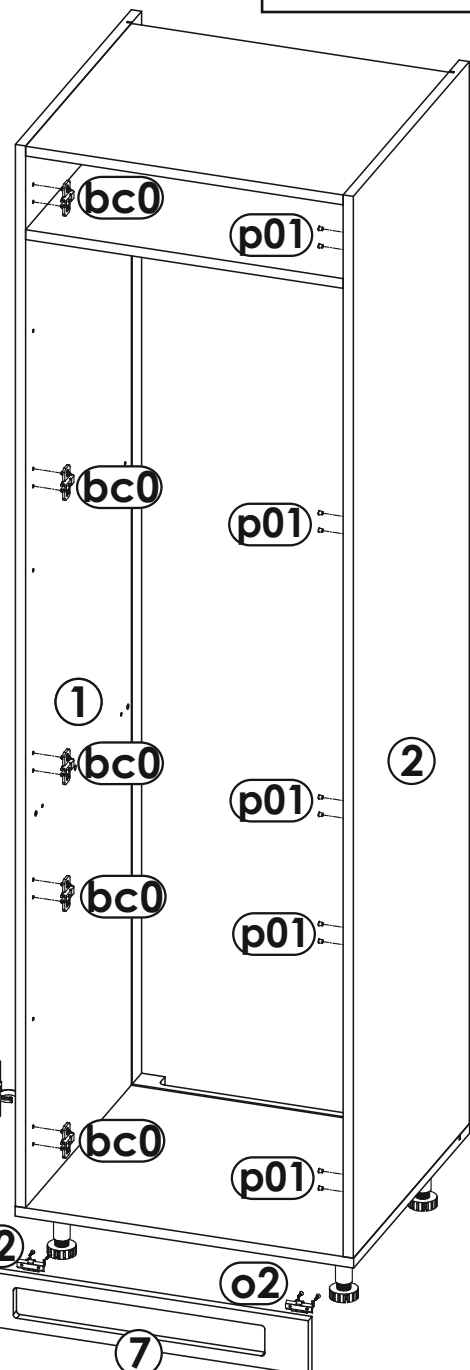
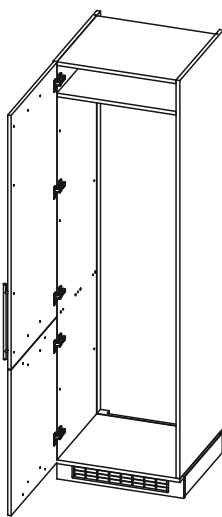
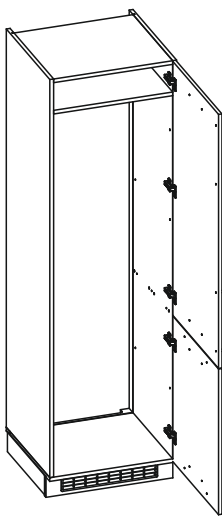
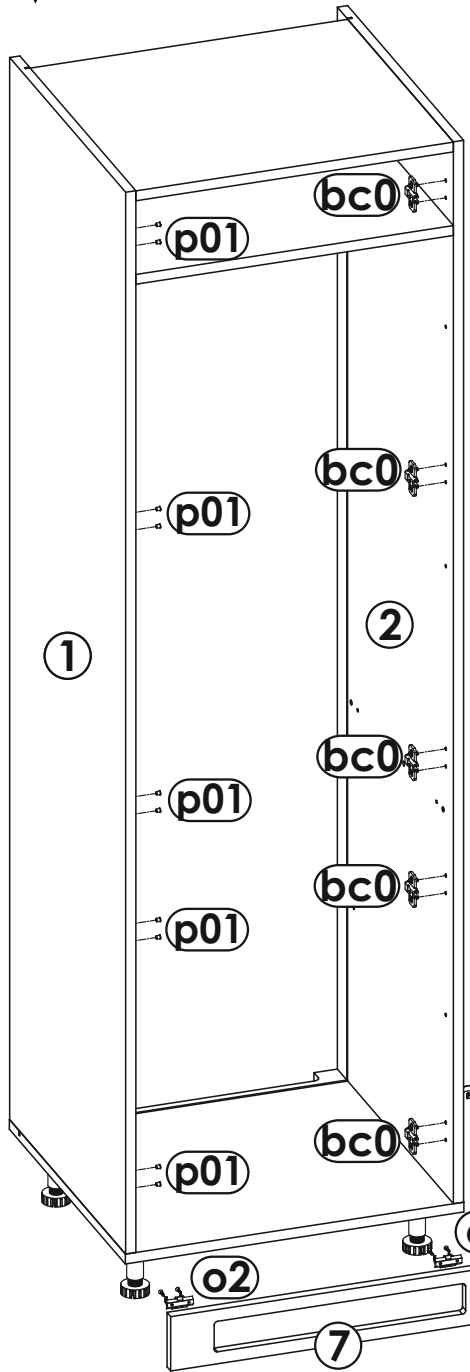
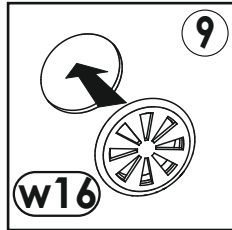
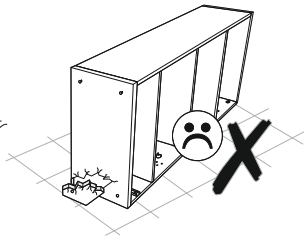
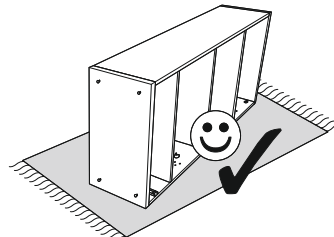
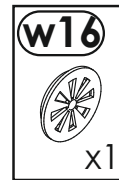
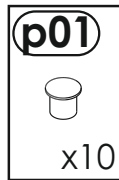
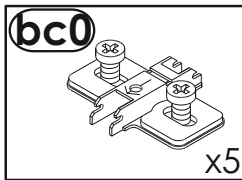
1







6



7

