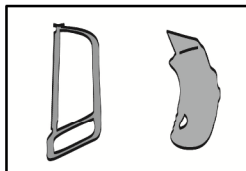


Preloc 300

Certified in accordance to EN 274-1:2002

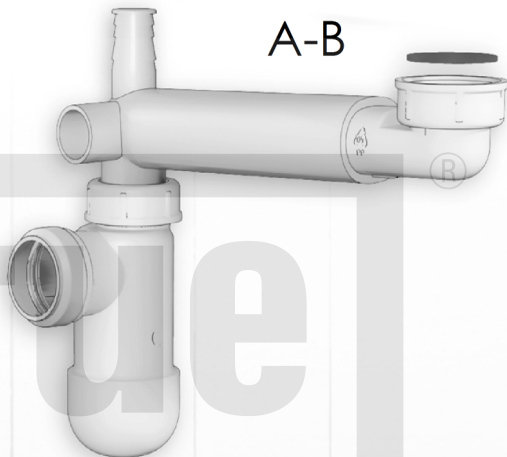
PREVEX

www.prevex.com



W

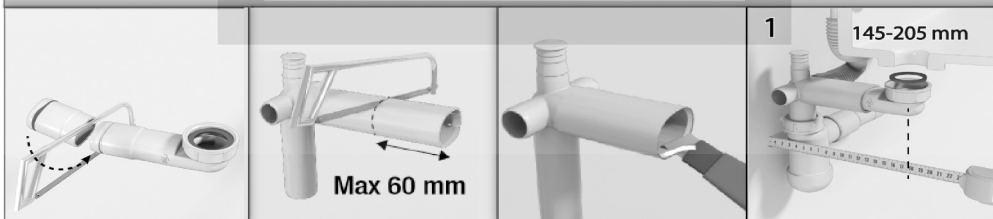
A-B



A 205-300 mm



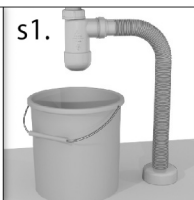
B LENGTH OF THE SIPHON ARM 145-205 mm



Service



s1.



s2.



s3.

