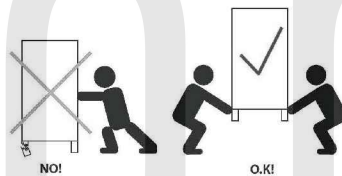
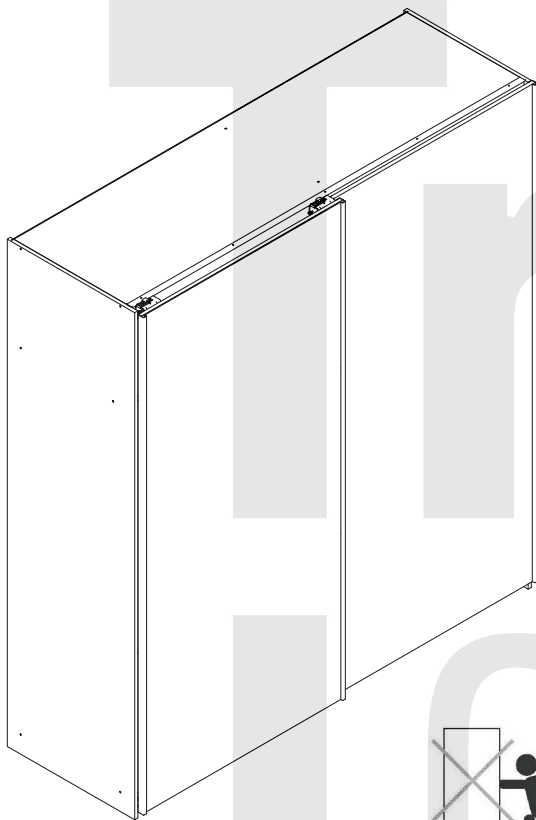
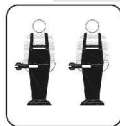


KAYLA II 150 korpus



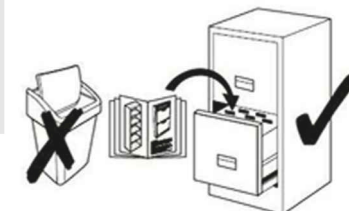
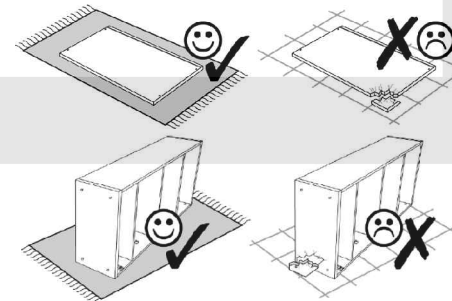
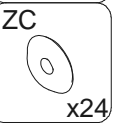
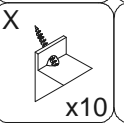
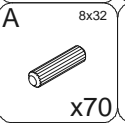
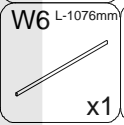
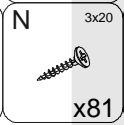
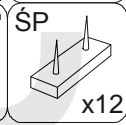
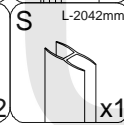
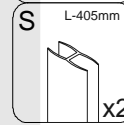
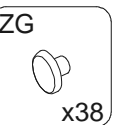
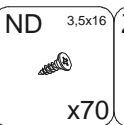
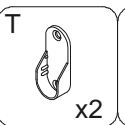
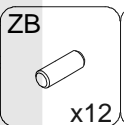
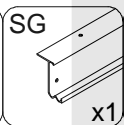
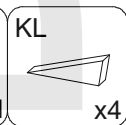
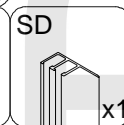
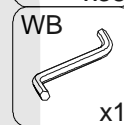
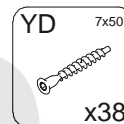
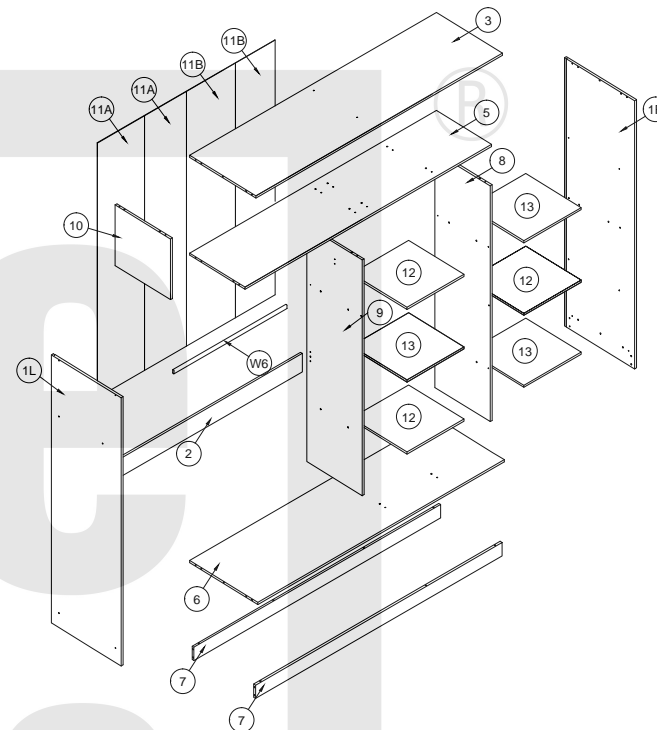
29.03.2017

- | | |
|----------------------------------|------------------------------|
| (D) Montageanleitung | (GB) Assembly Instructions |
| (FR) Notice de montage | (IT) Istruzioni di montaggio |
| (NL) Handleiding voor de montage | (PL) Instrukcja montażu |
| (CZ) Montážní návod | (SK) Návod na montáž |
| (HU) Szerelési útmutató | (RO) Instrucțiuni de montaj |
| (TR) Montaj talimatı | (RU) Инструкции по монтажу |



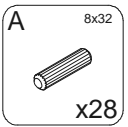
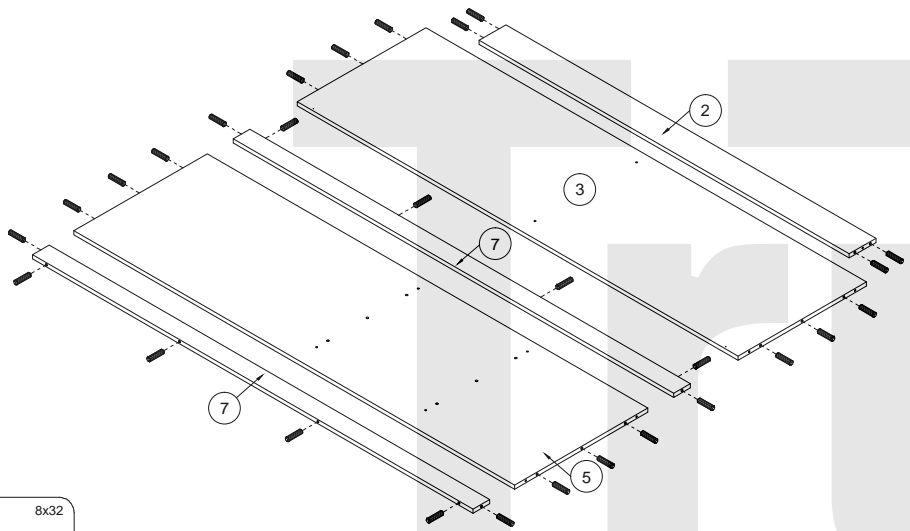
2-2,5

1

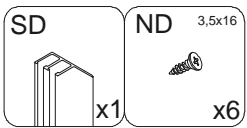
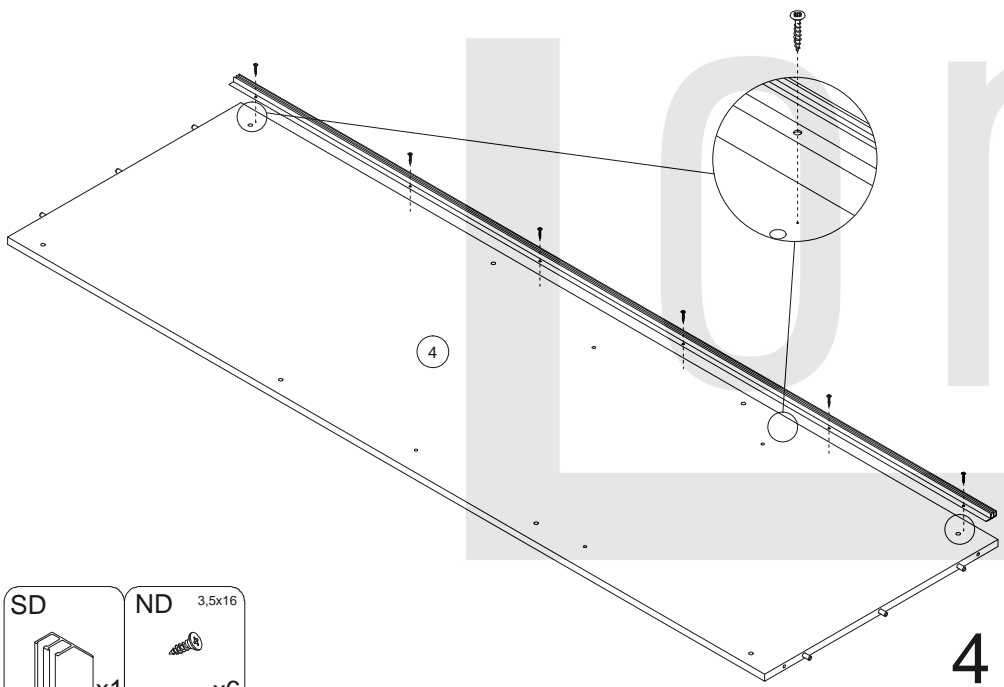


2

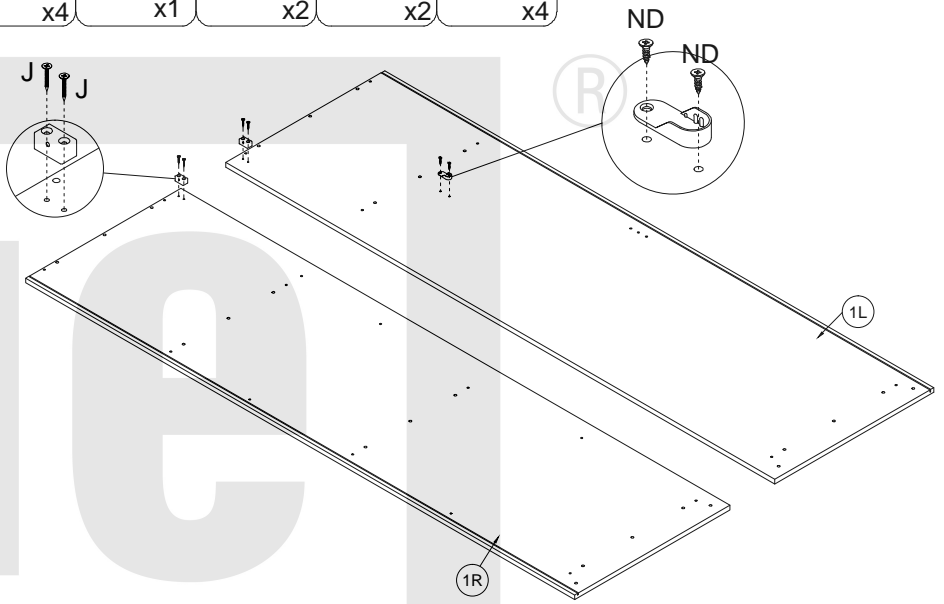
3



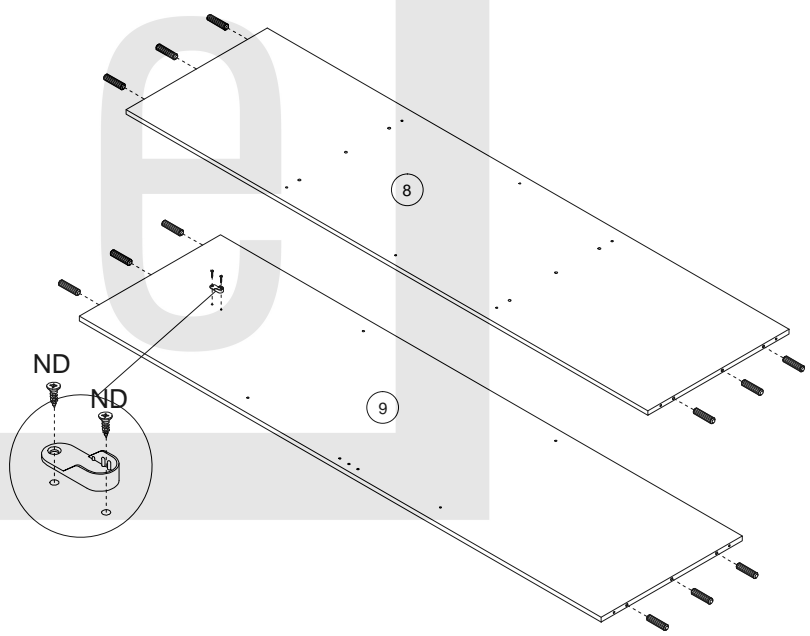
4



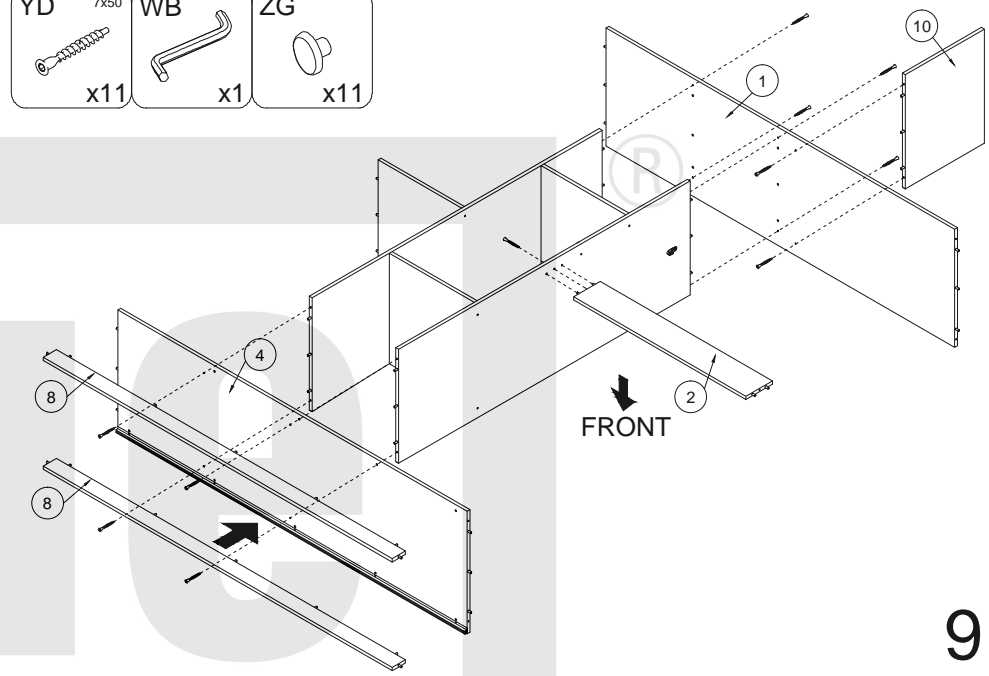
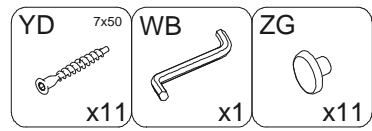
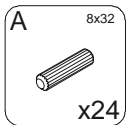
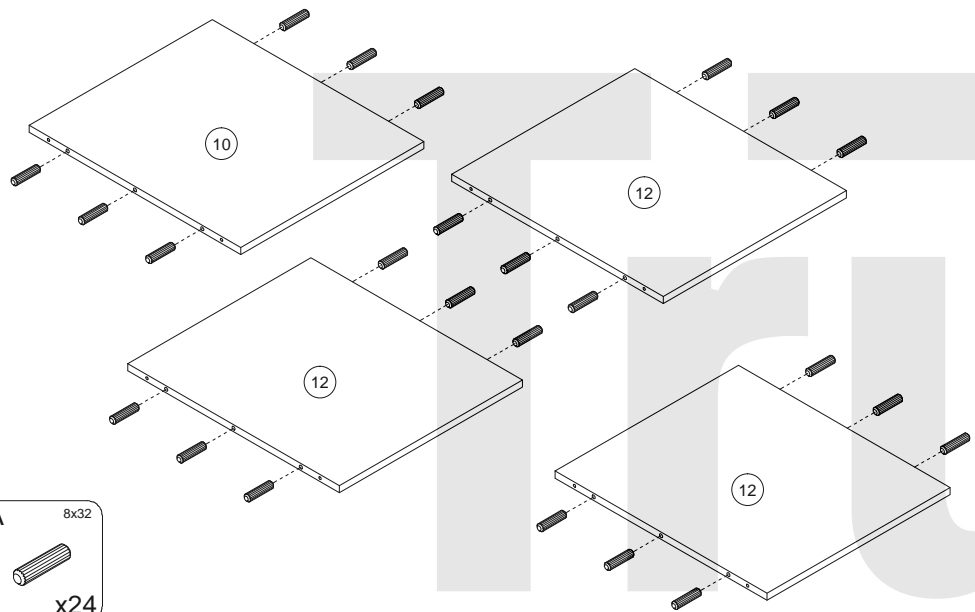
5



6

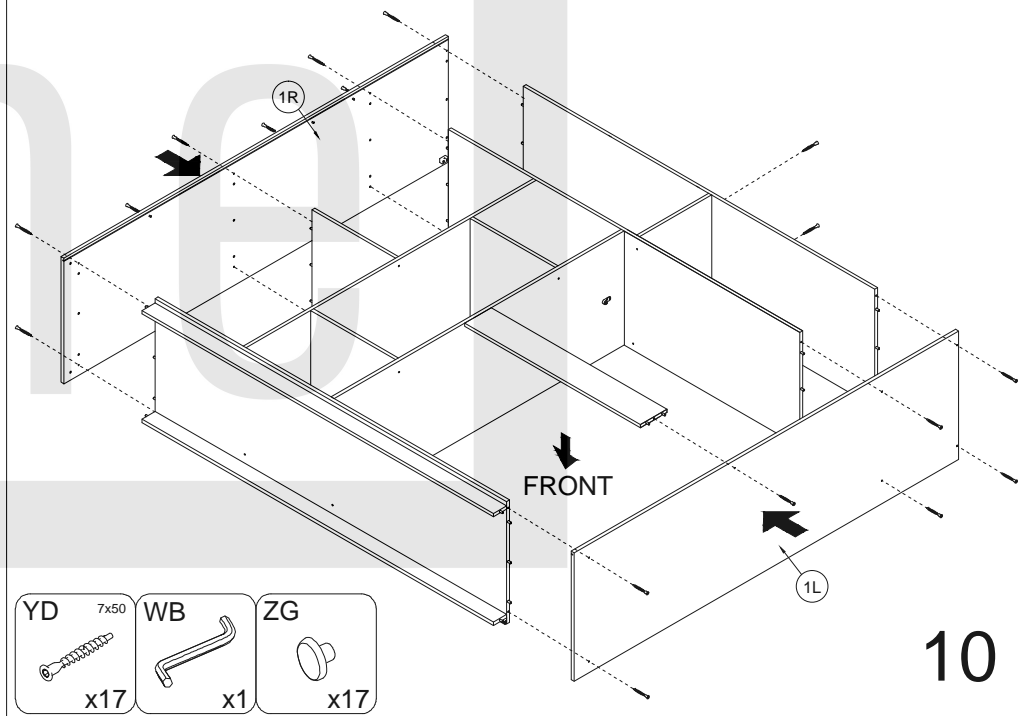
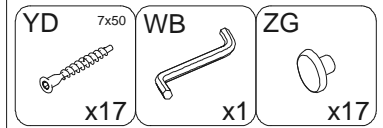
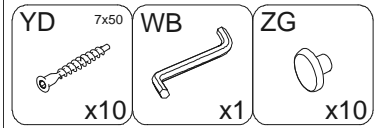
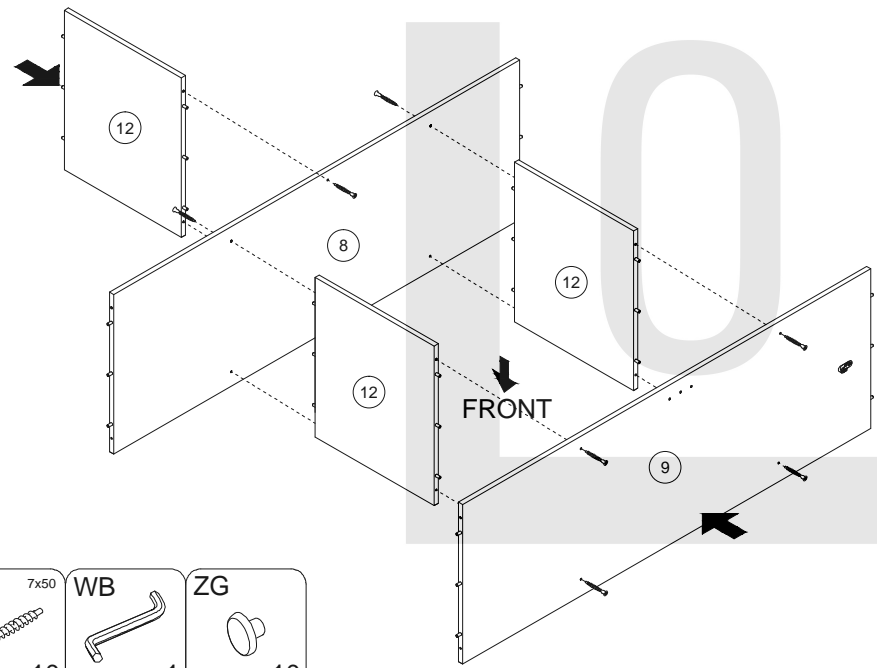


7

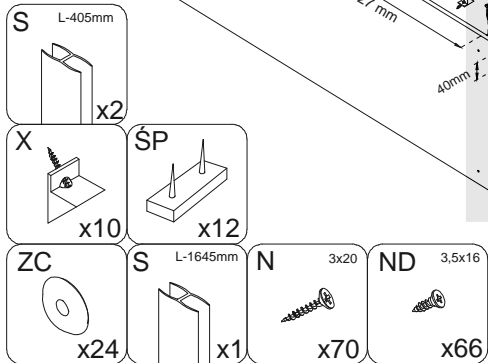
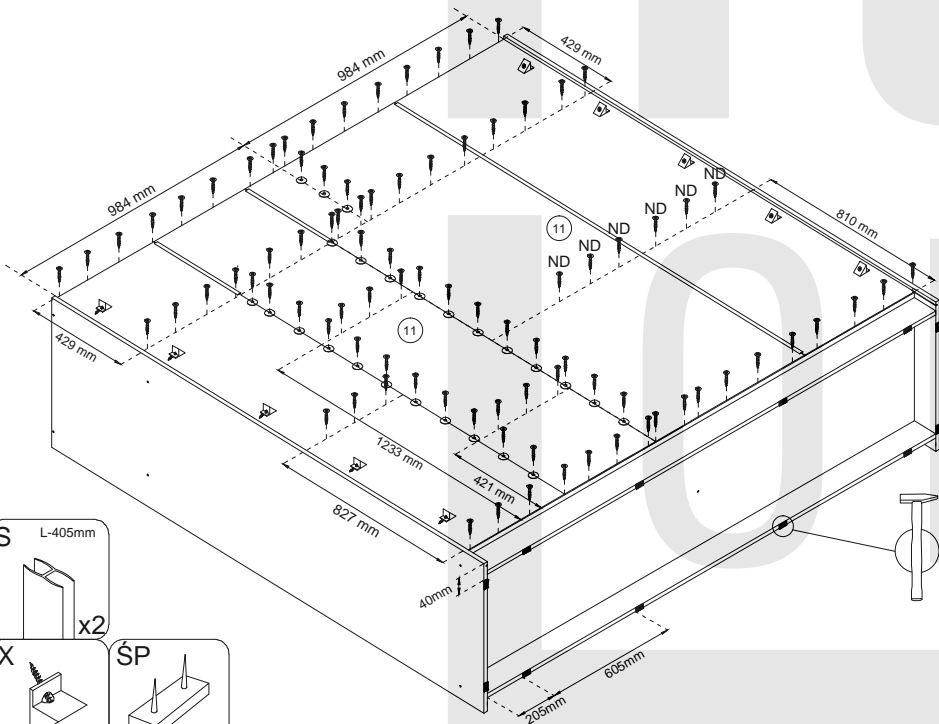
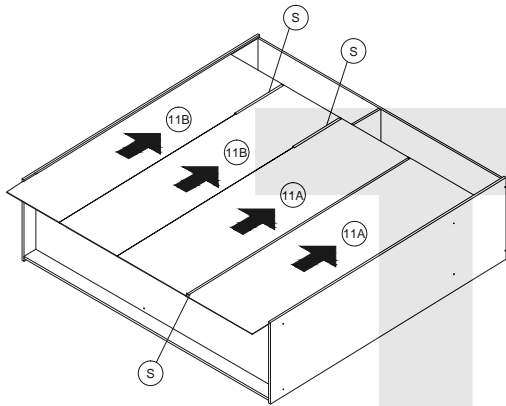
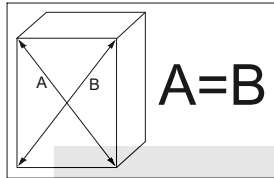


9

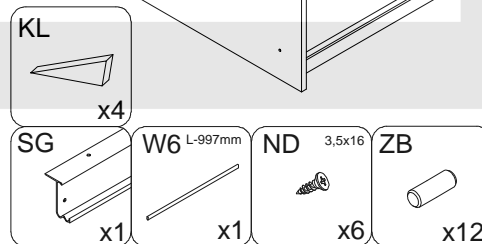
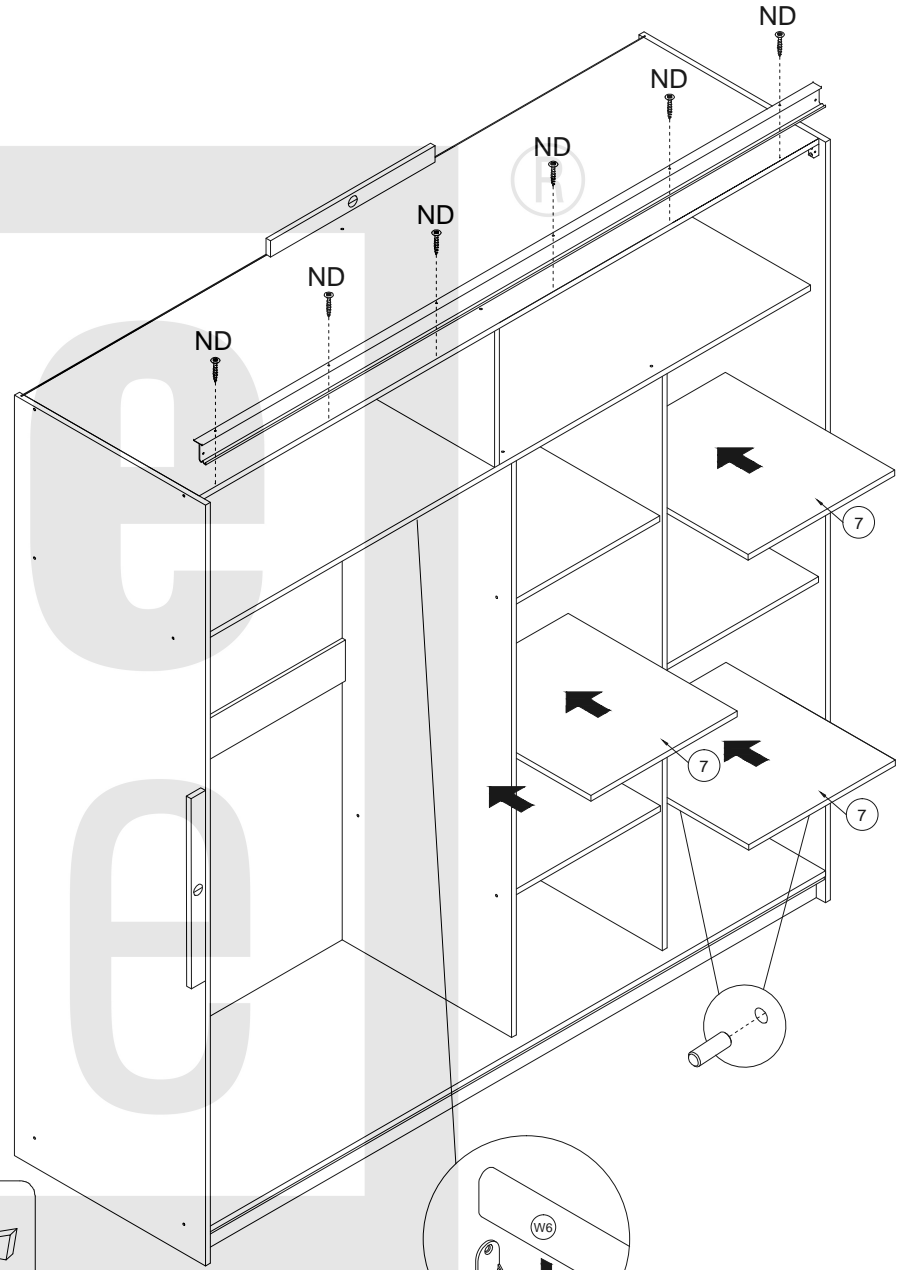
8



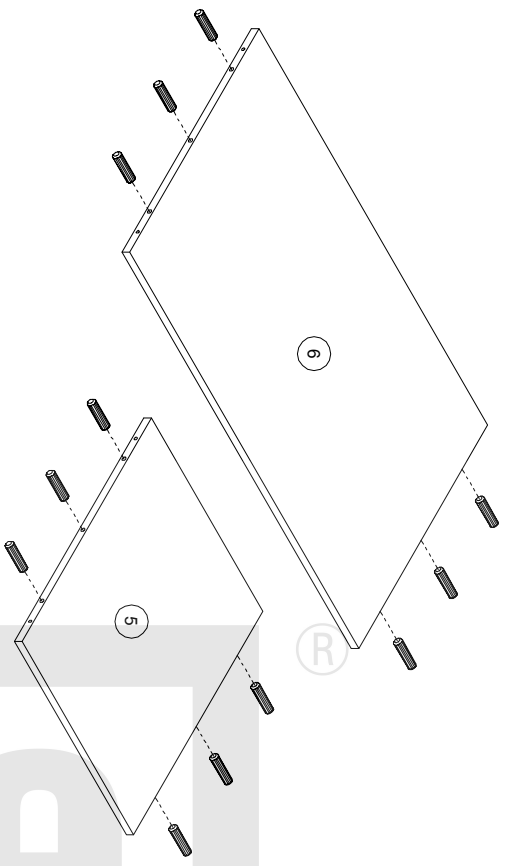
10



11



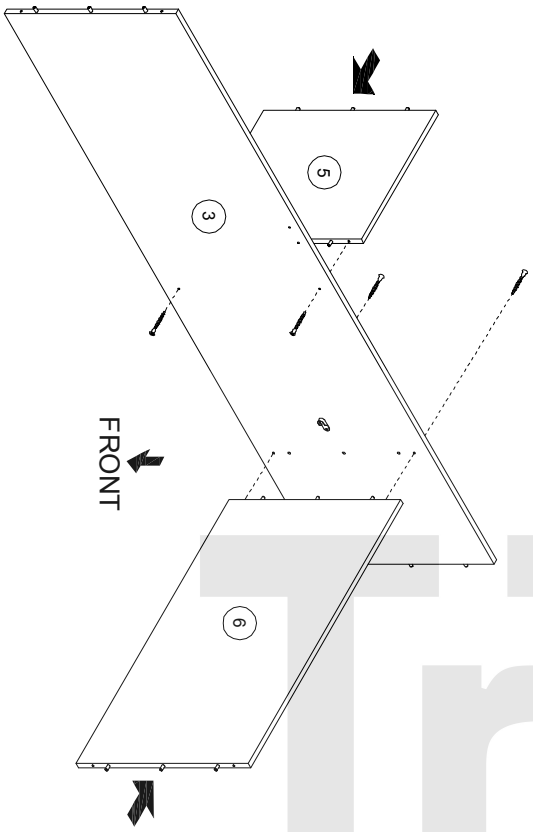
12



- A 8x32 X12

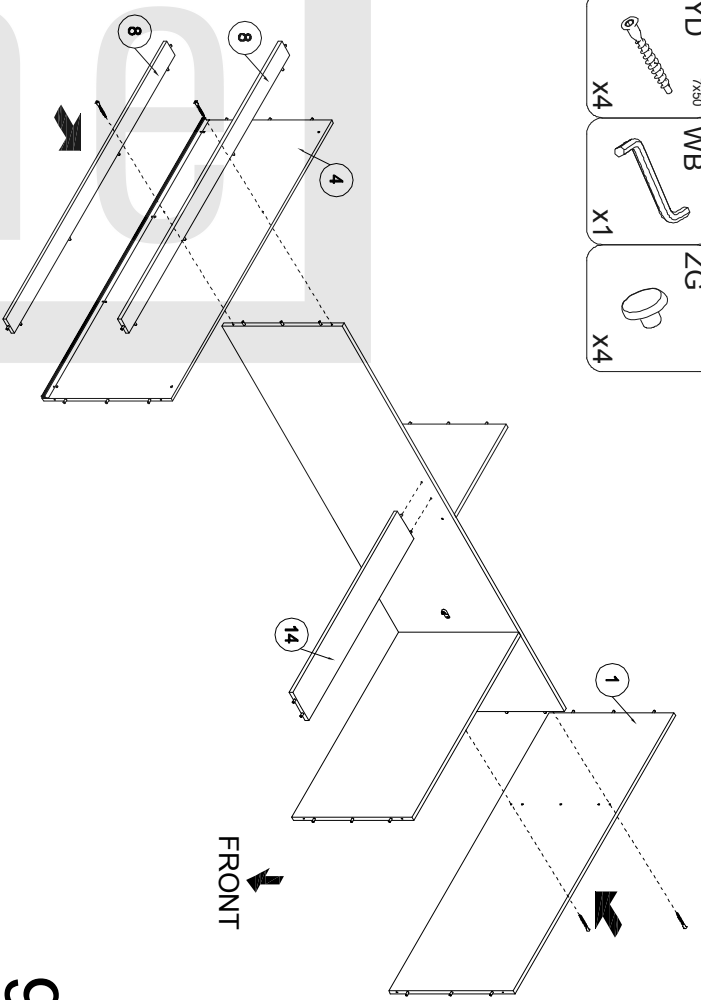
- YD 7x50 X4
- WB X1
- ZG X4

7



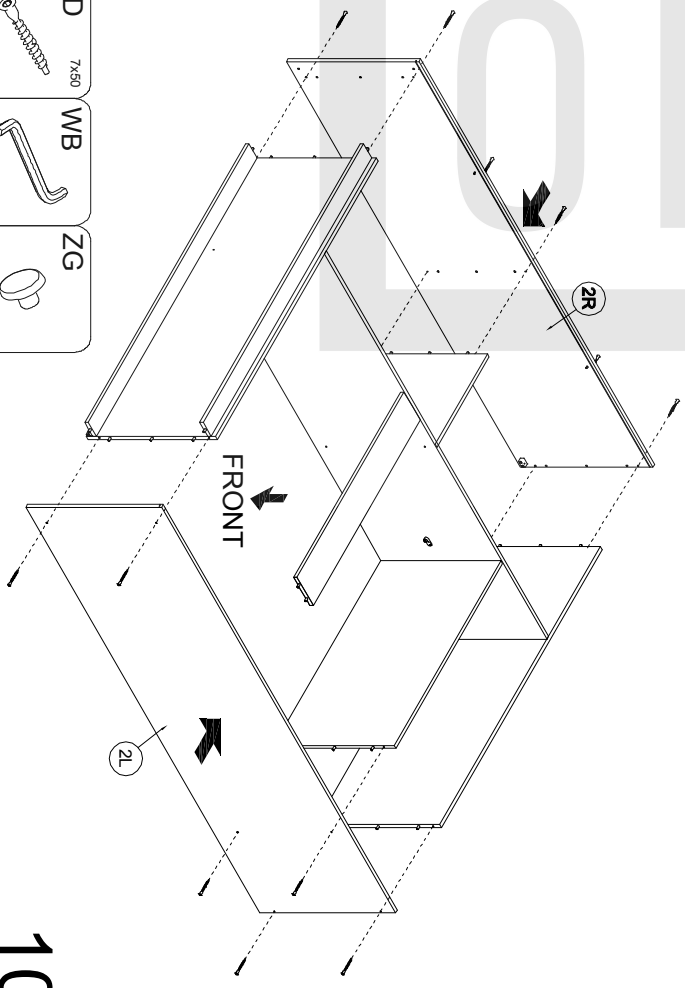
8

- YD 7x50 X4
- WB X1
- ZG X4

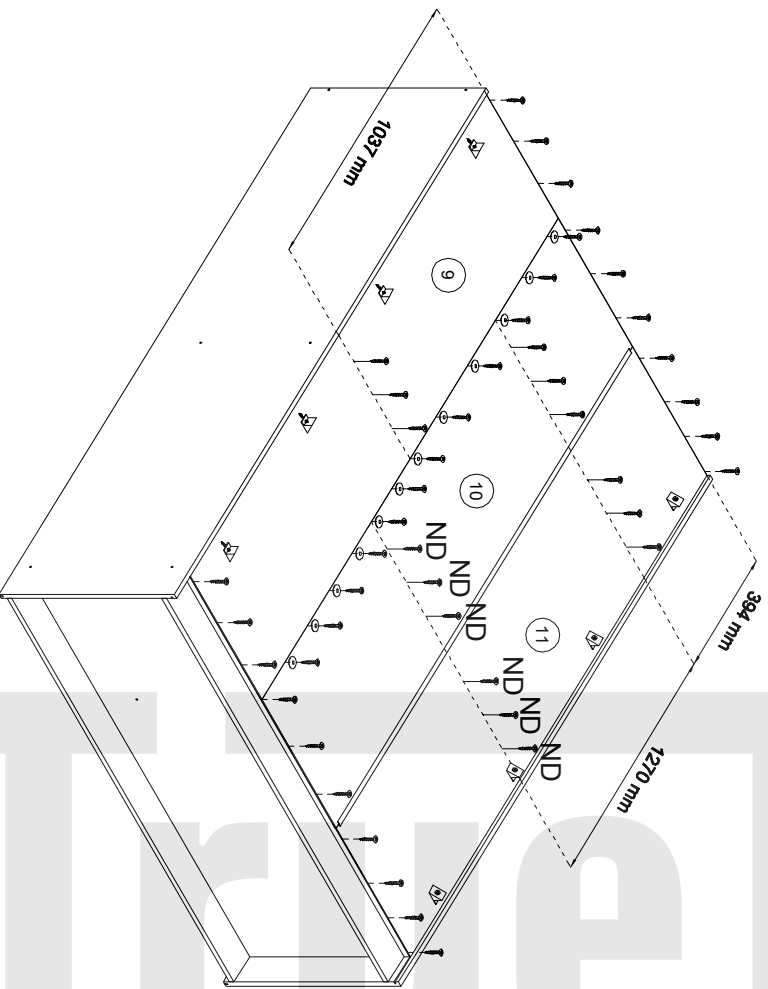


9

- YD 7x50 X12
- WB X1
- ZG X12



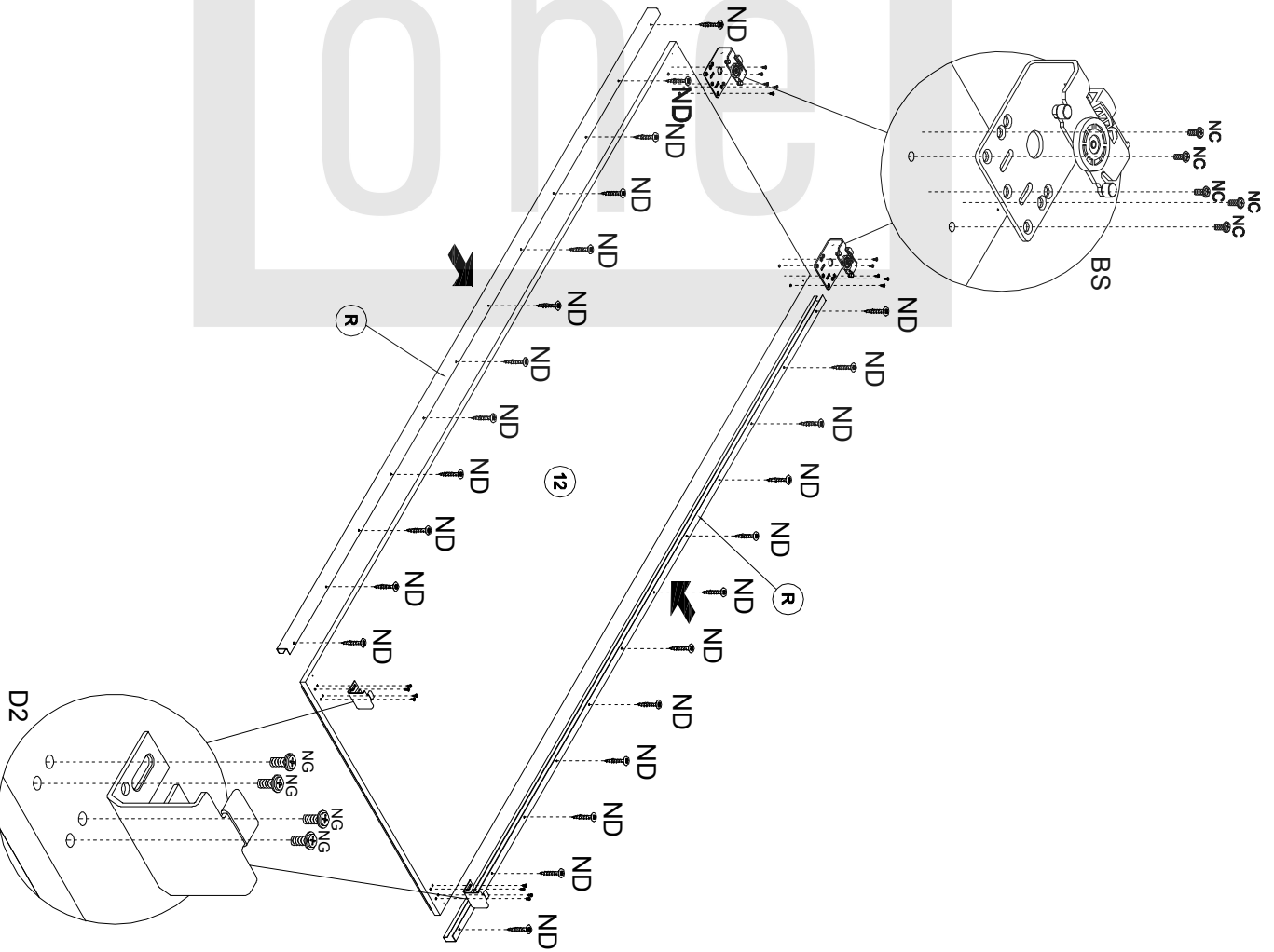
10



®

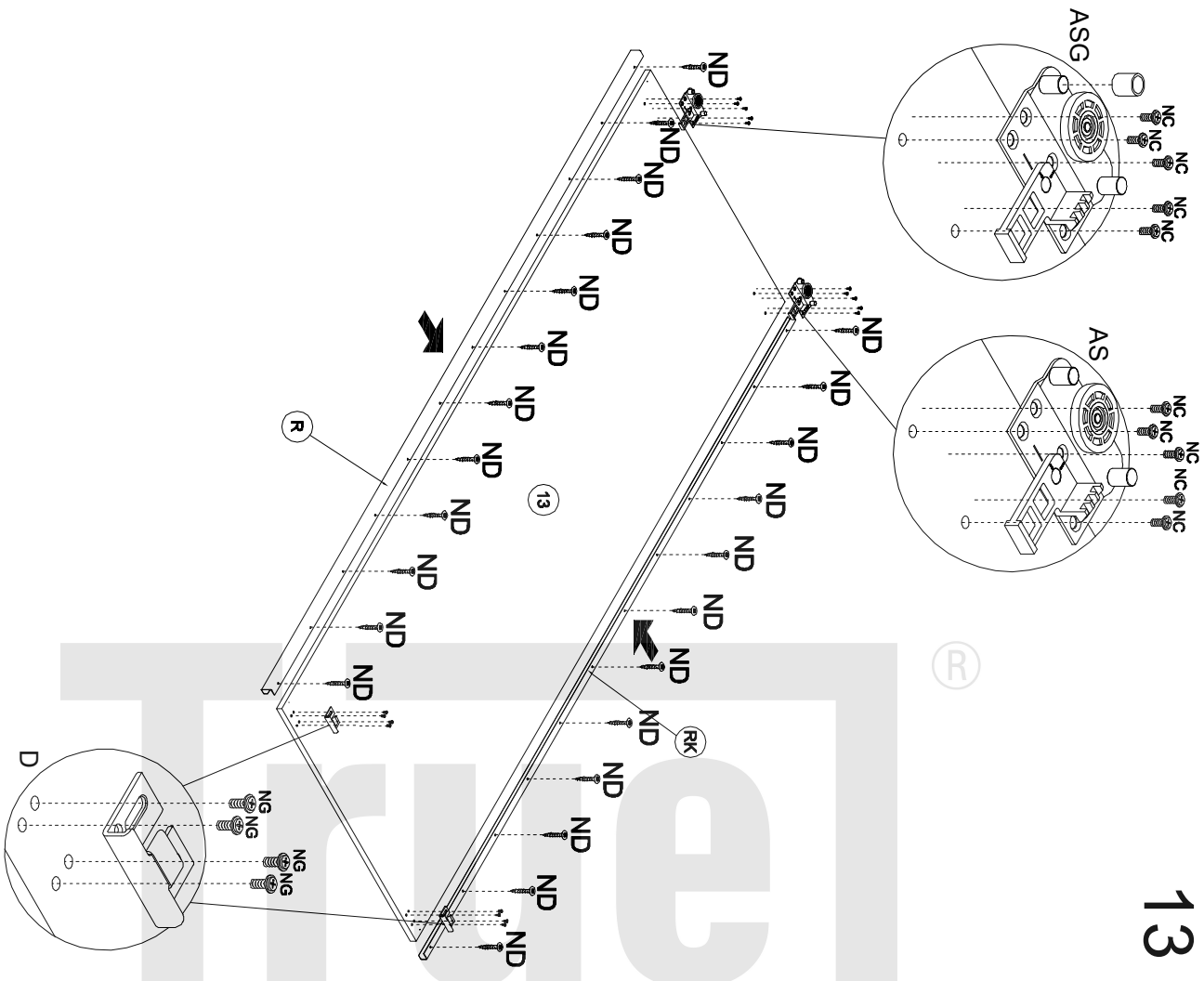
- X
X8
- ZC
X14
- S
L-20x42mm
X1
- N
3x20
X42
- ND
3.5x16
X6

11

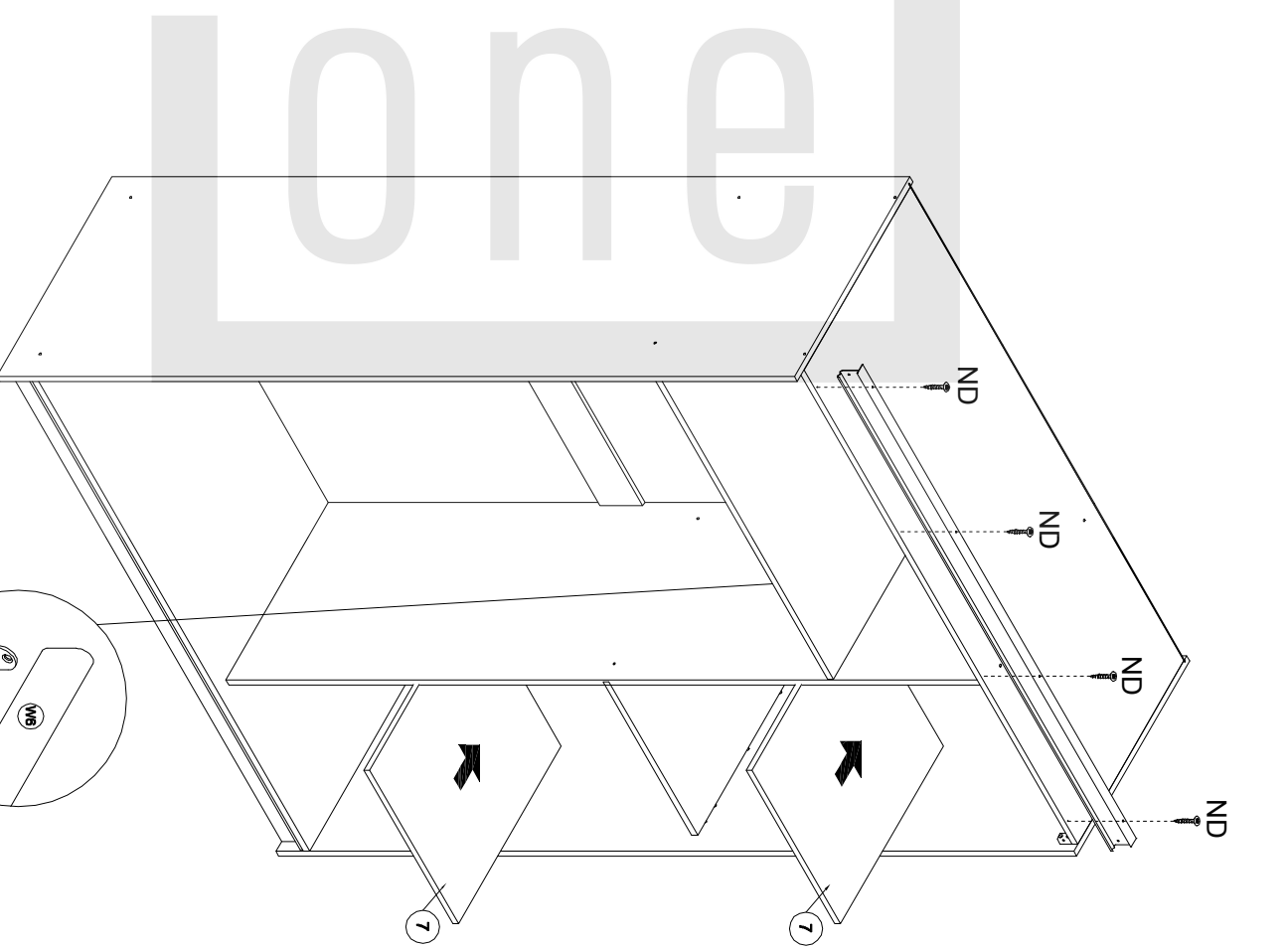


- BS
X2
- D2
X2
- R
X2
- NG
5x16
X8
- NC
4x16
X10
- ND
3.5x16
X24

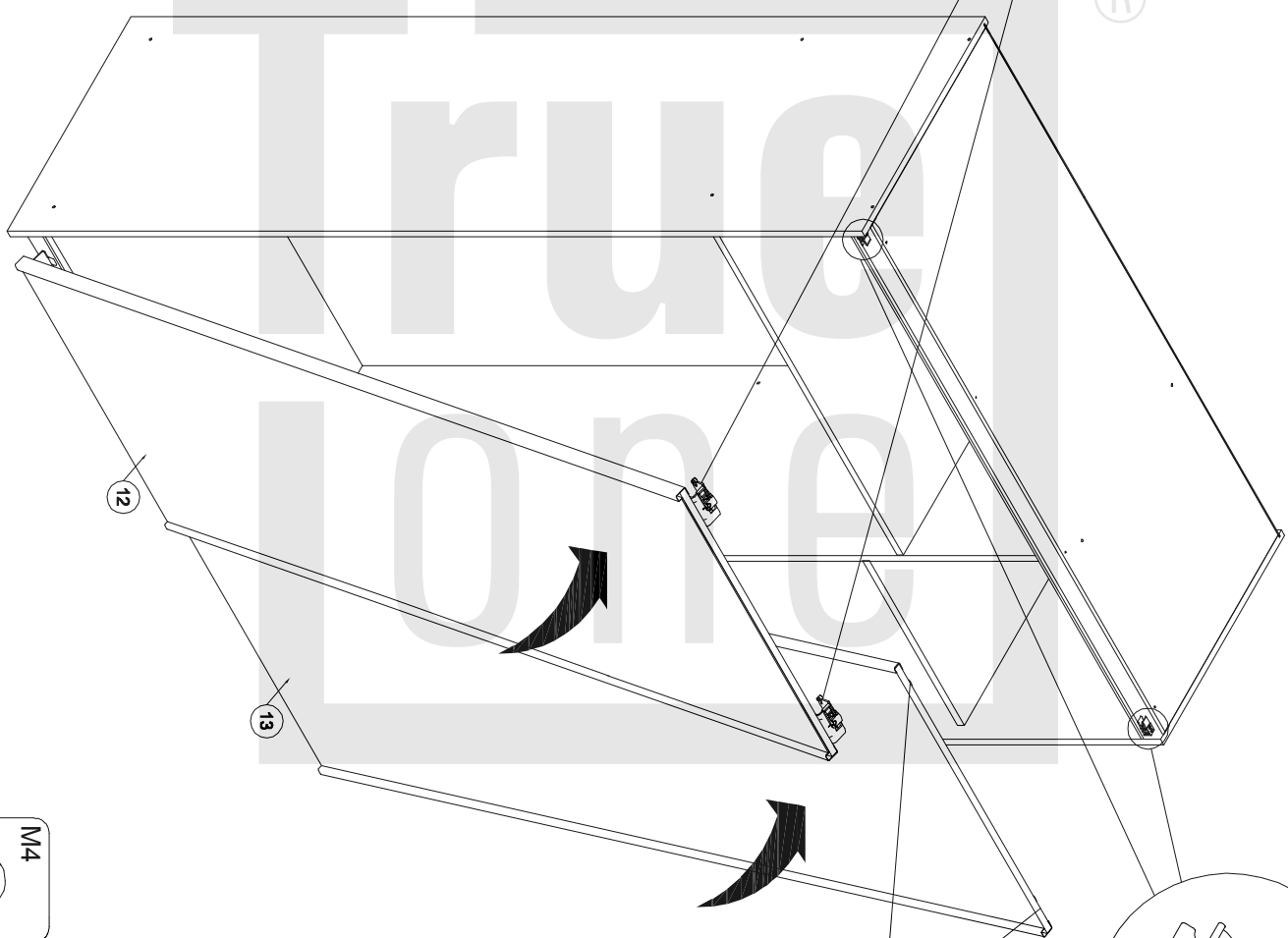
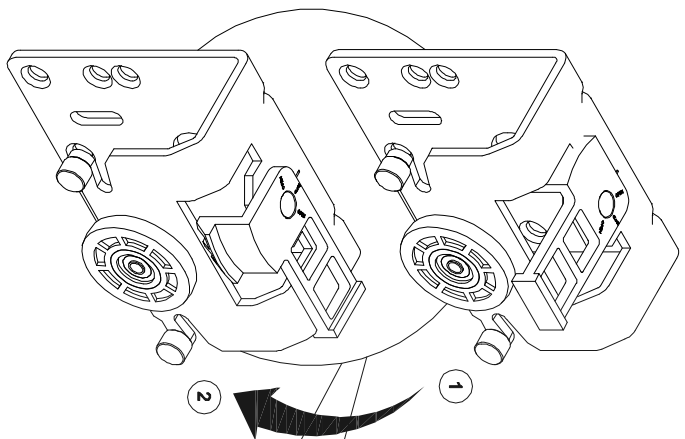
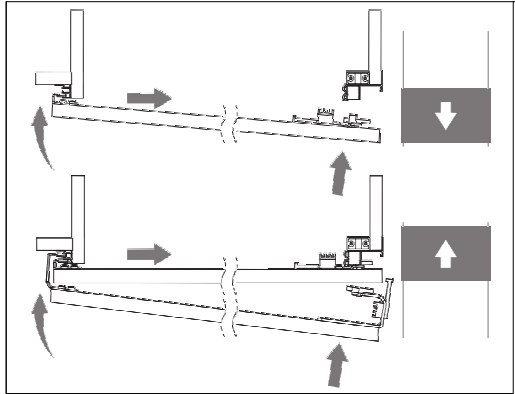
12



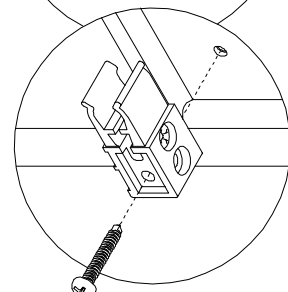
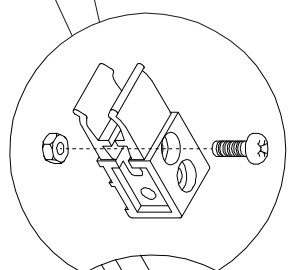
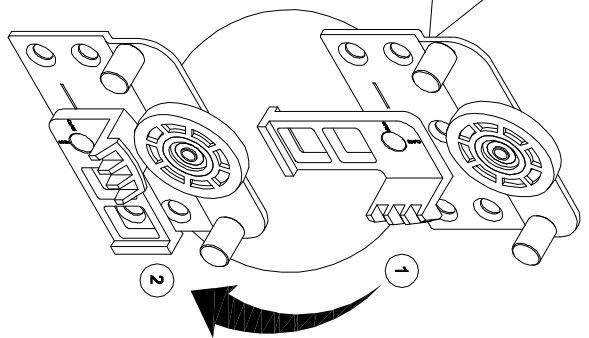
- D x2
- AS x1
- ASSG x1
- R x1
- RK x1
- NG 5x16 x8
- NC 4x16 x10
- ND 3.5x16 x24







- SG x1
- W6 L-997mm x1
- ND 3.5x16 x4



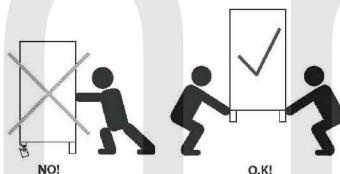
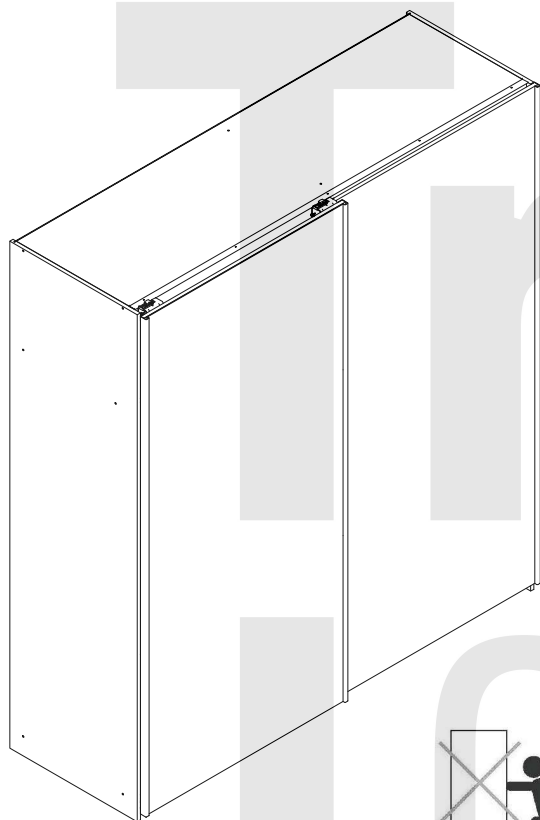
®



- M4 X2 
- C 4x12 X2 
- M 3.9x25 X2 
- HM X2 

SZAFA

MIKA 200 FRONTY



29.03.2017

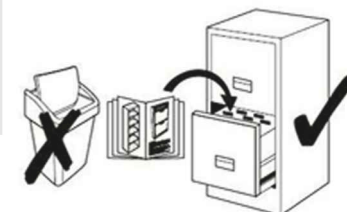
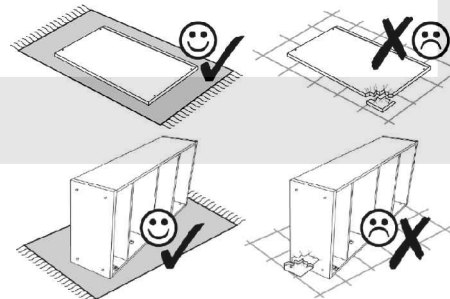
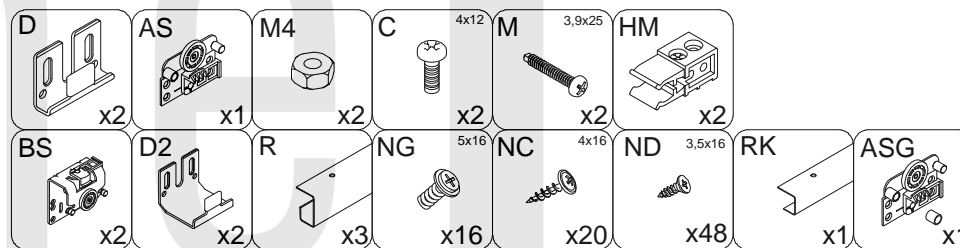
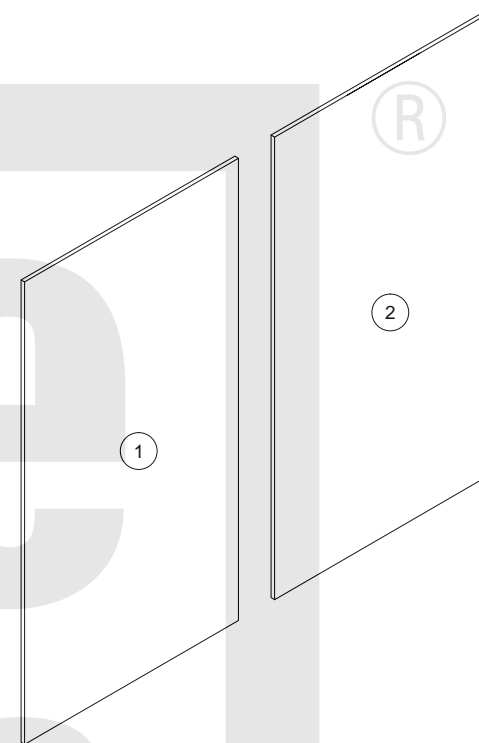
- (D) Montageanleitung
- (FR) Notice de montage
- (NL) Handleiding voor de montage
- (CZ) Montážní návod
- (HU) Szerelési útmutató
- (TR) Montaj talimati

- (GB) Assembly Instructions
- (IT) Istruzioni di montaggio
- (PL) Instrukcja montażu
- (SK) Návod na montáž
- (RO) Instrucțiuni de montaj
- (RU) Инструкции по монтажу

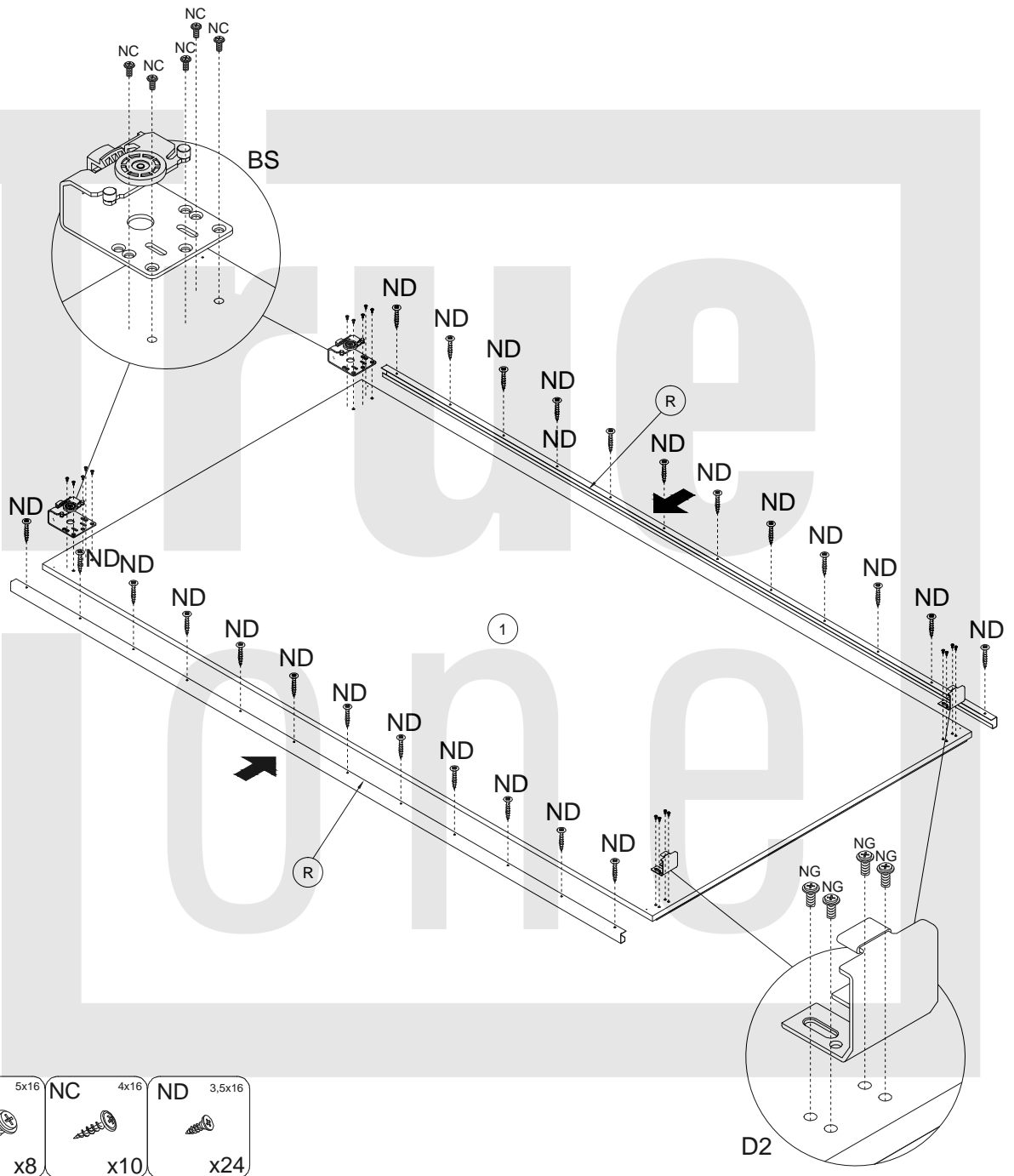




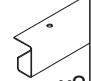



2-2,5

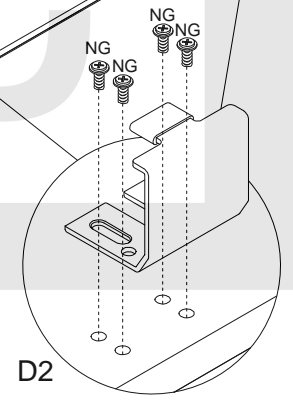
1

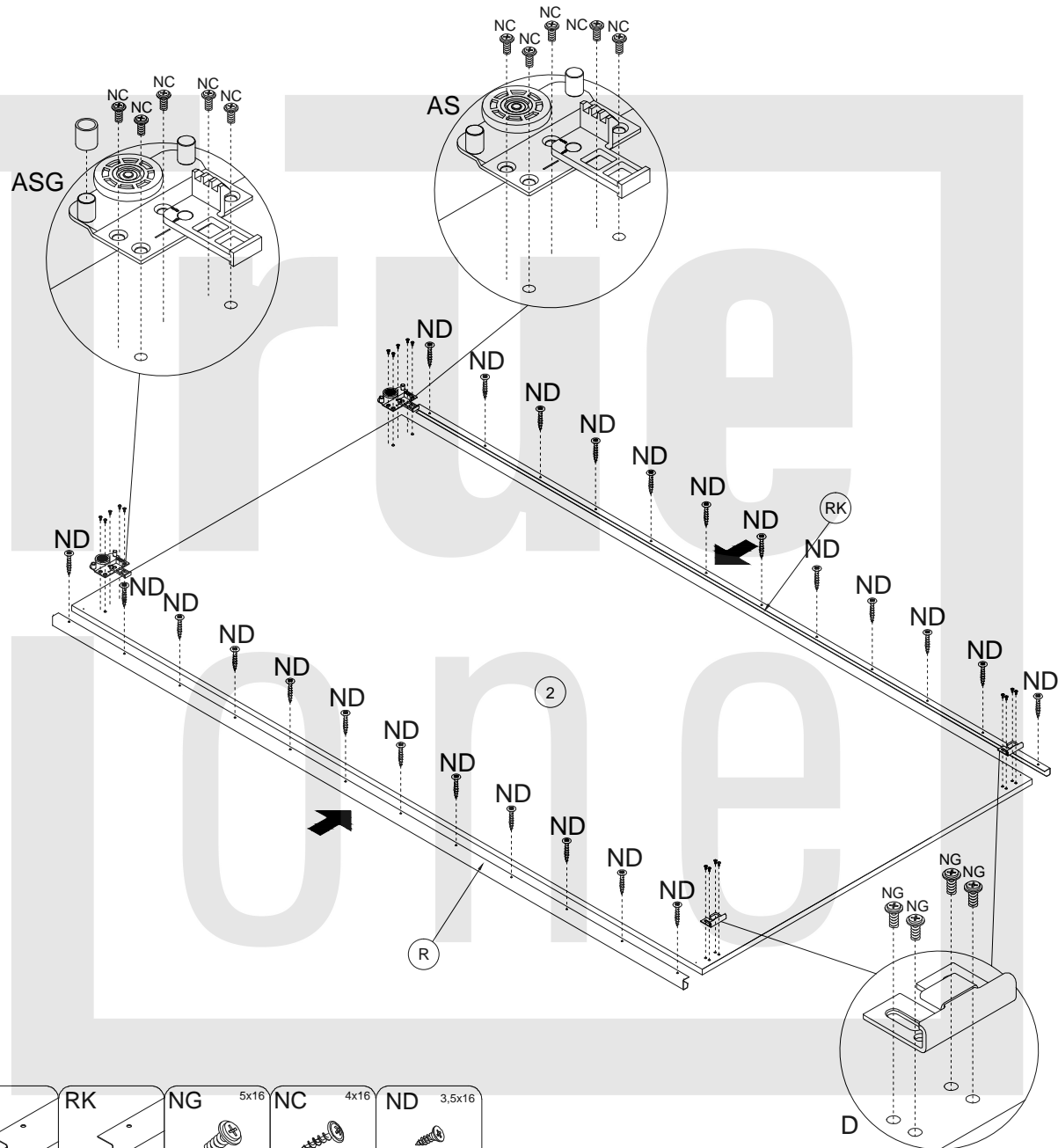


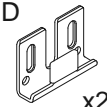
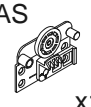
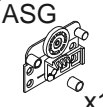
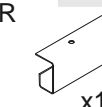
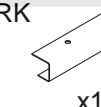



2

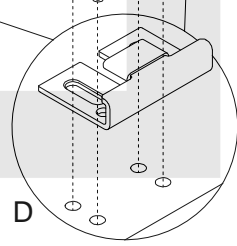


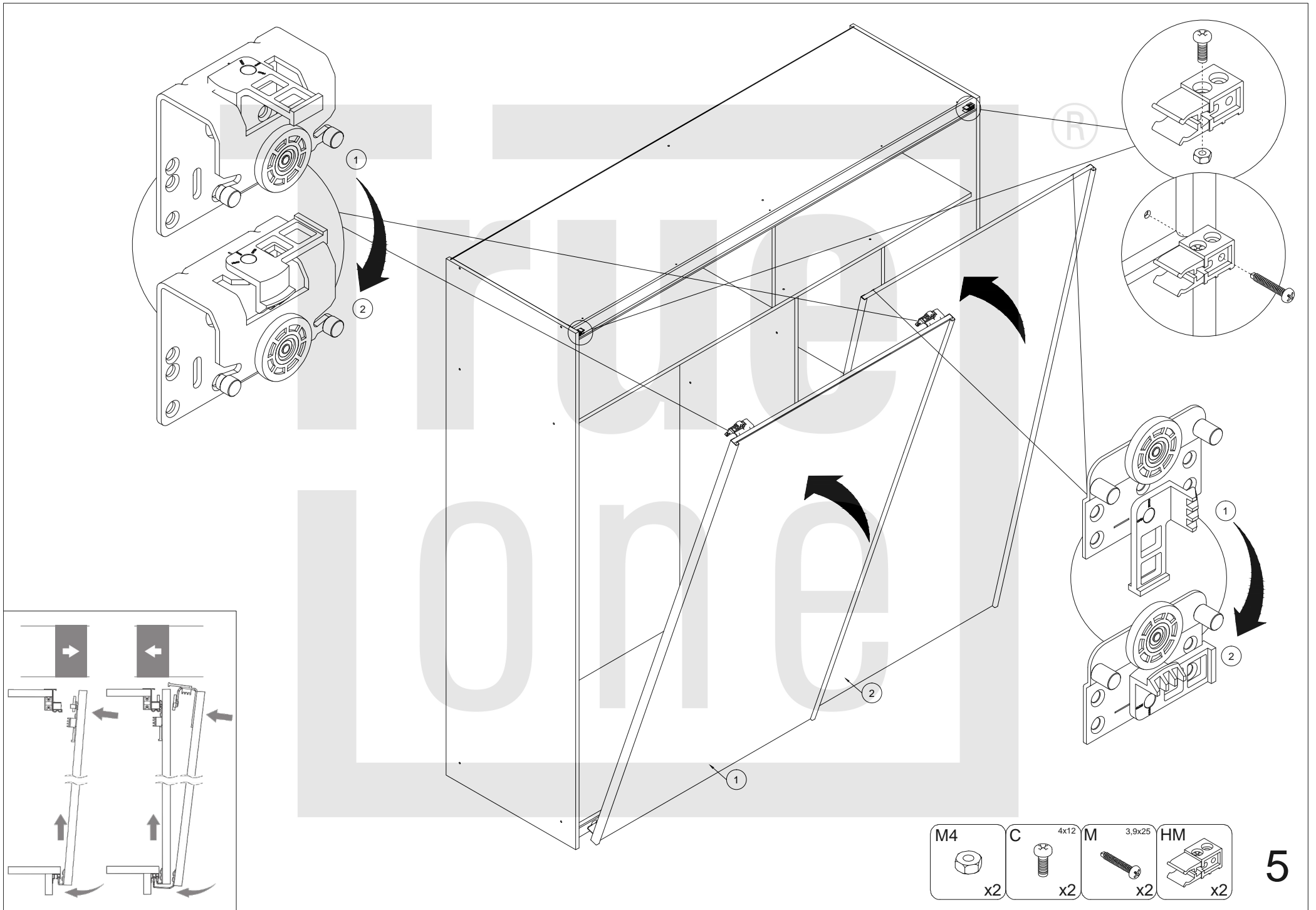
BS  x2	D2  x2	R  x2	NG 5x16  x8	NC 4x16  x10	ND 3,5x16  x24
--------------------------------------------------------------------------------------------------------	--------------------------------------------------------------------------------------------------------	-------------------------------------------------------------------------------------------------------	-------------------------------------------------------------------------------------------------------------	--------------------------------------------------------------------------------------------------------------	----------------------------------------------------------------------------------------------------------------


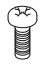






- | | | | | | | | |
|---------------------------------------------------------------------------------------|----------------------------------------------------------------------------------------|-----------------------------------------------------------------------------------------|---------------------------------------------------------------------------------------|----------------------------------------------------------------------------------------|---------------------------------------------------------------------------------------------|---------------------------------------------------------------------------------------------|------------------------------------------------------------------------------------------------|
|  D |  AS |  ASG |  R |  RK |  NG 5x16 |  NC 4x16 |  ND 3,5x16 |
| x2 | x1 | x1 | x1 | x1 | x8 | x10 | x24 |

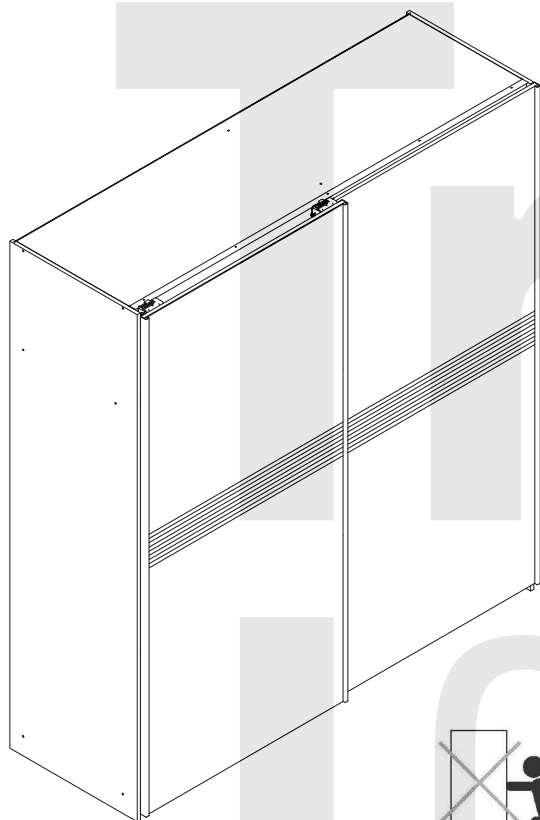




M4	C 4x12	M 3,9x25	HM
			
x2	x2	x2	x2

SZAFKA

MIKA V, VI



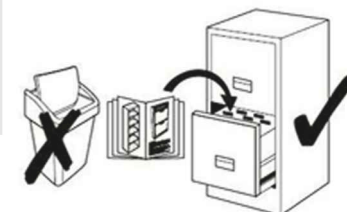
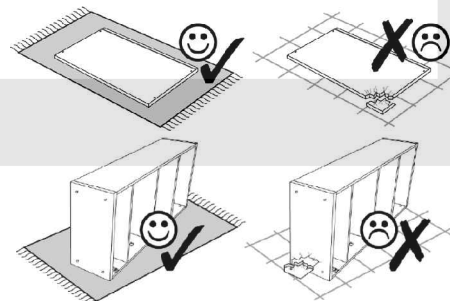
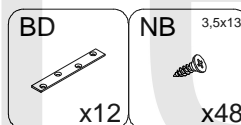
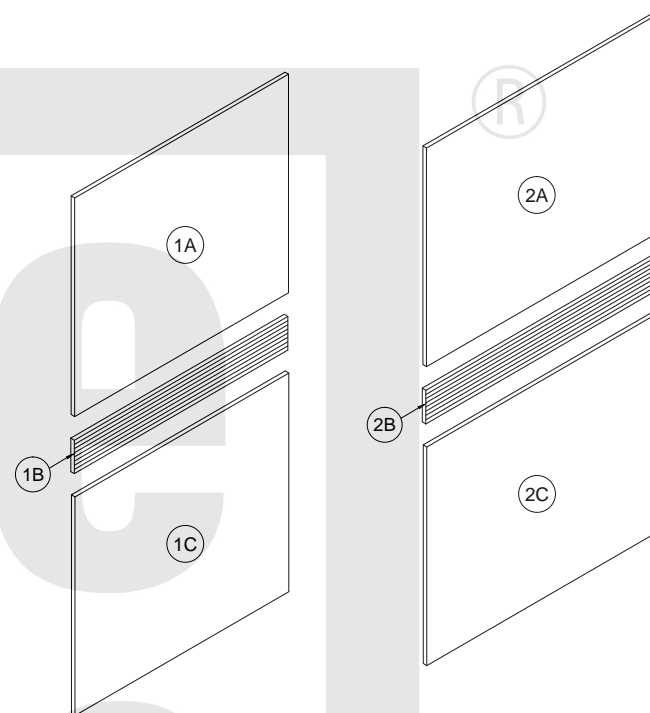
29.03.2017

- | | |
|----------------------------------|------------------------------|
| (D) Montageanleitung | (GB) Assembly Instructions |
| (FR) Notice de montage | (IT) Istruzioni di montaggio |
| (NL) Handleiding voor de montage | (PL) Instrukcja montażu |
| (CZ) Montážní návod | (SK) Návod na montáž |
| (HU) Szerelési útmutató | (RO) Instrucțiuni de montaj |
| (TR) Montaj talimatı | (RU) Инструкции по монтажу |

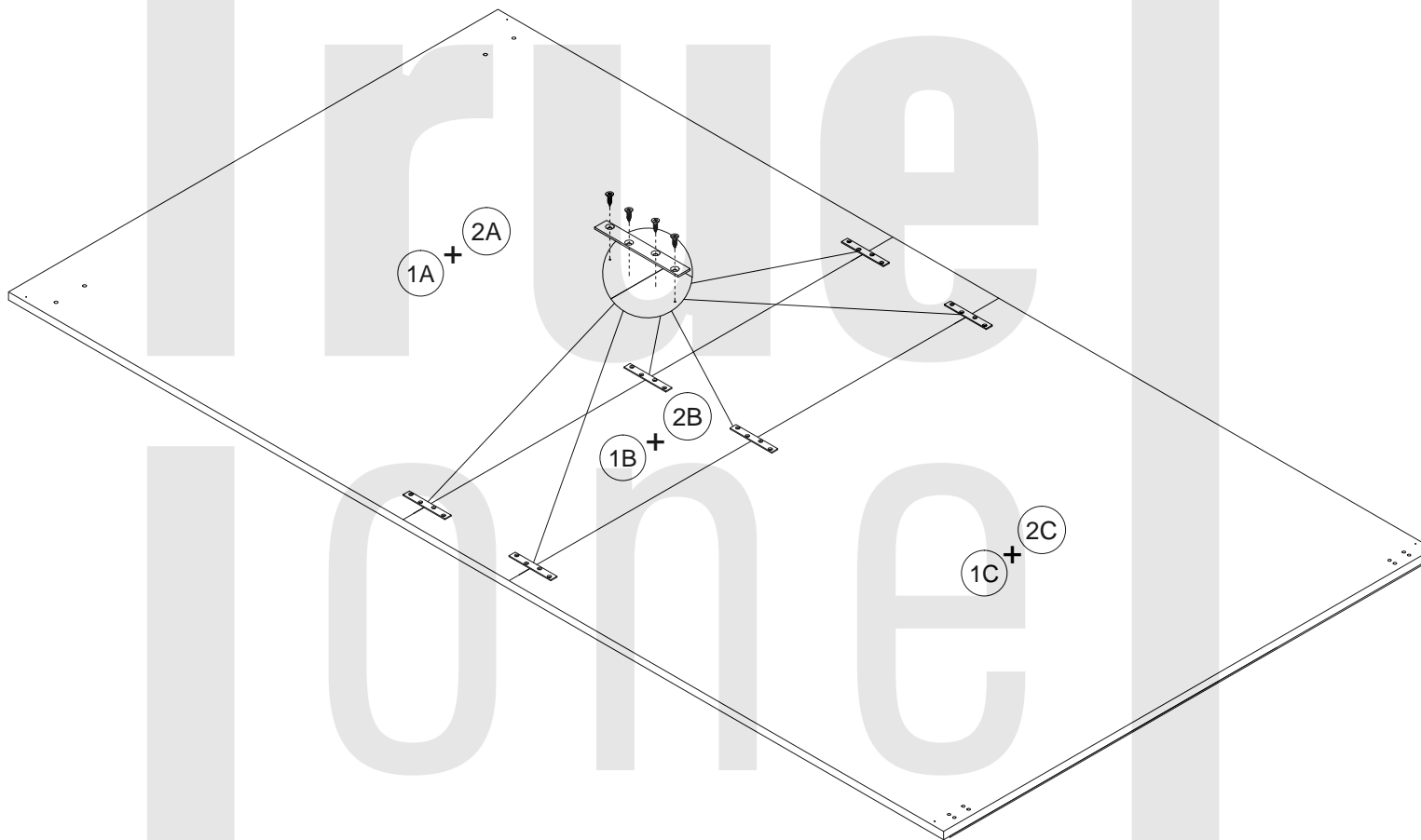




2-2,5

1



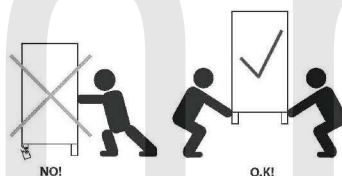
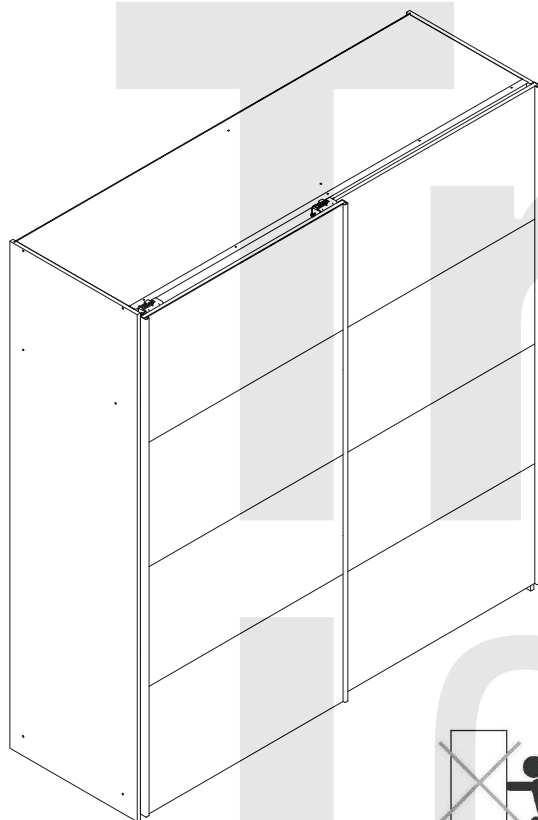
2



BD	NB 3,5x13
	
x12	x48

SZAFKA

MIKA VII, MULTI



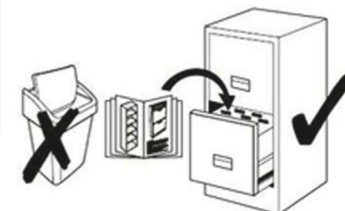
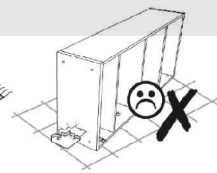
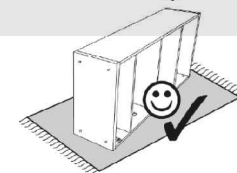
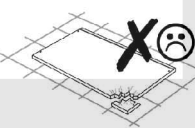
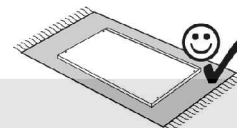
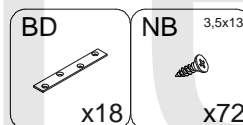
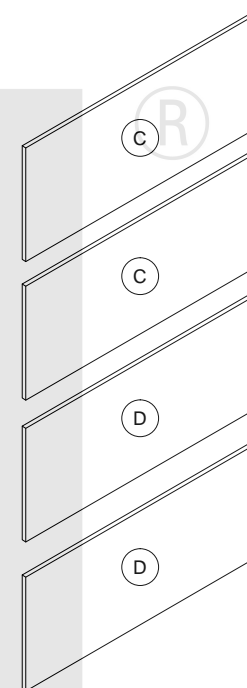
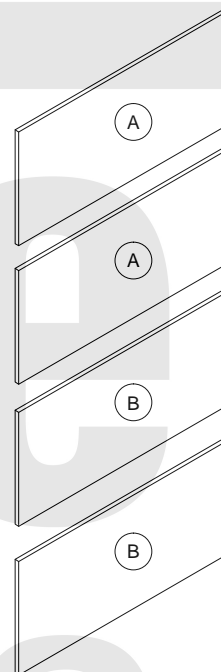
29.03.2017

- | | |
|----------------------------------|------------------------------|
| (D) Montageanleitung | (GB) Assembly Instructions |
| (FR) Notice de montage | (IT) Istruzioni di montaggio |
| (NL) Handleiding voor de montage | (PL) Instrukcja montażu |
| (CZ) Montážní návod | (SK) Návod na montáž |
| (HU) Szerelési útmutató | (RO) Instrucțiuni de montaj |
| (TR) Montaj talimatı | (RU) Инструкции по монтажу |



2-2,5

1



2

