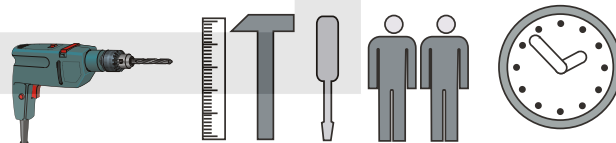
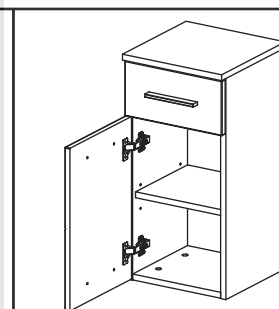
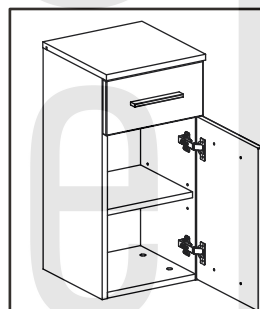
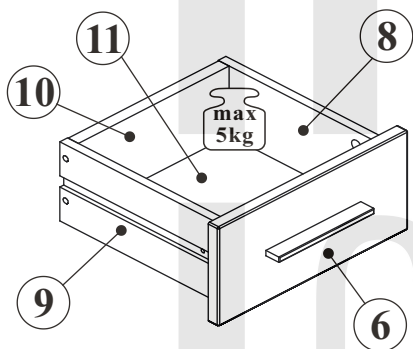
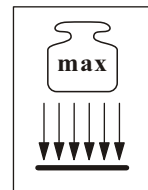
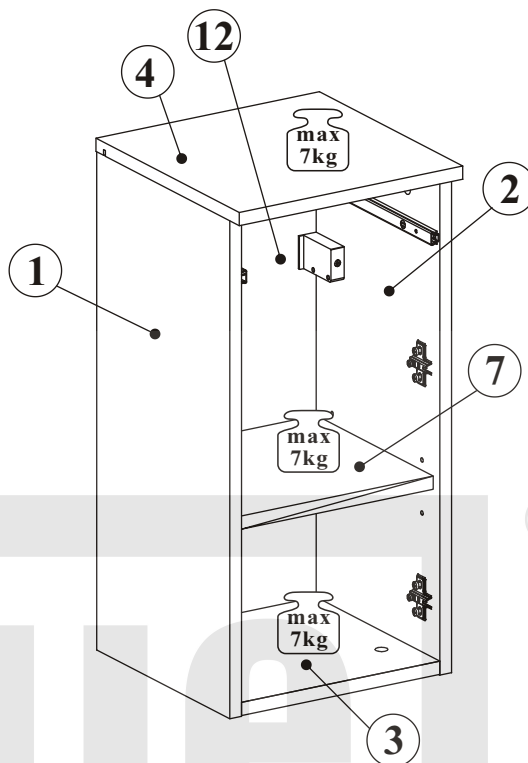
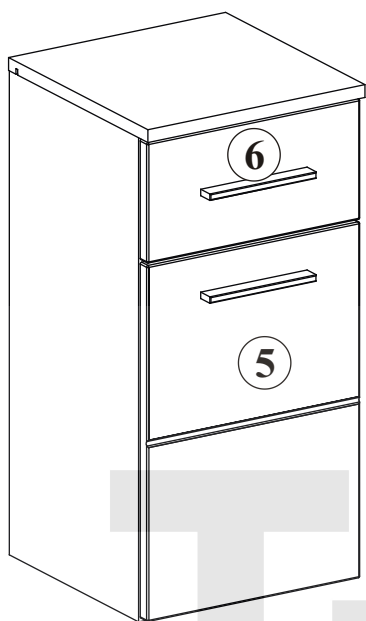
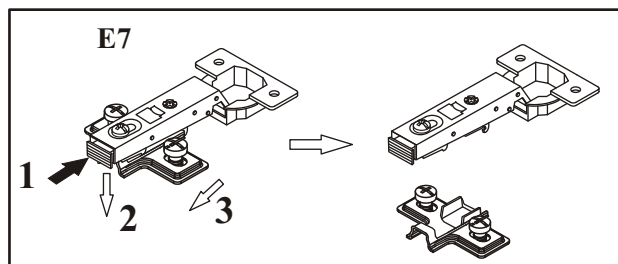
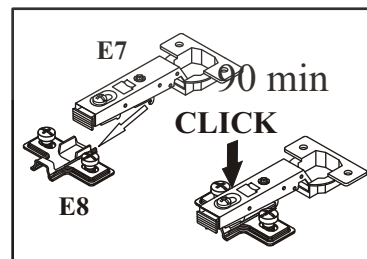


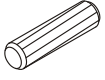
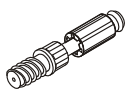




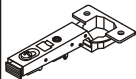


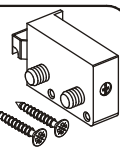
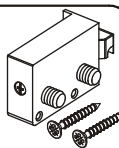
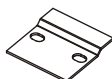

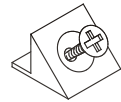
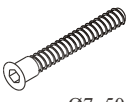


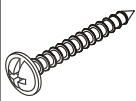
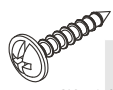





# TWIST KJ 810

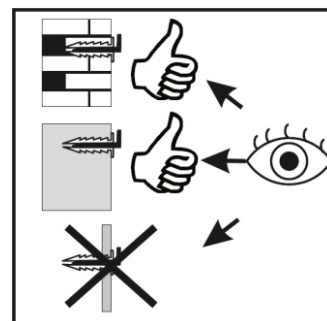
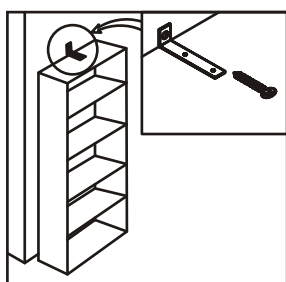
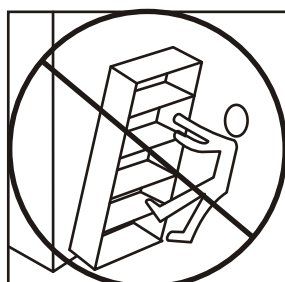
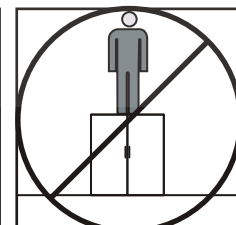
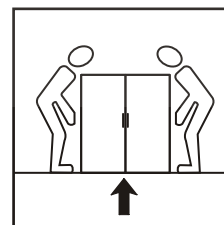
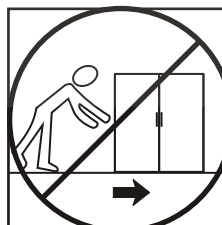
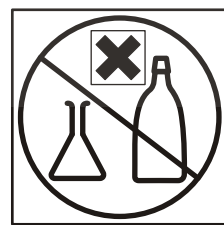
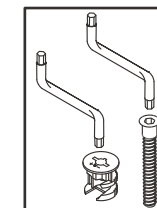
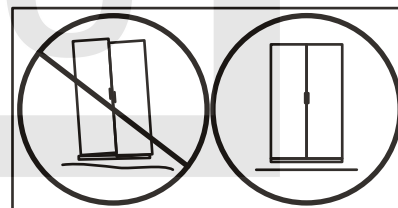
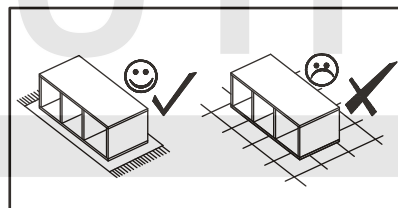
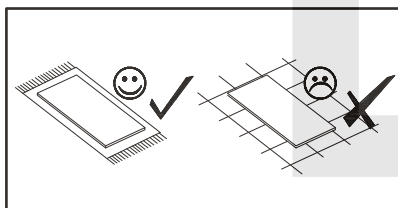
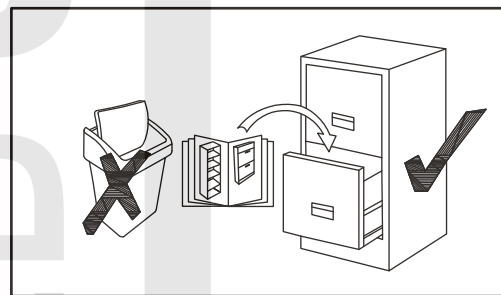
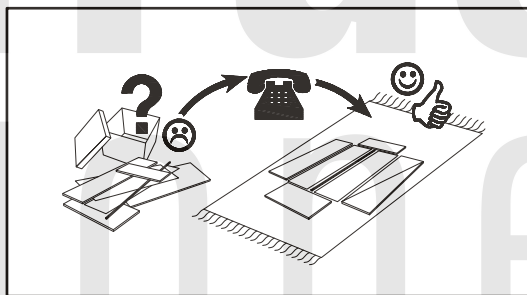
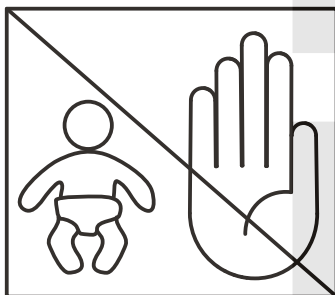
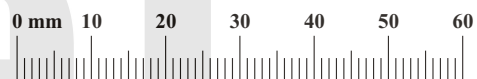


NO	Dim.		Col.-No	Qty
1	603	284	1	1
2	603	284	1	1
3	268	284	1	1
4	302	306	1	1
5	296	443	1	1
6	296	150	1	1
7	268	250	1	1
8	250	120	1	1
9	250	120	1	1
10	235	106	1	1
11	245	255	1	1
12	598	280	1	1



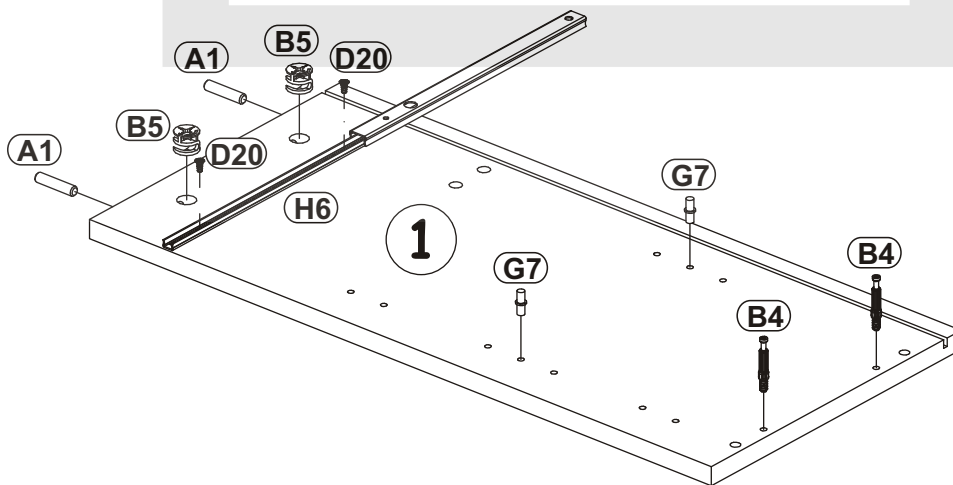
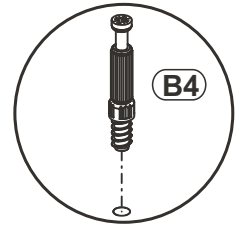
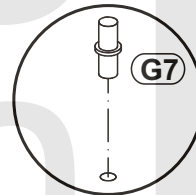
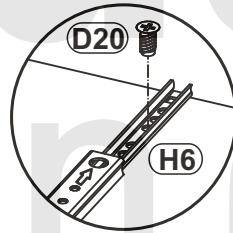
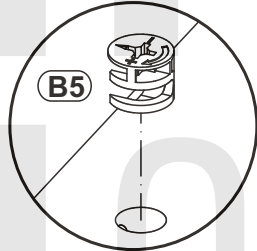
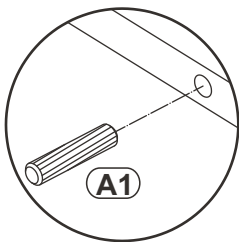
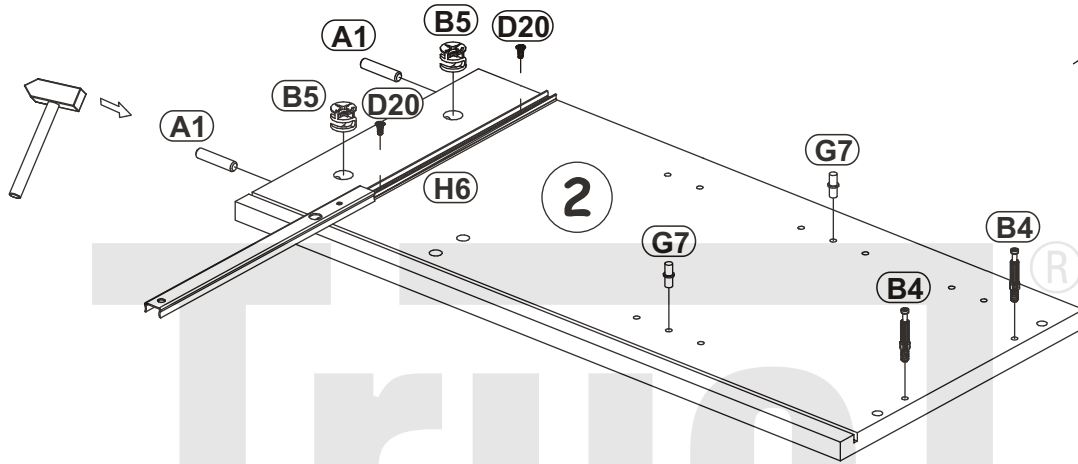
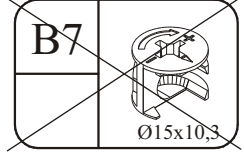
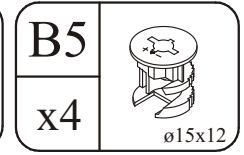
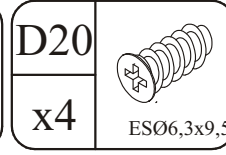
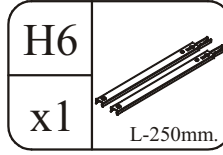
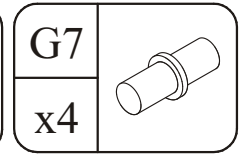
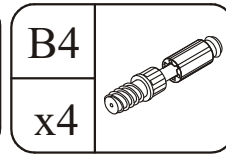
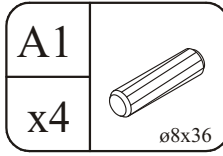
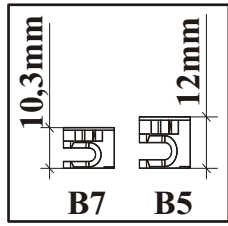
TWIST KJ 810

A1 x10  ø8x36	B4 x10 	B5 x8  ø15x12	G5 x8 	B7 x2  Ø15x10,3	G8 x2  Ø20
E7 x2 	E8 x2 	D10 x4  USØ3,5x13	ZXL x1 	ZXP x1 	SZ7 x2 
G7 x4 	S1 x7 	B11 x4  Ø7x50	G4 x4 	BG1 x2  L-148mm.	UP12 x4  UPØ3,5x30
UP13 x3  UPØ3x16	Z2 x6  Ø5	H6 x1  L-250mm.	D20 x4  ESØ6,3x9,5	D18 x2  M4x9	G2 x1 



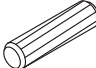
TWIST KJ 810

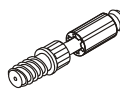
1




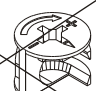
TWIST KJ 810



2

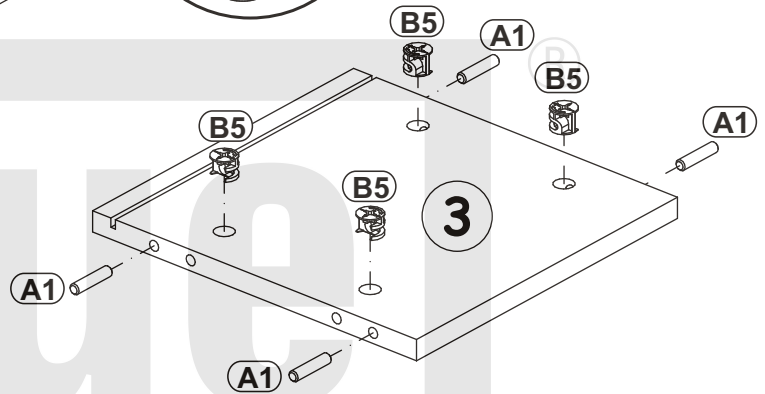
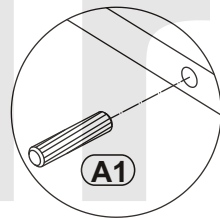
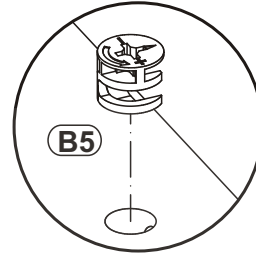
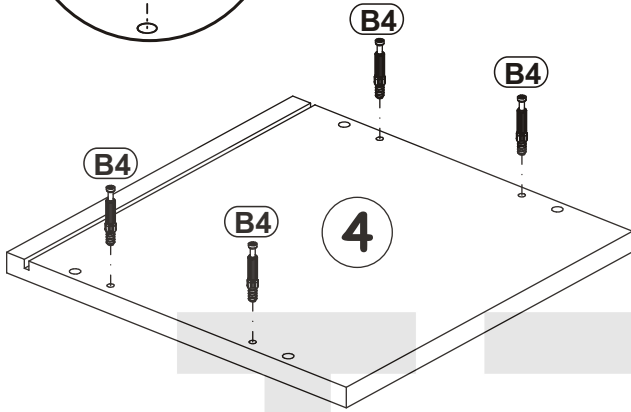
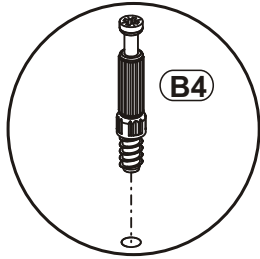
A1	
x4	ø8x36

B4	
x4	



B5	
x4	ø15x12

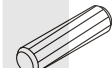
<del>B7</del>	<del></del>
	<del>Ø15x10,3</del>

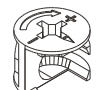
	
10,3mm	12mm
B7	B5




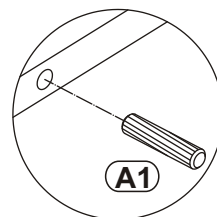
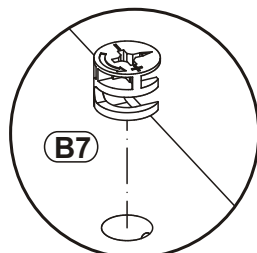
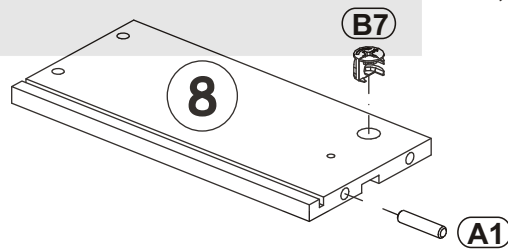
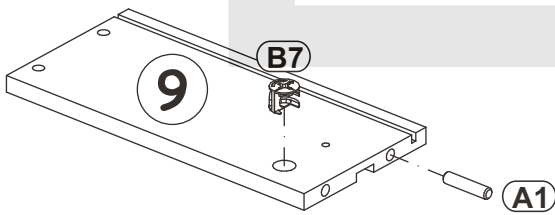
3

	
10,3mm	12mm
B7	B5

A1	
x2	ø8x36

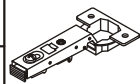
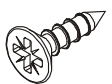
B7	
x2	Ø15x10,3

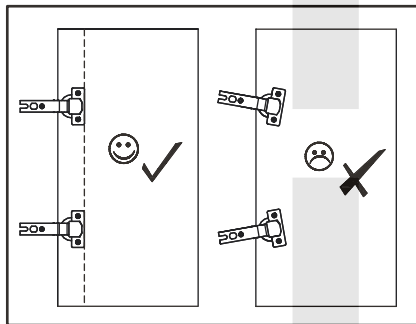
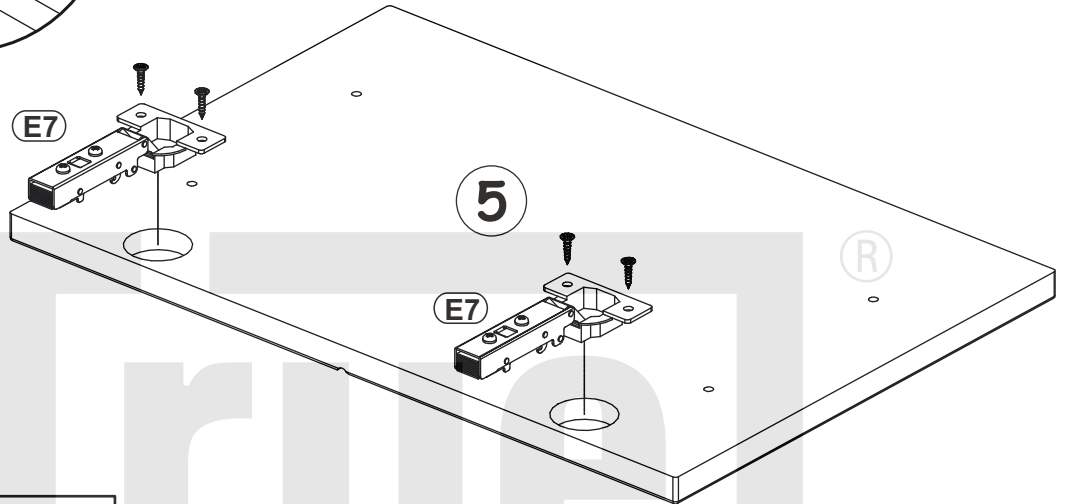
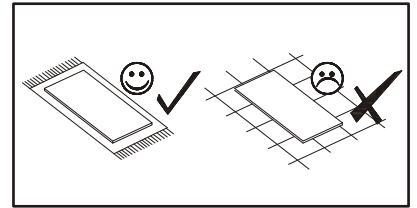
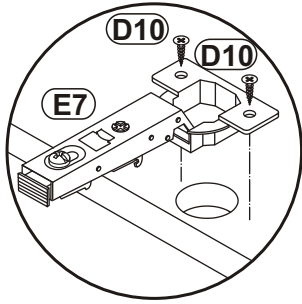
<del>B5</del>	<del></del>
	<del>ø15x12</del>



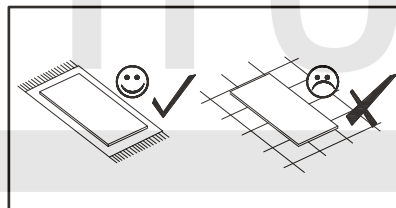
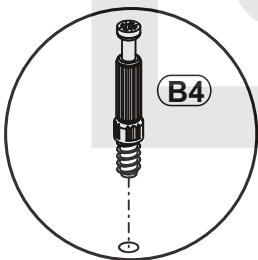


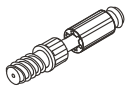
4

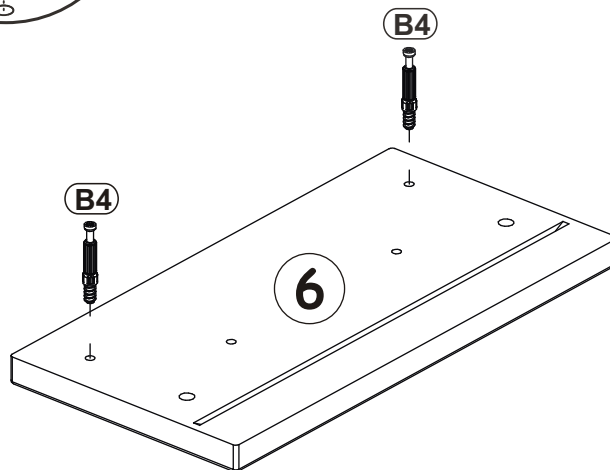
E7		D10	
x2		x4	USØ3,5x13



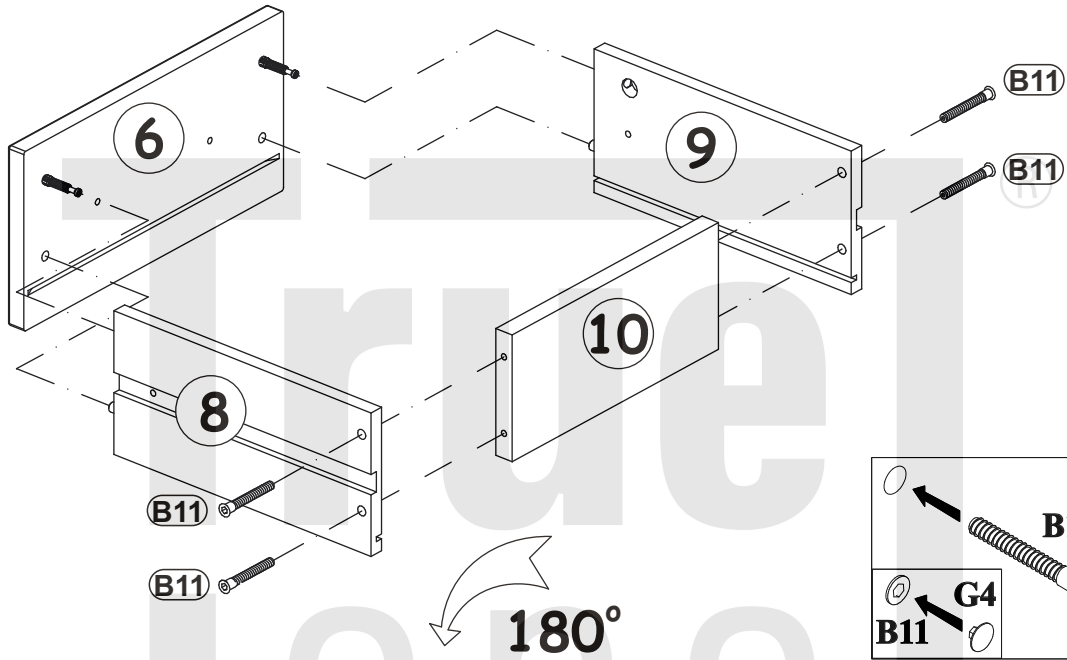
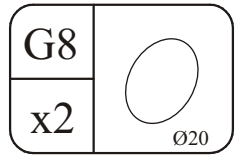
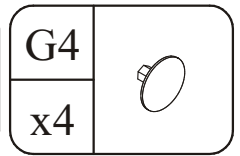
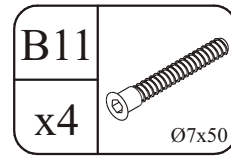
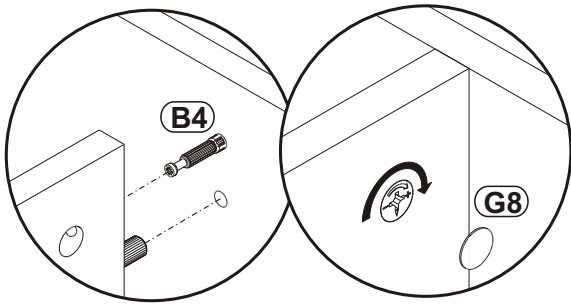
5



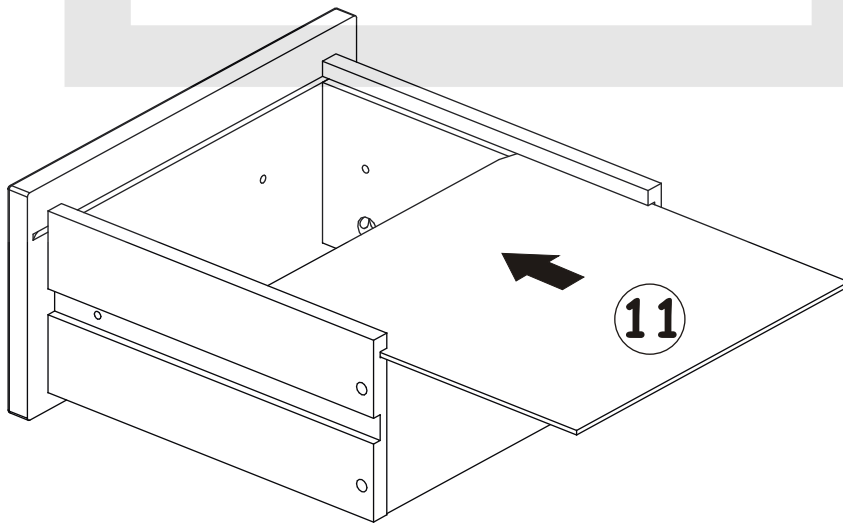
B4	
x2	




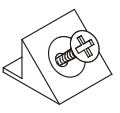
6

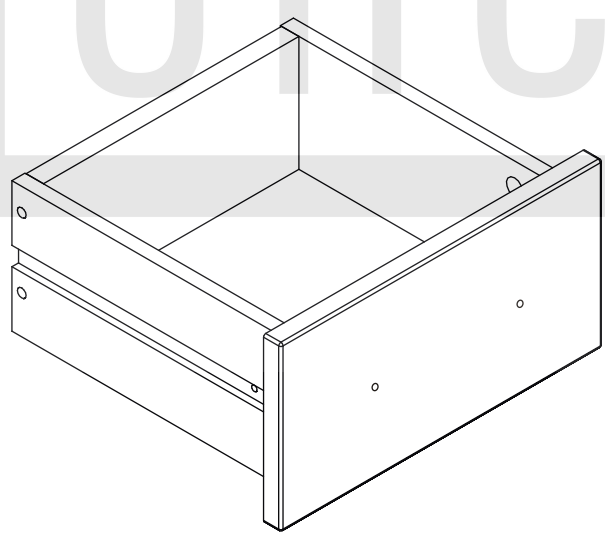
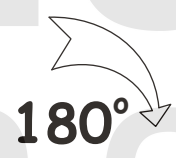
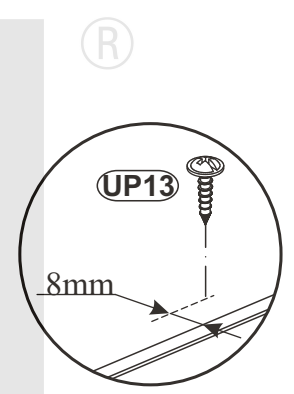
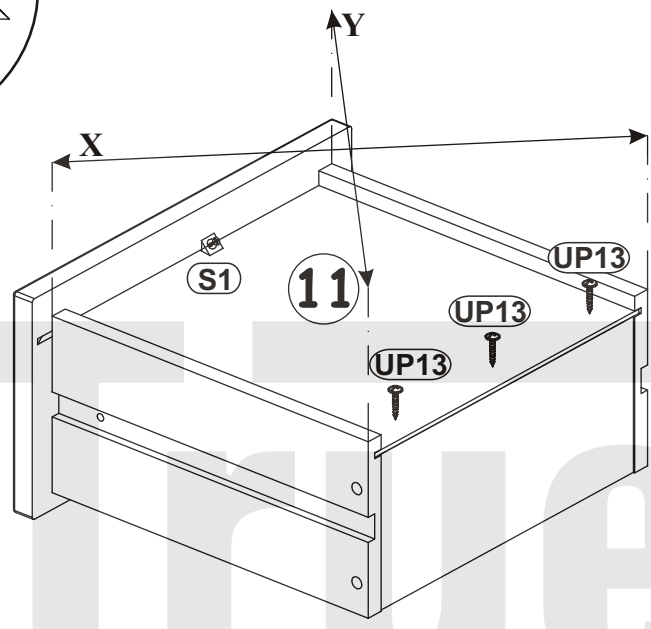
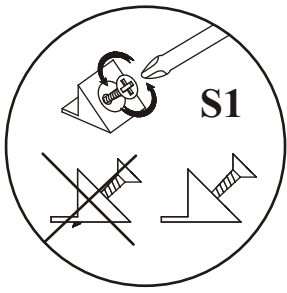



7



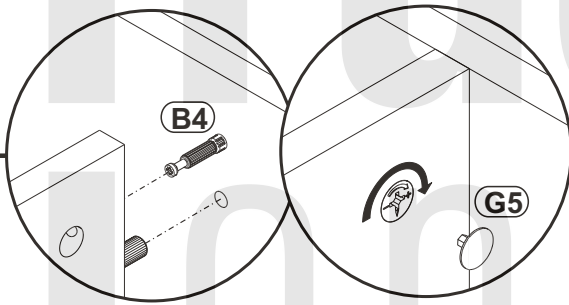
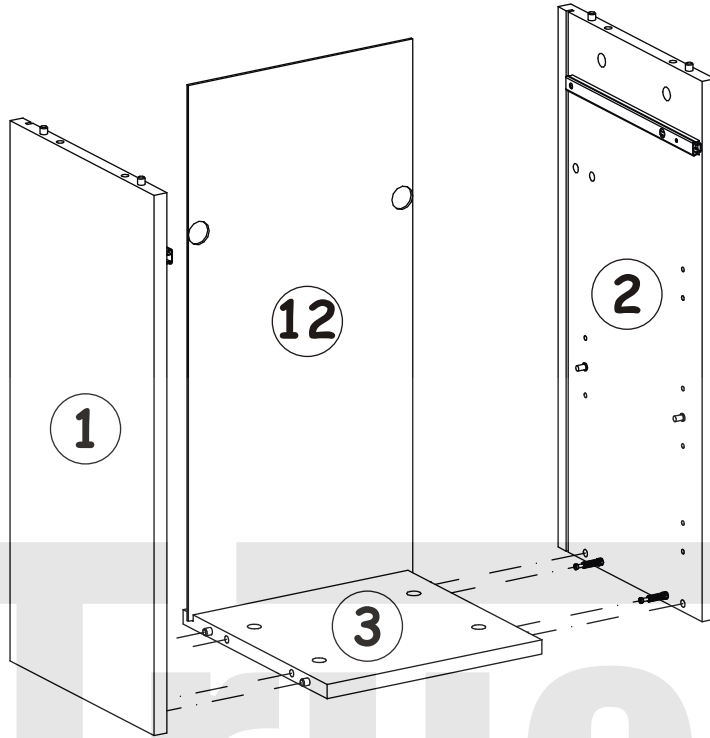
8

UP13		S1	
x3	UPØ3x16	x1	

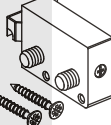
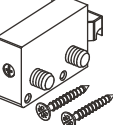



G5	
x4	

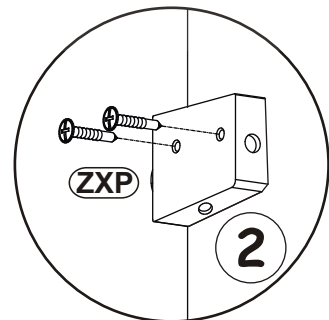
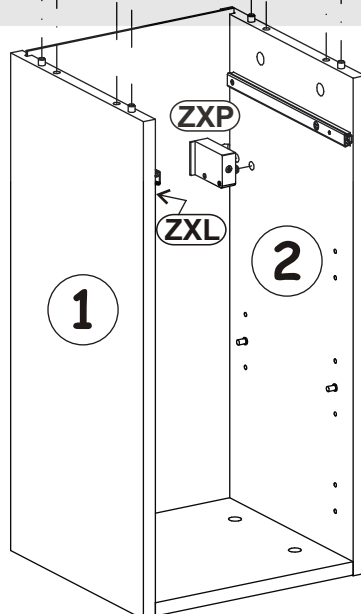
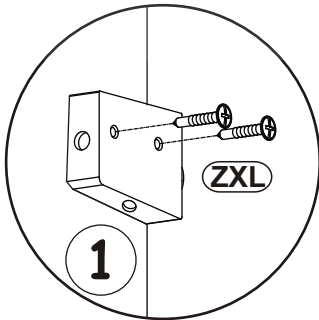
9



10

ZXL		ZXP	
x1		x1	

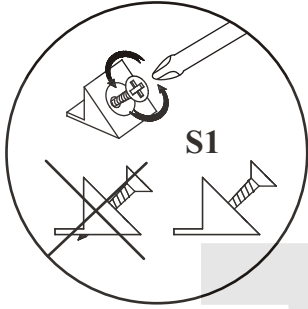
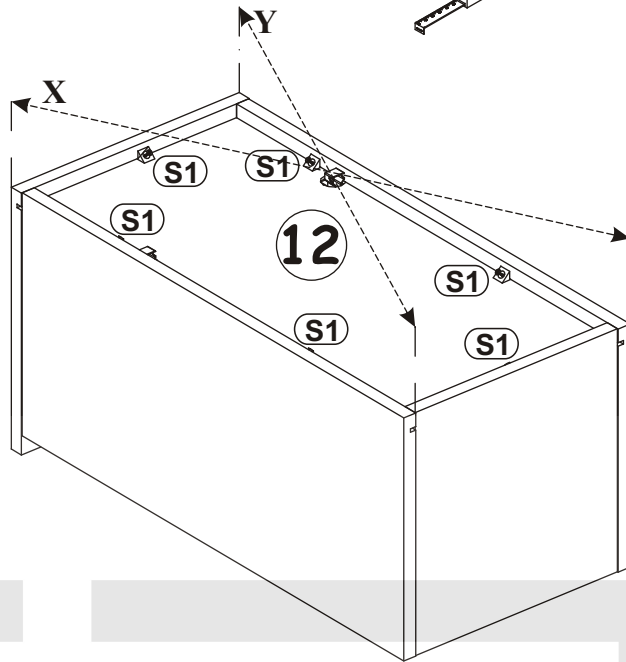
G5	
x4	



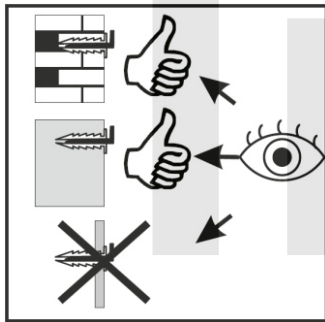


S1	
x6	

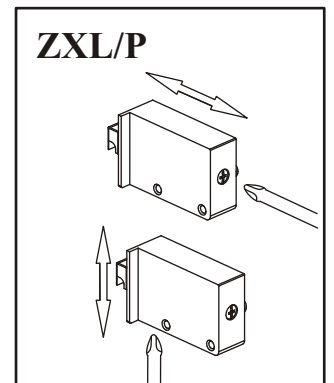
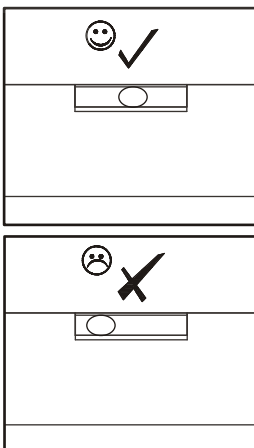
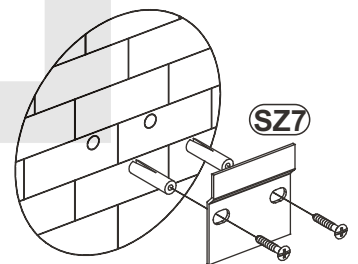
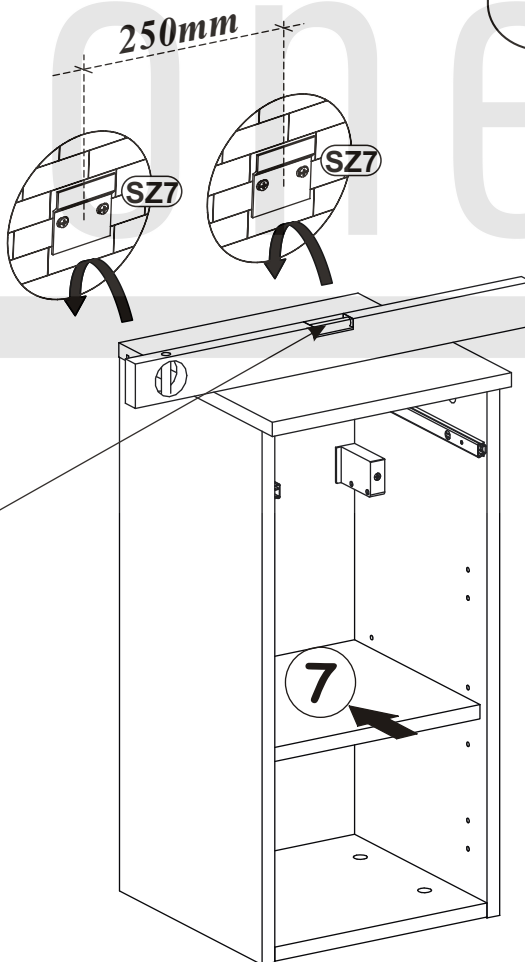
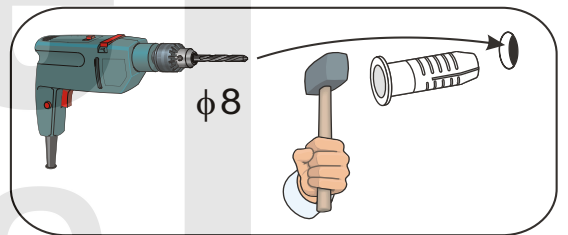
11



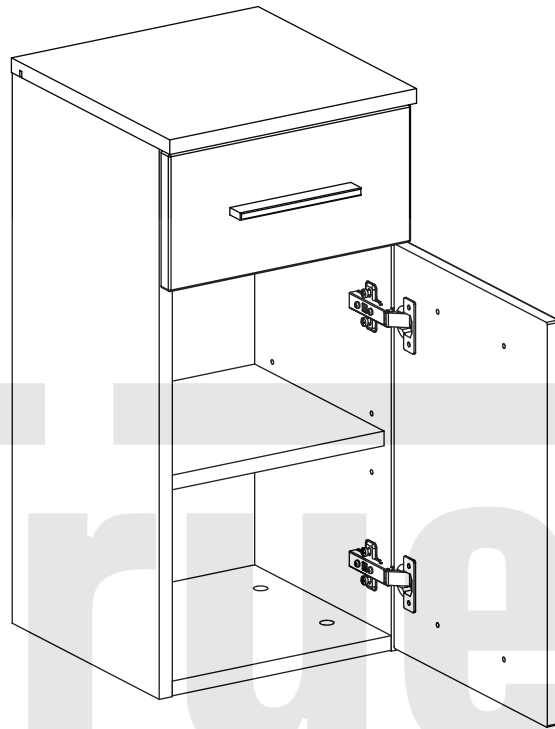
12



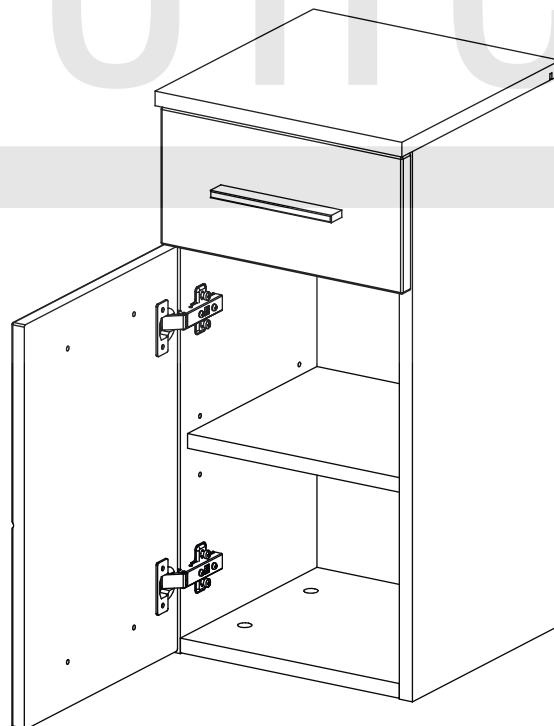
SZ7	
x2	

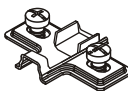



13 - 16, 21-22

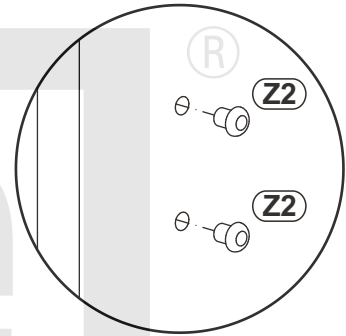
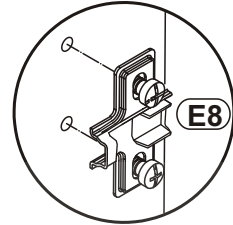
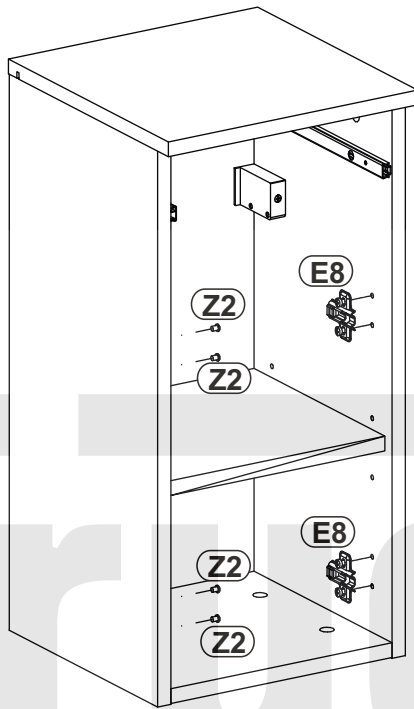
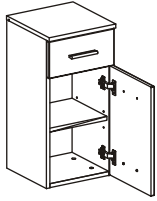


17 - 22

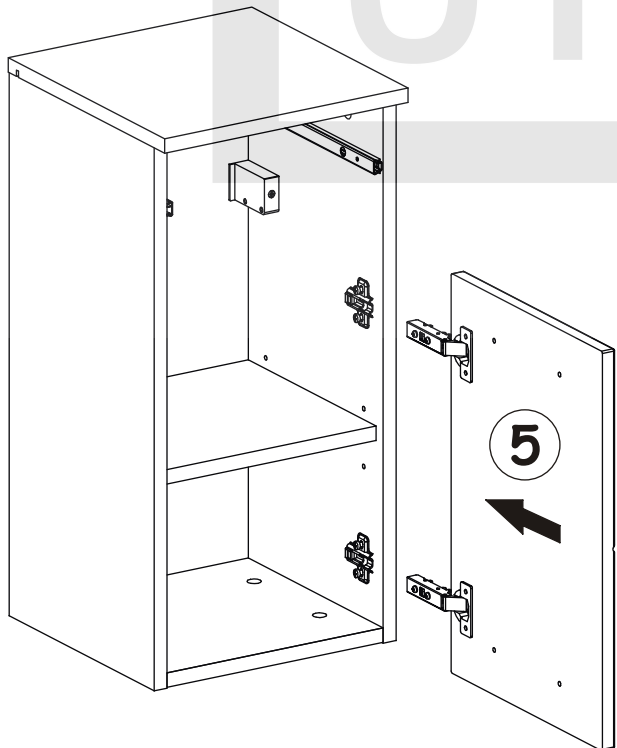
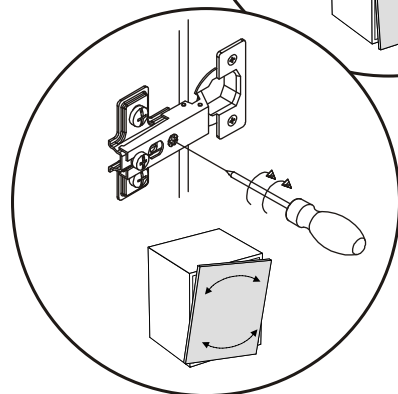
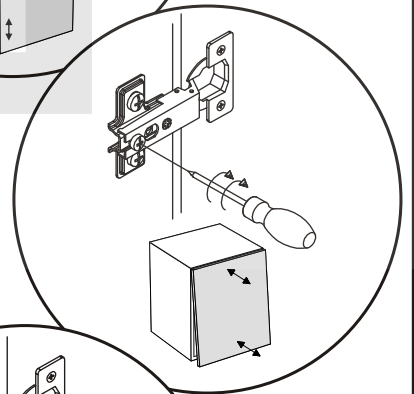
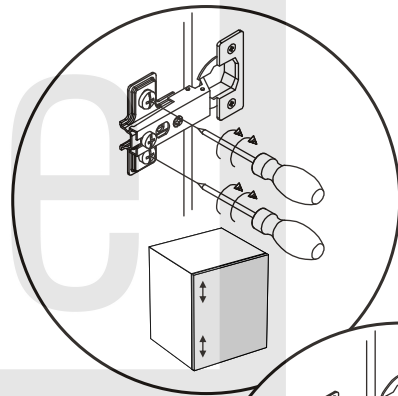
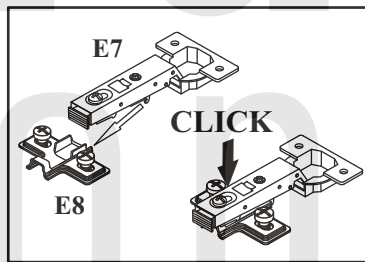
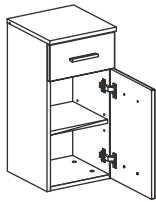


E8		Z2	
x2		x4	Ø5

13

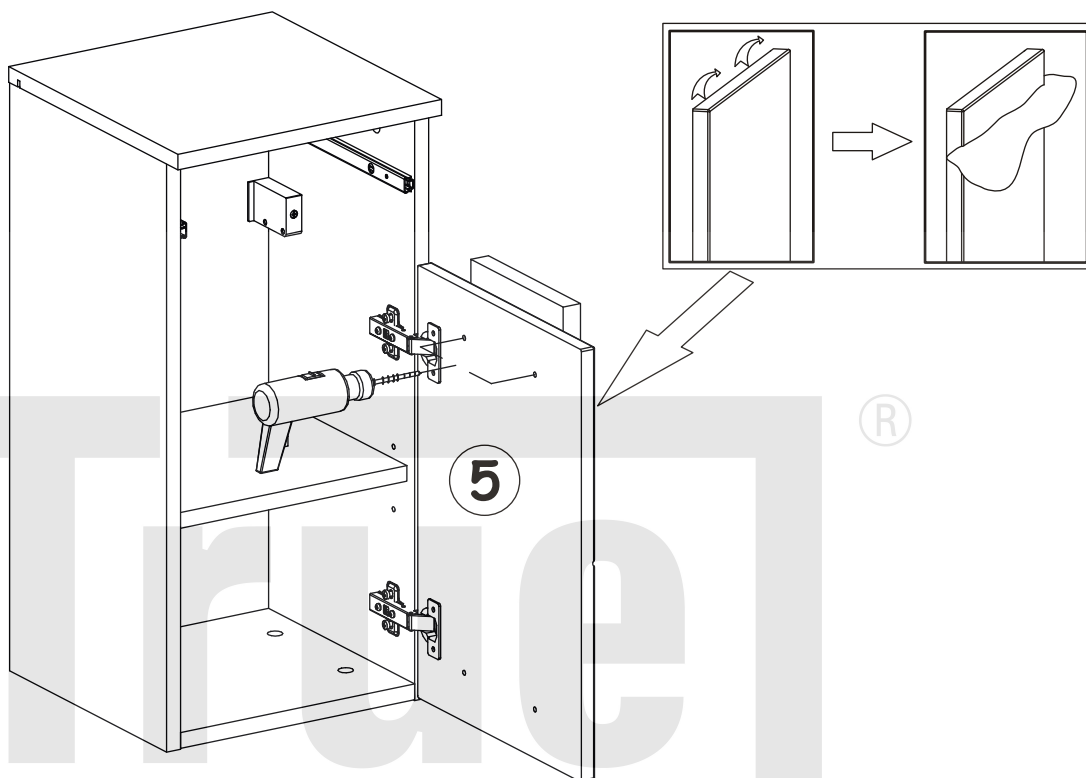
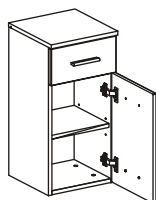


14

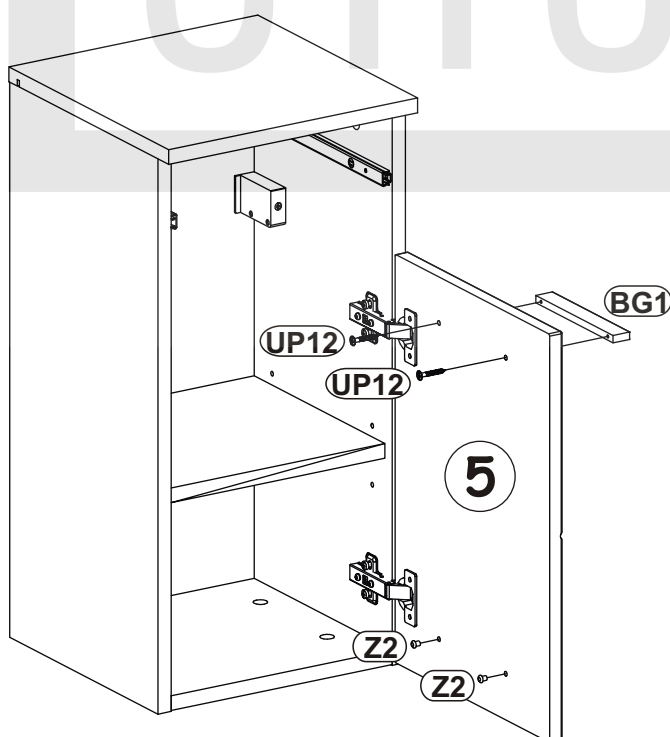
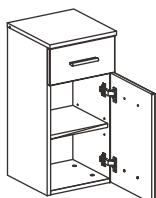




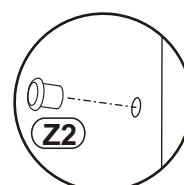
15

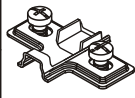



16

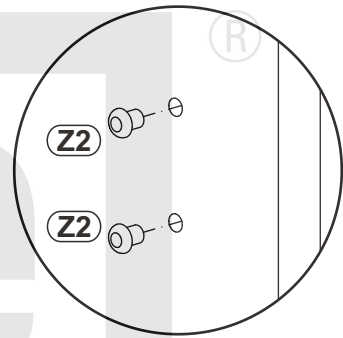
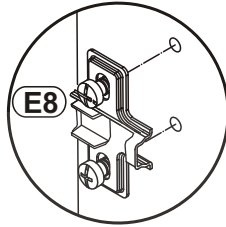
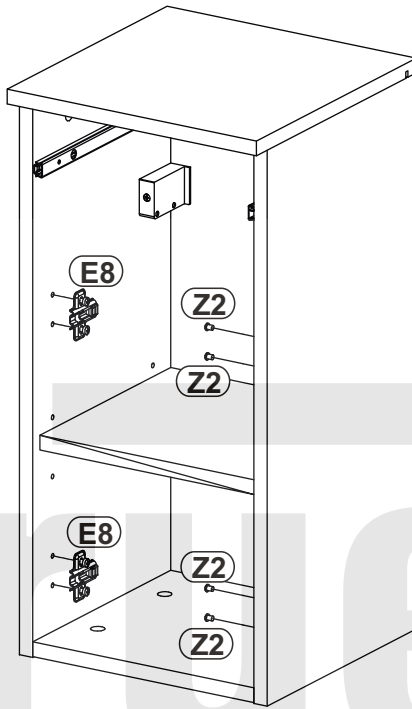
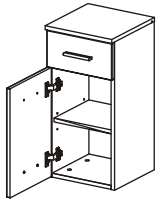


BG1		UP12	
x1	L-148mm.	x2	UPØ3,5x30
Z2			
x2	Ø5		

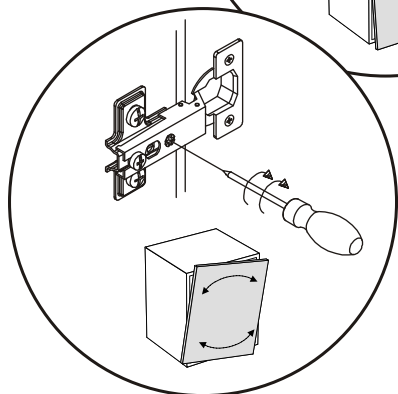
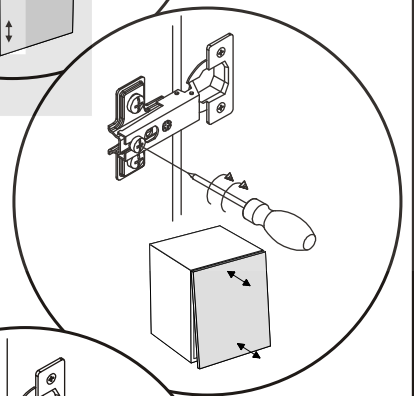
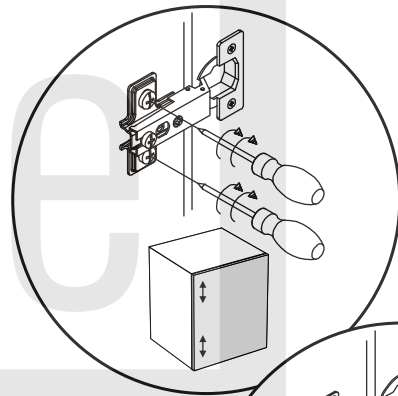
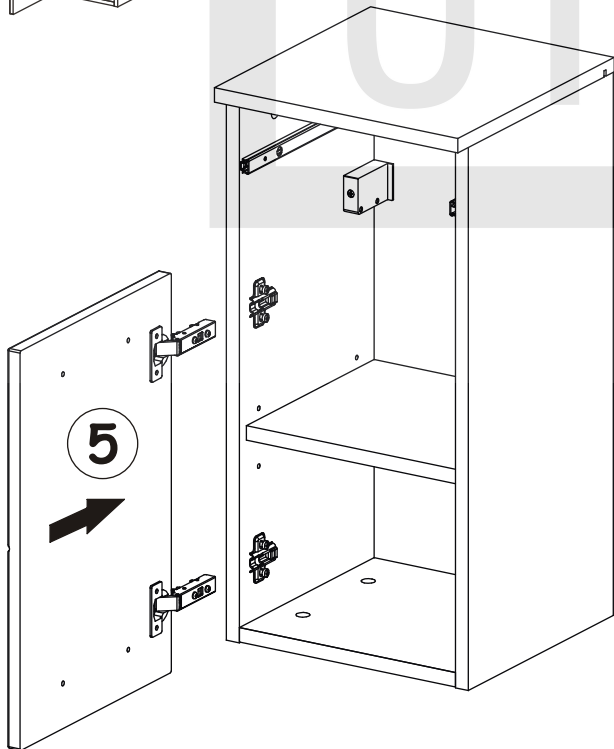
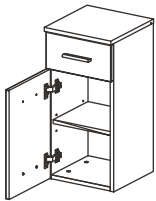


E8		Z2	
x2		x4	Ø5

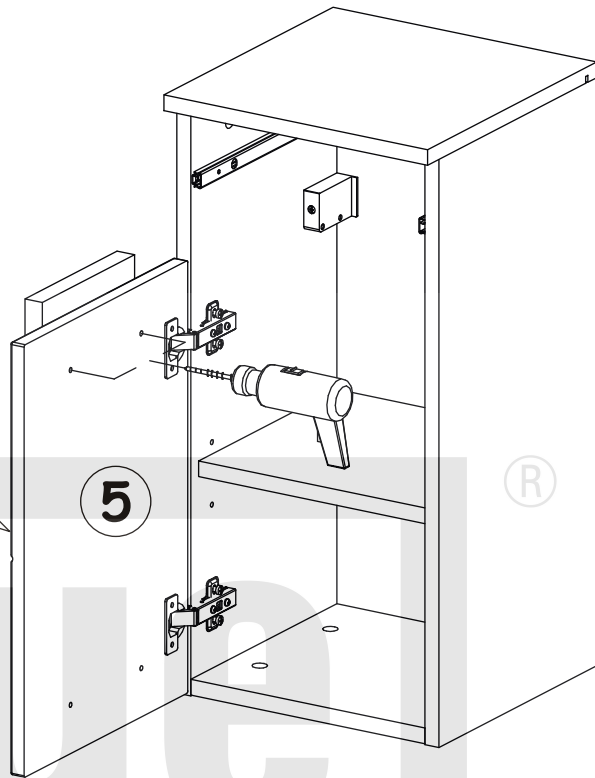
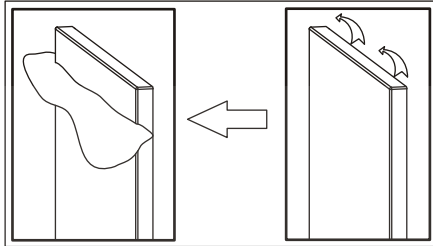
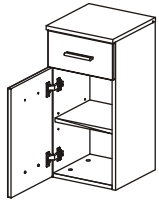
17



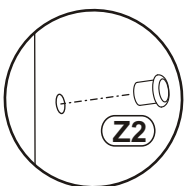
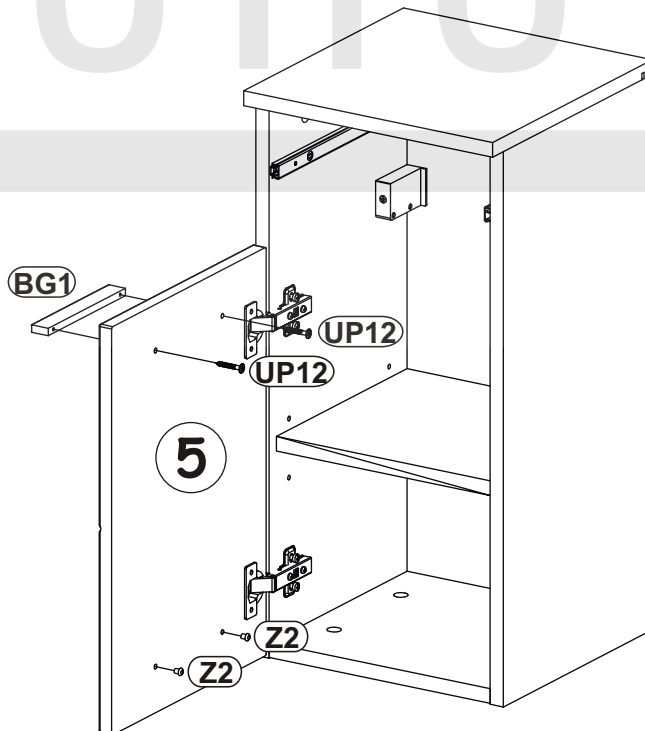
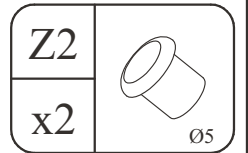
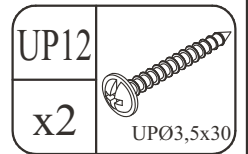
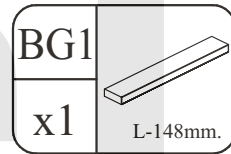
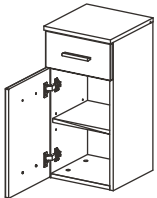
18




19

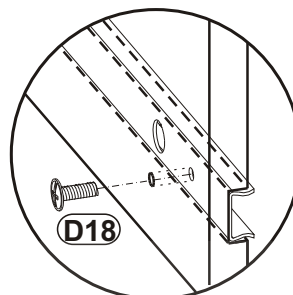
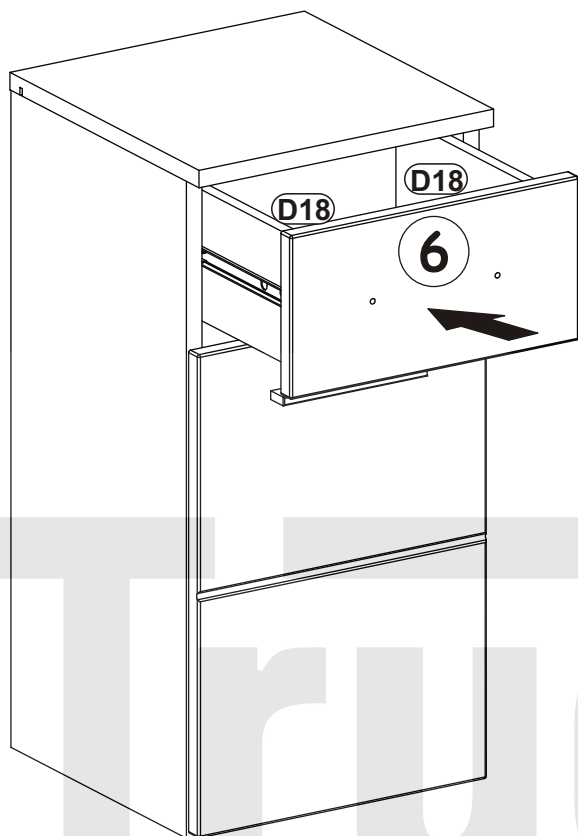


20




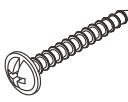
21

D18	
x2	M4x9



®

22

BG1		UP12	
x1	L-148mm.	x2	UPØ3,5x30

