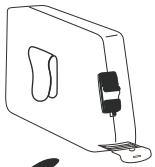
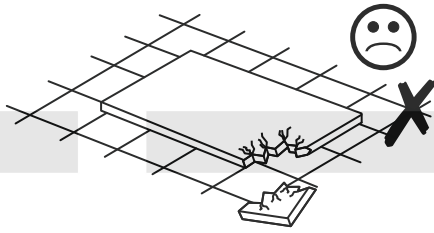
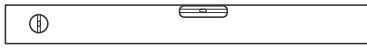
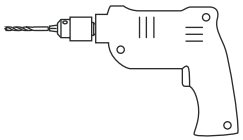
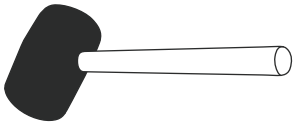
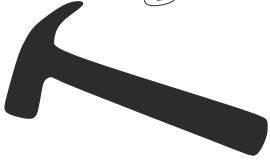


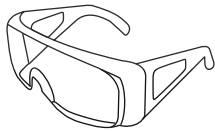
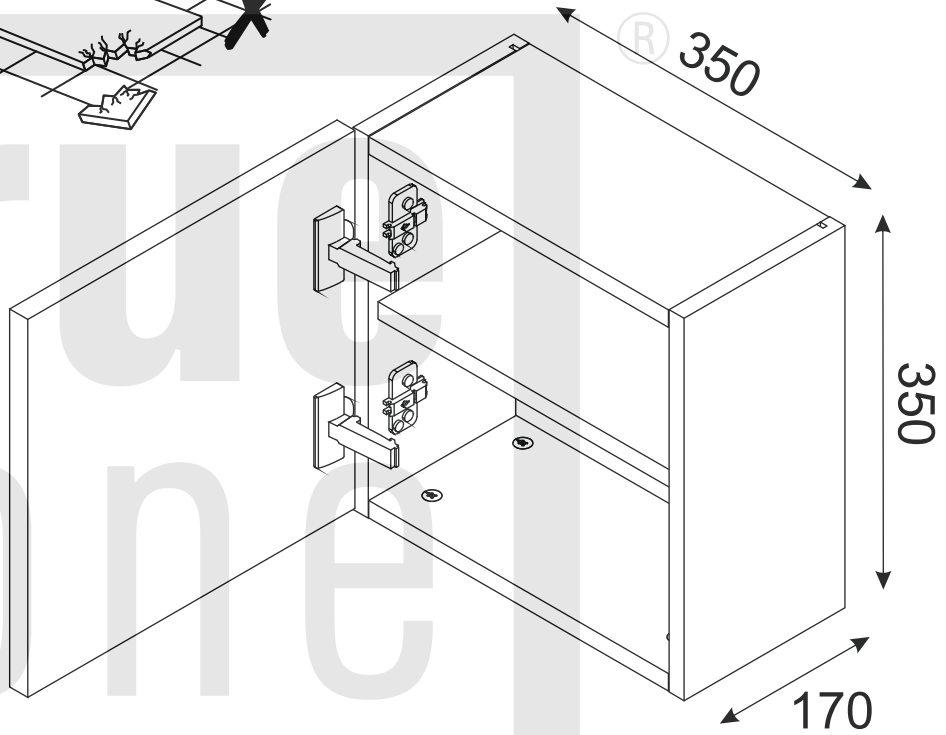
60min



mm

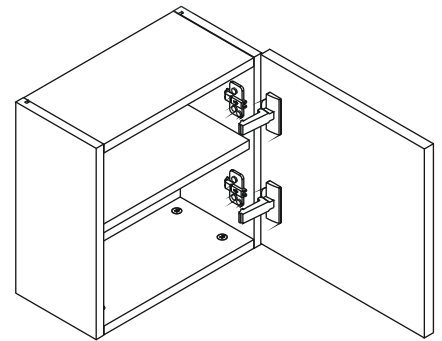
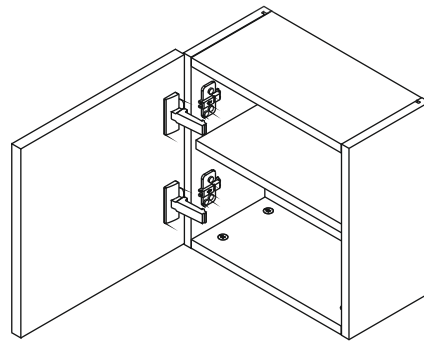


Ø10



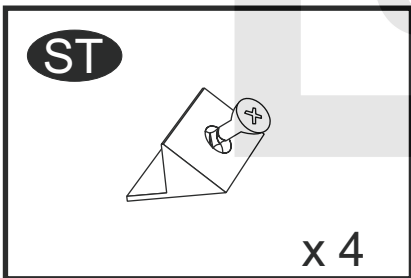
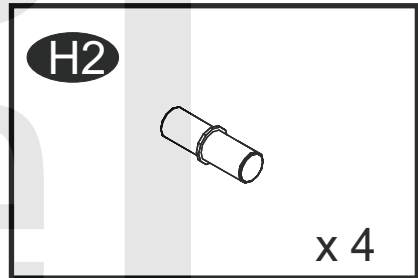
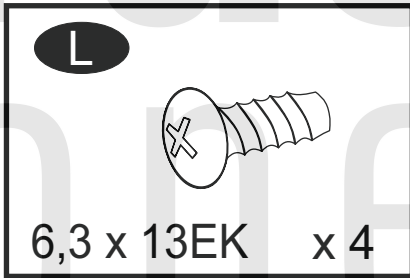
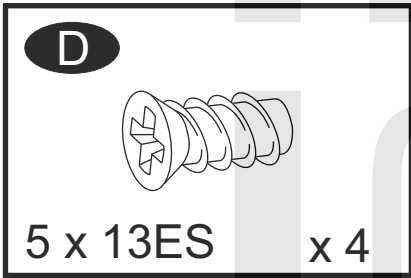
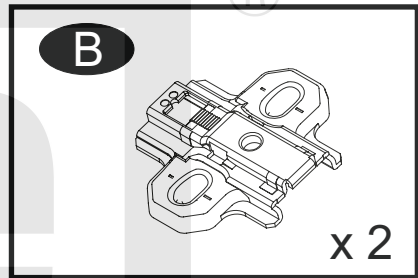
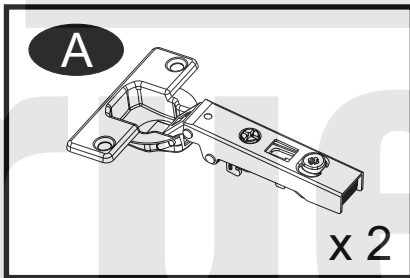
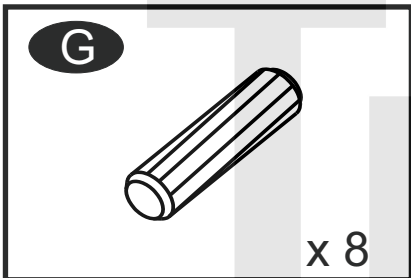
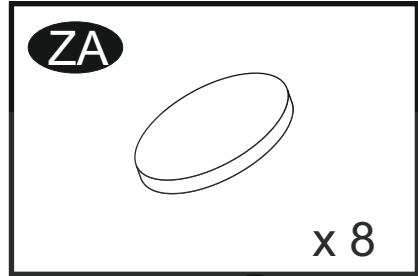
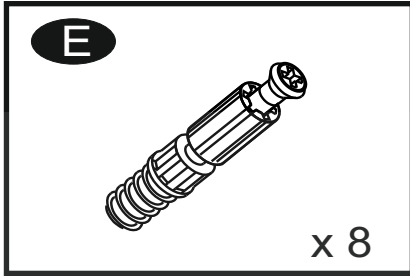
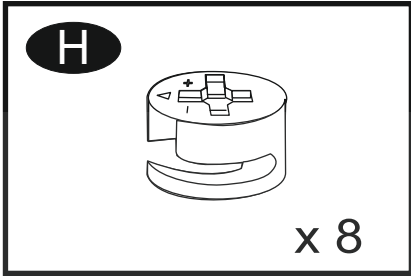
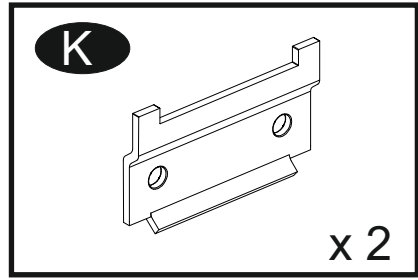
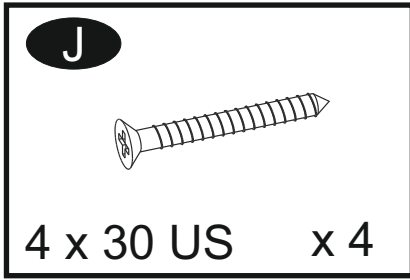
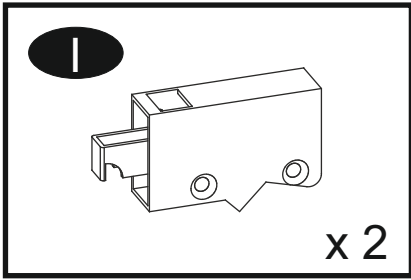
L

R



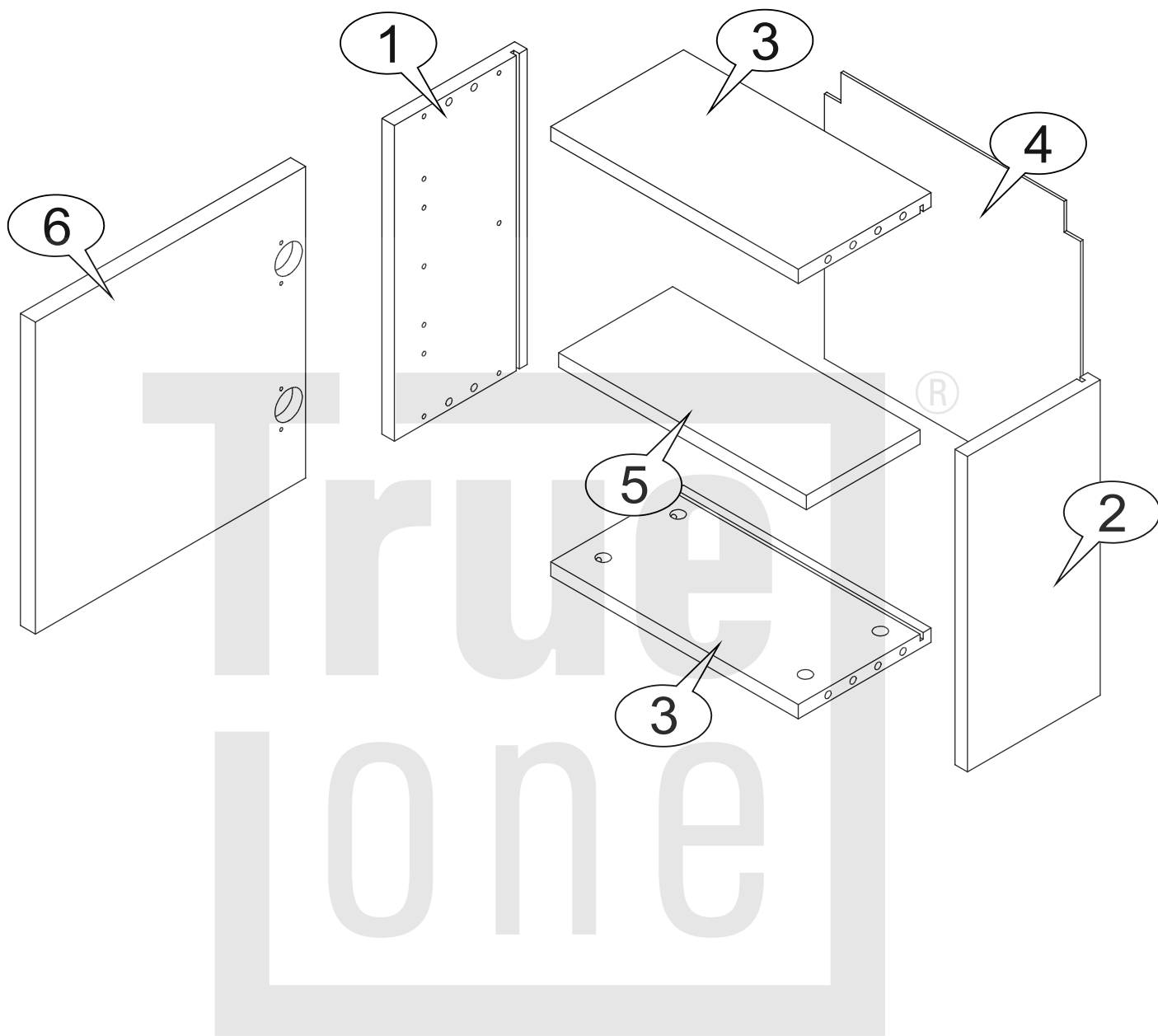
mm

0



0

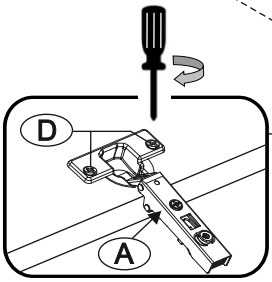
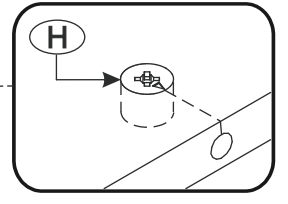
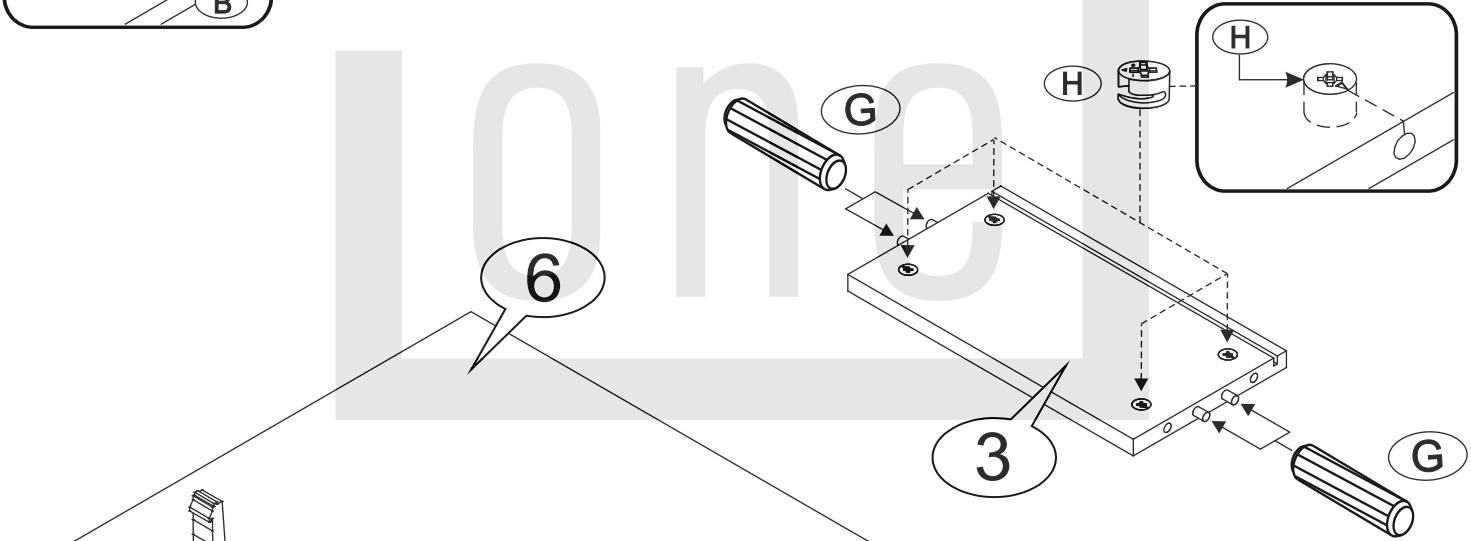
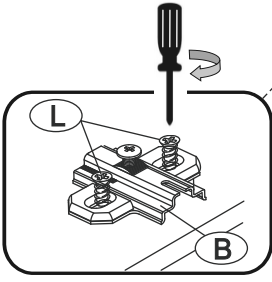
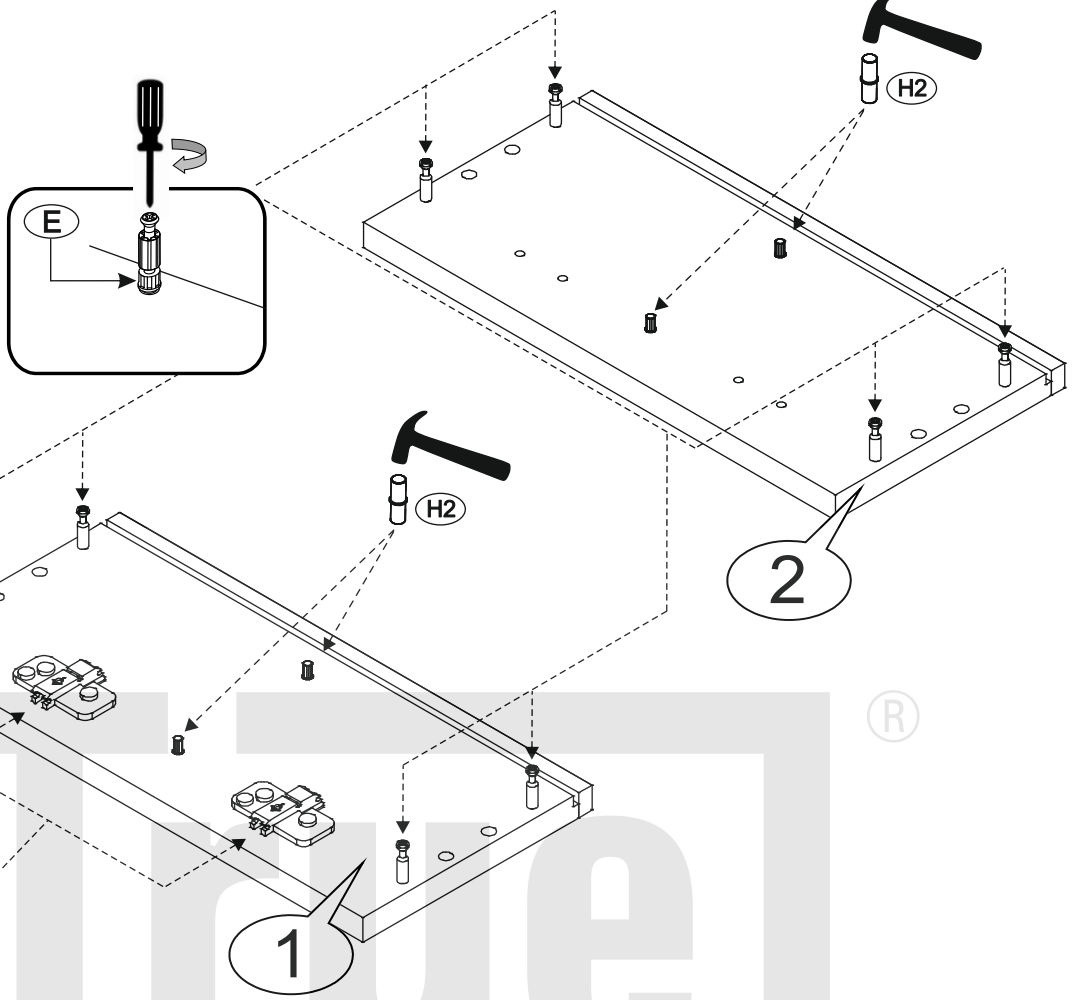
mm

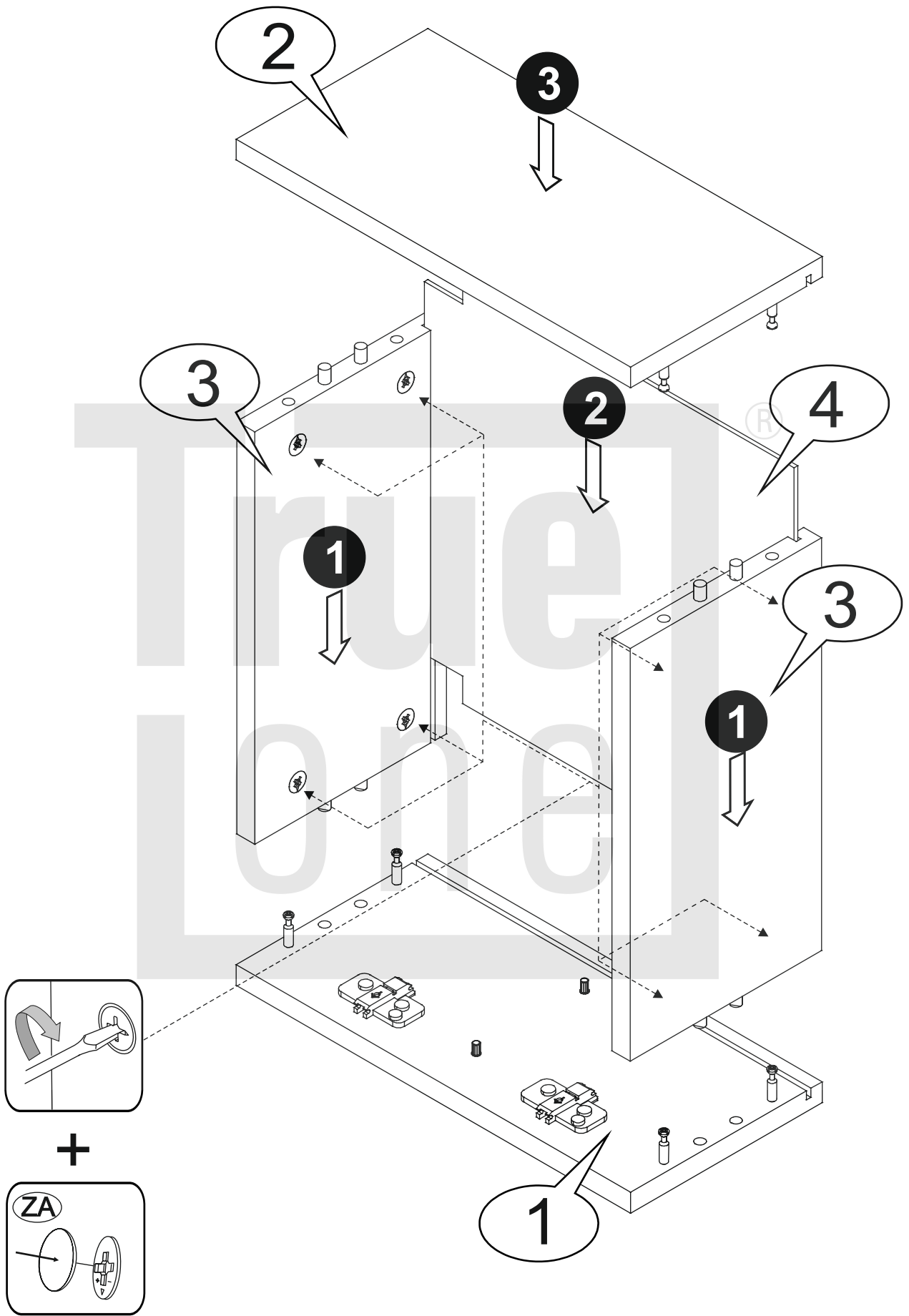


1	350	170	x 1
2	350	170	x 1
3	317	170	x 2
4	328	328	x 1
5	317	146	x 1
6	346	346	x 1

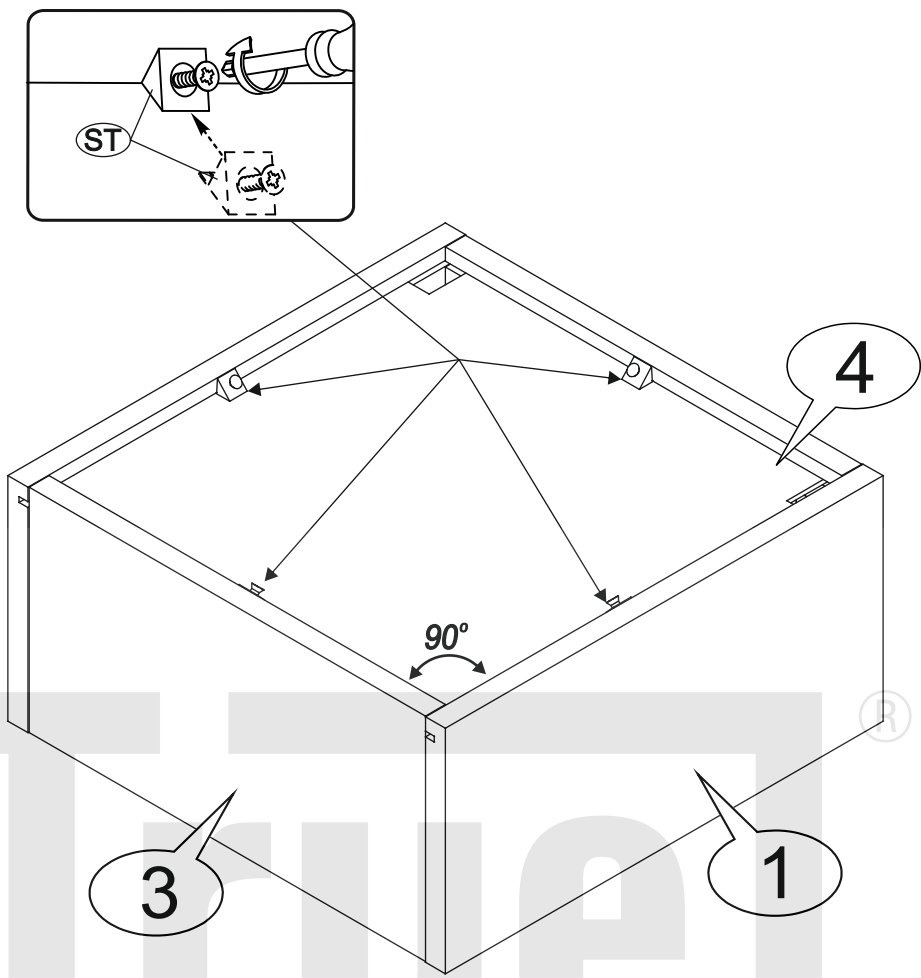
 mm

0





3



4

