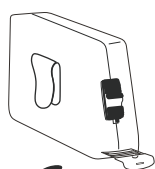
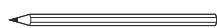
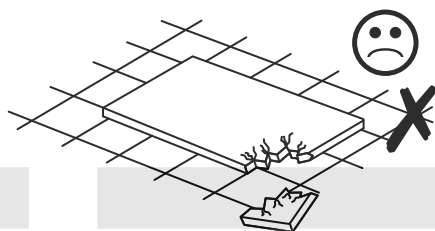
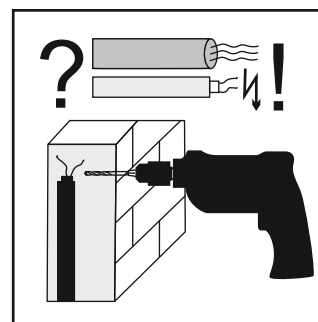
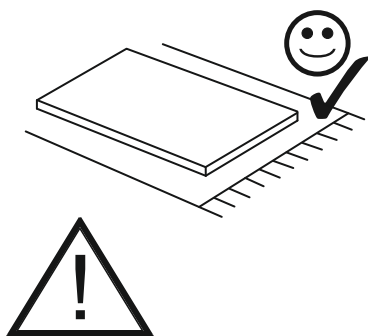
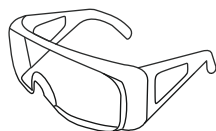
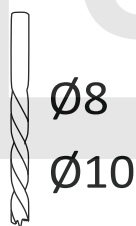
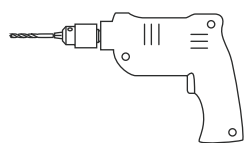
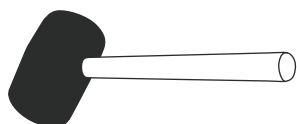
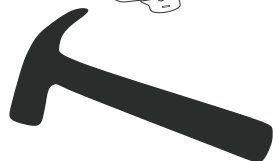
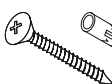



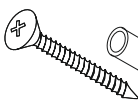

60 min



mm

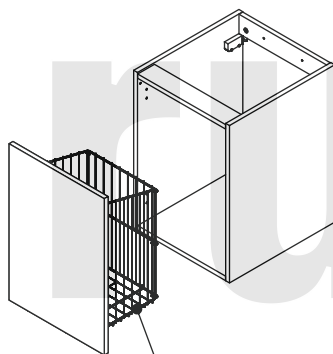


2 x  Ø8 

4 x  Ø10 



0

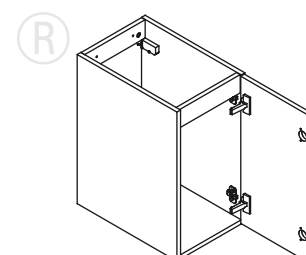
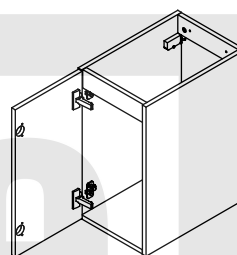


OPTION 81-40-1D

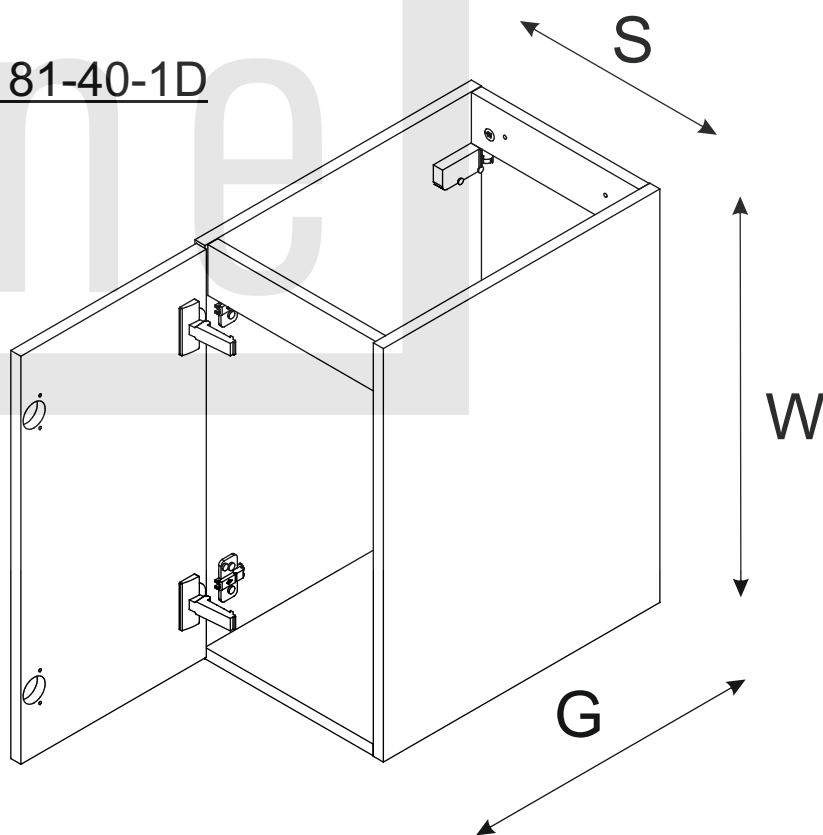
VARIANT

L

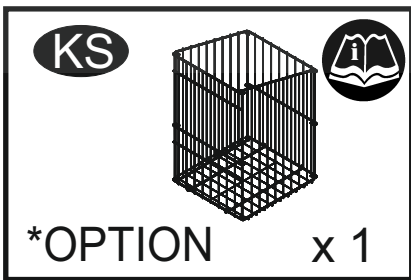
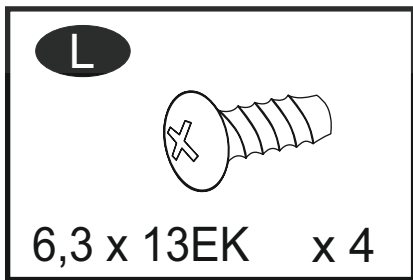
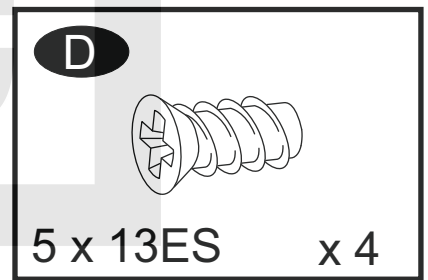
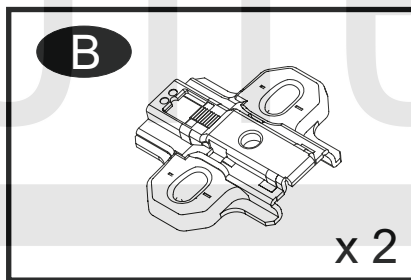
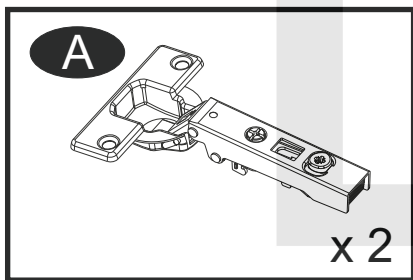
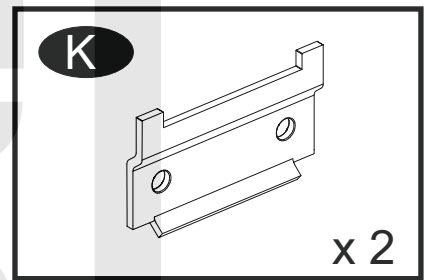
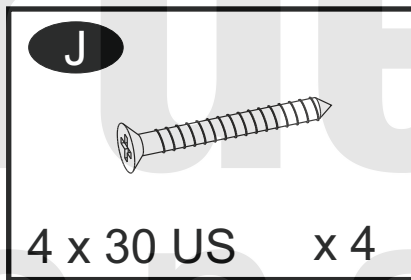
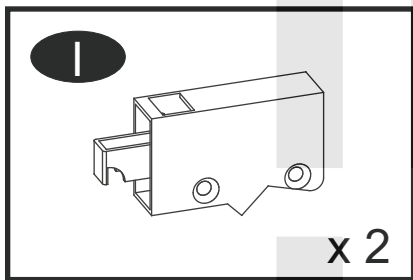
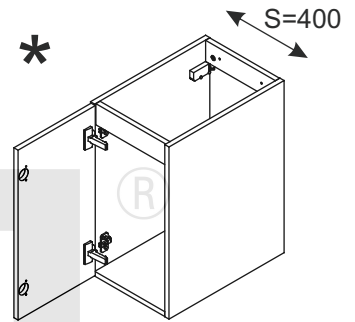
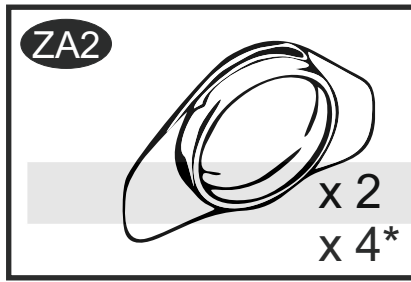
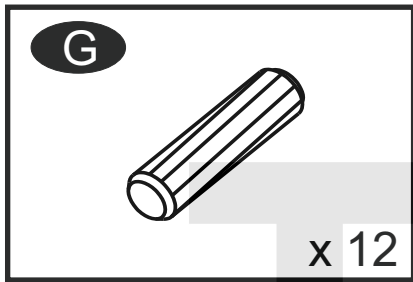
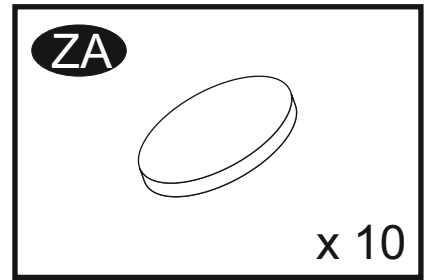
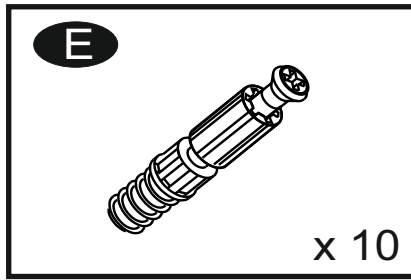
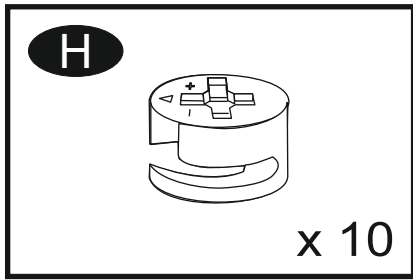
R



81-30-1D
81-40-1D



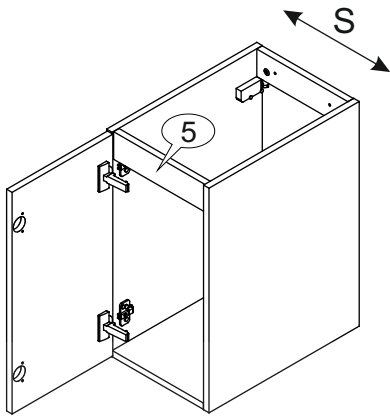
S [mm]	W [mm]	G [mm]
300	570	440
400	570	440



0

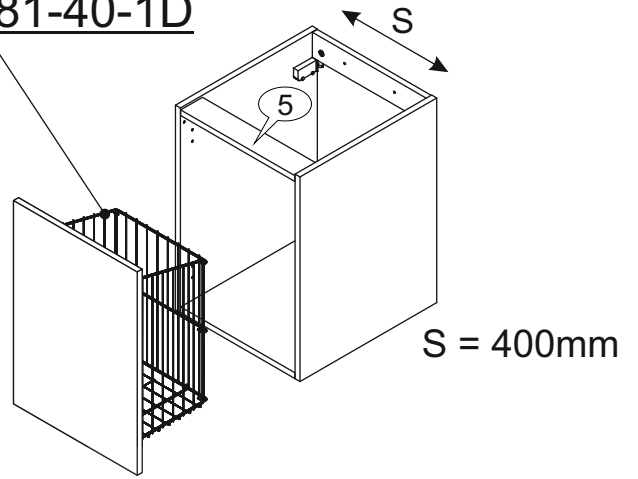
mm

81-30-1D
81-40-1D

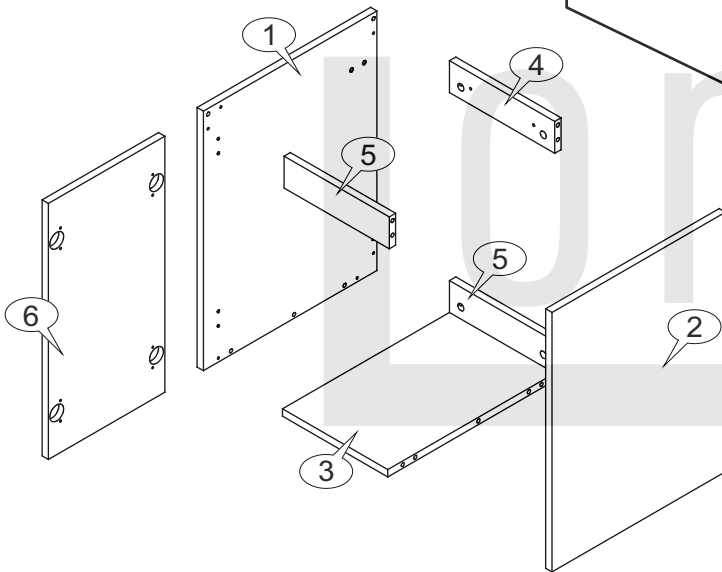
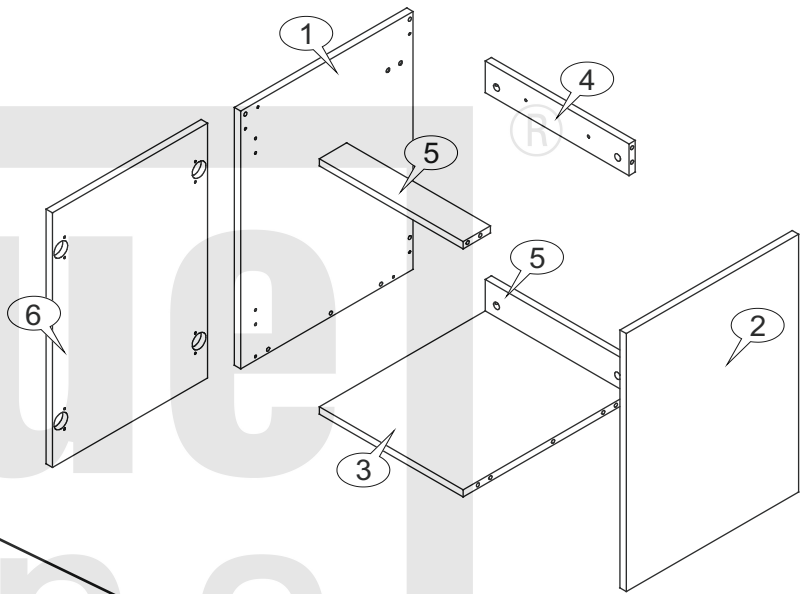


S = 300mm
S = 400mm

OPTION 81-40-1D



S = 400mm



1	440	570	x 1
2	440	570	x 1
3	S-33mm	440	x 1
4	S-33mm	70	x 1
5	S-33mm	70	x 2
6	S-4mm	563	x 1

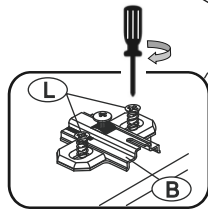
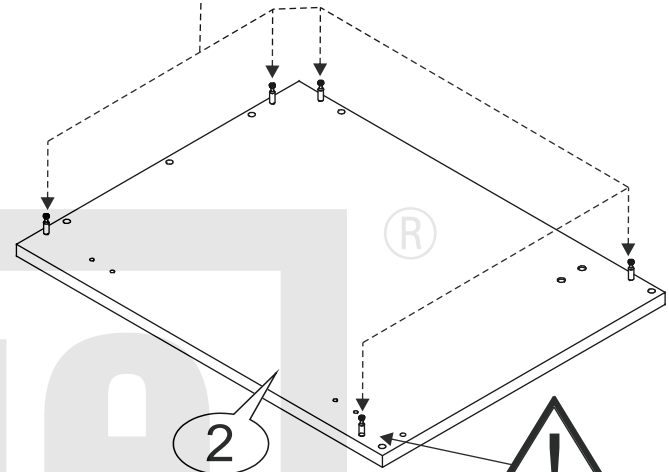
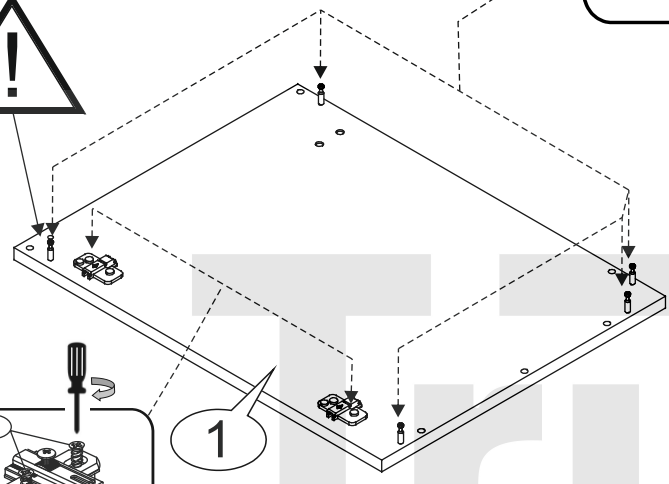
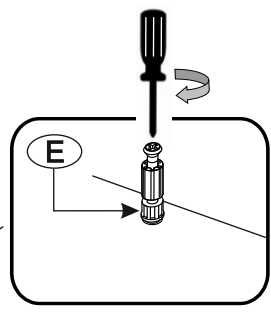
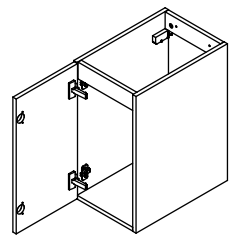


0

1

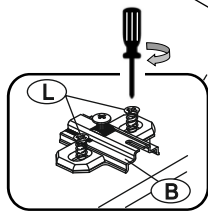
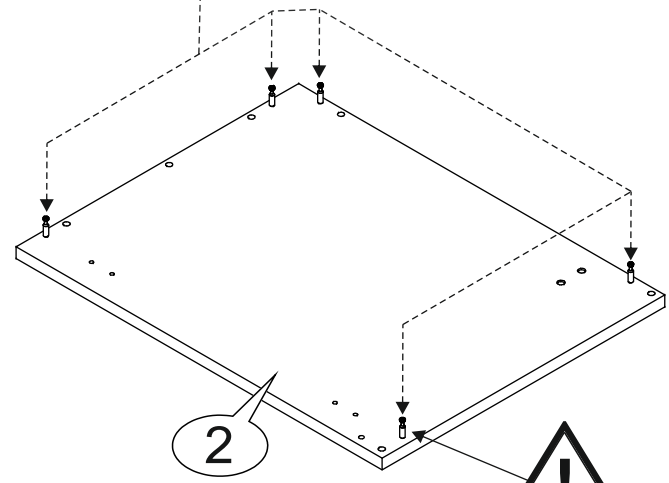
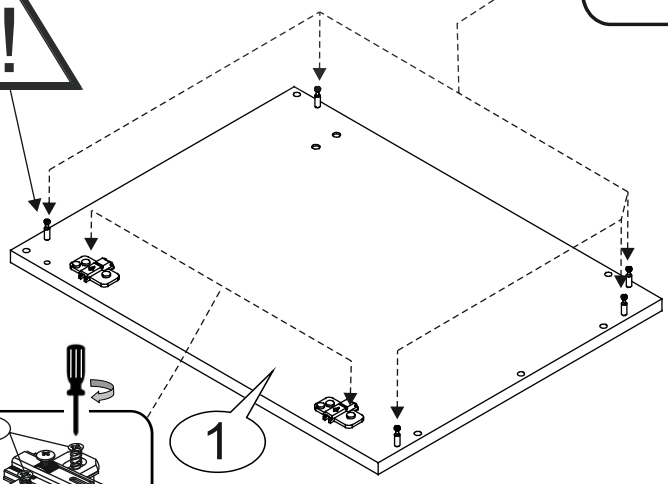
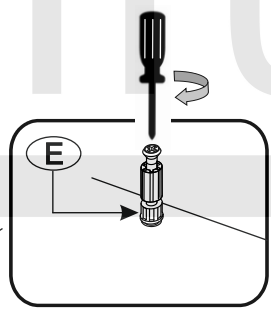
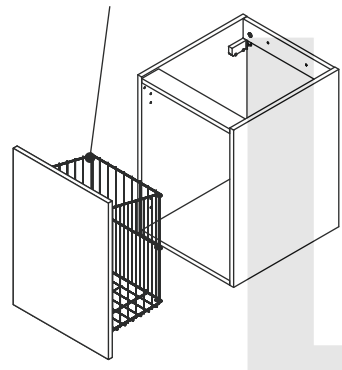
VARIANT 81-30-1D
81-40-1D

L



1

OPTION 81-40-1D

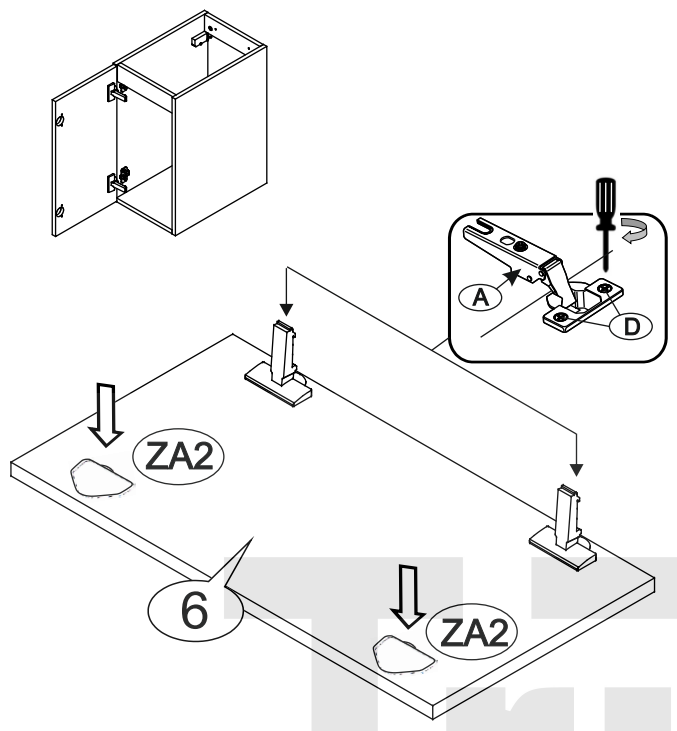


2

VARIANT

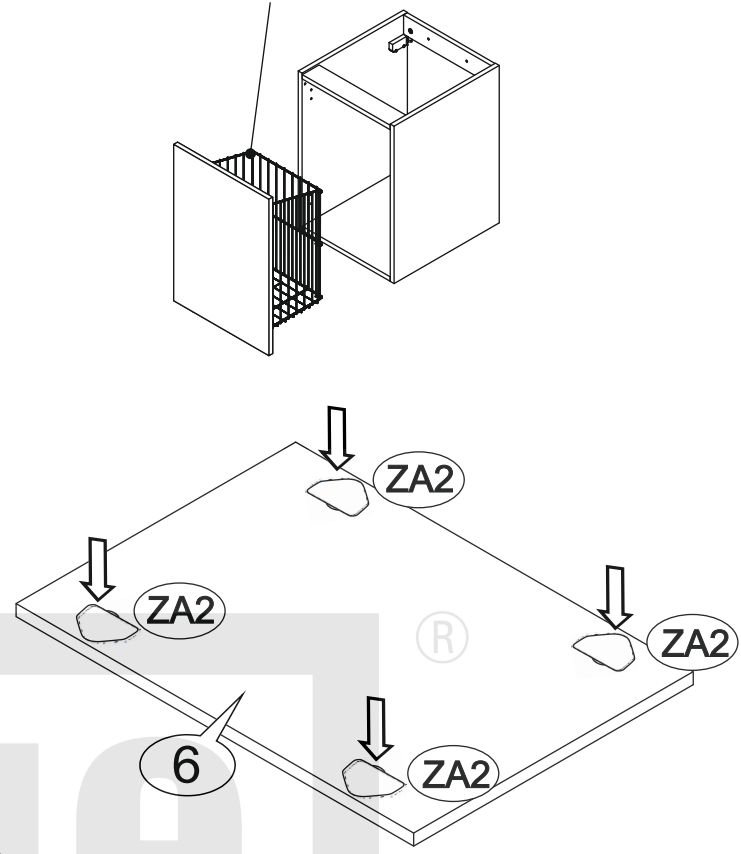
81-30-1D
81-40-1D

L

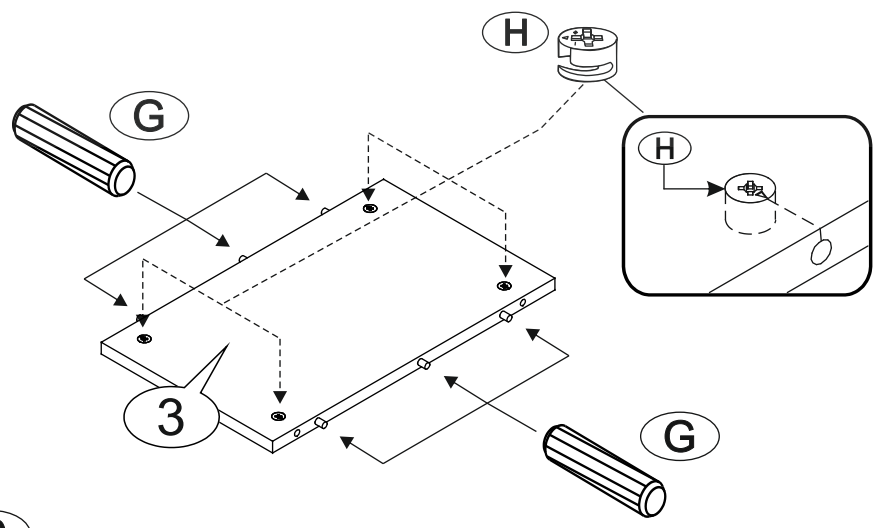
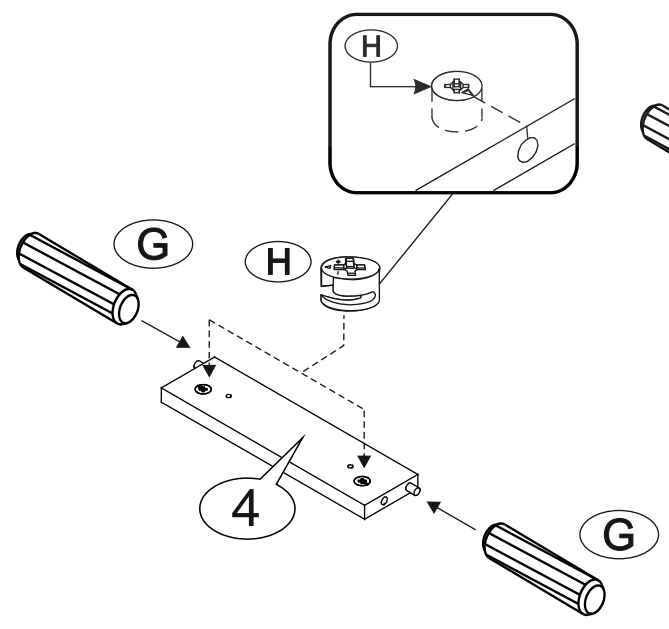
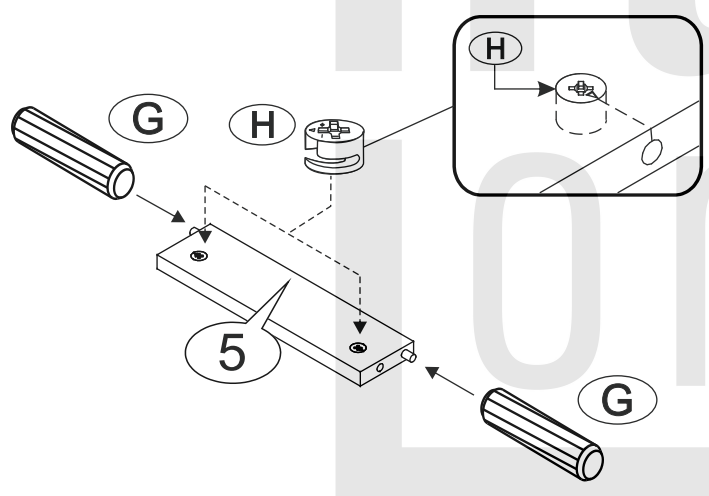


2

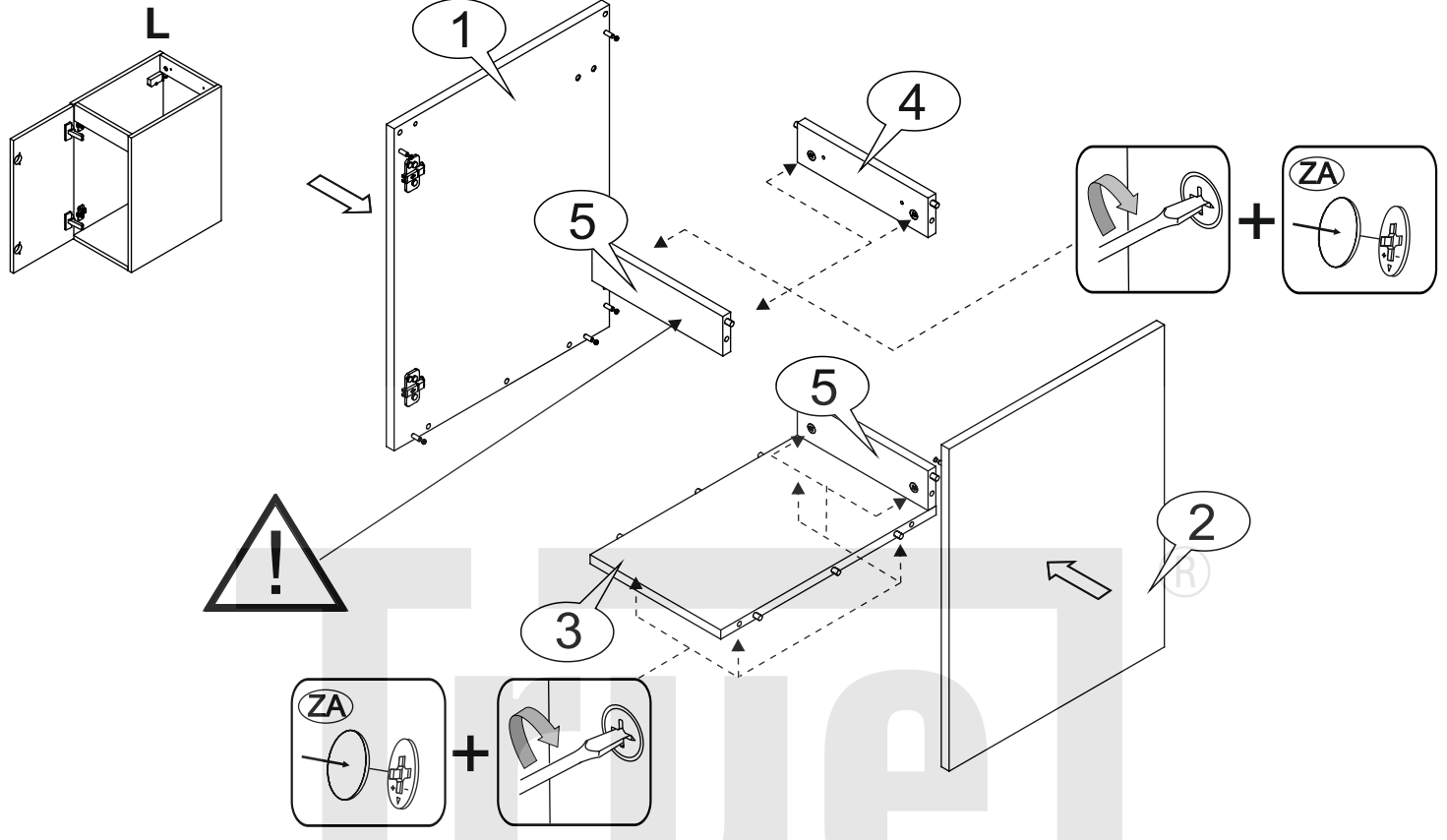
OPTION 81-40-1D



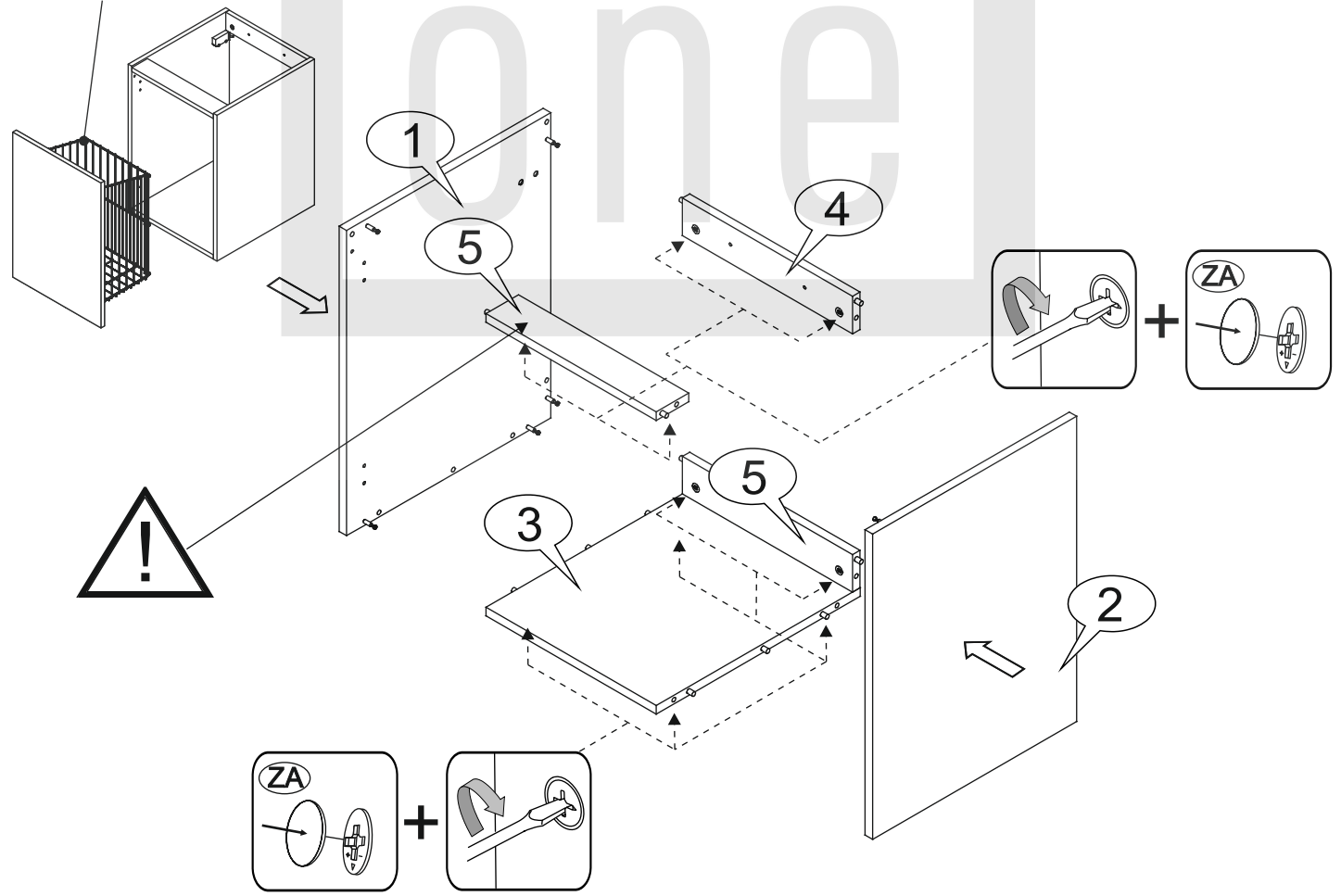
3



VARIANT 81-30-1D
81-40-1D



OPTION 81-40-1D

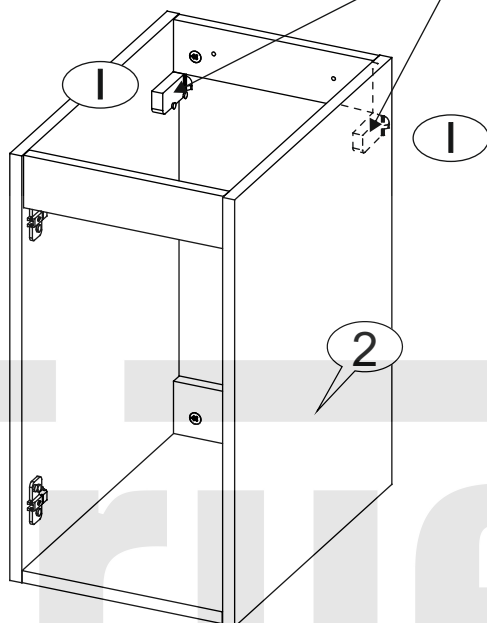
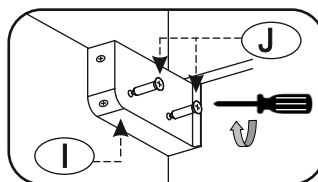
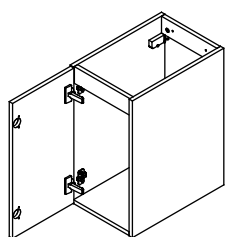


VARIANT

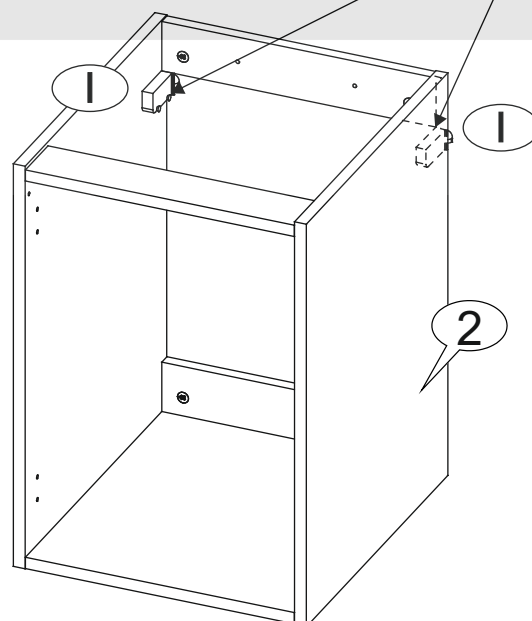
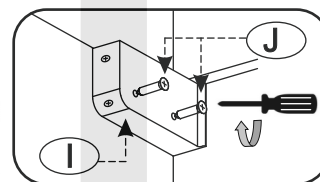
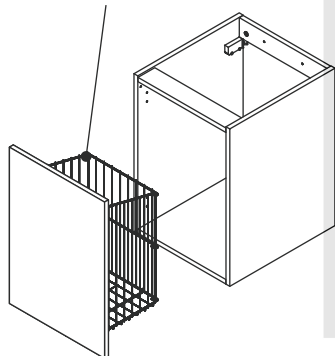
81-30-1D

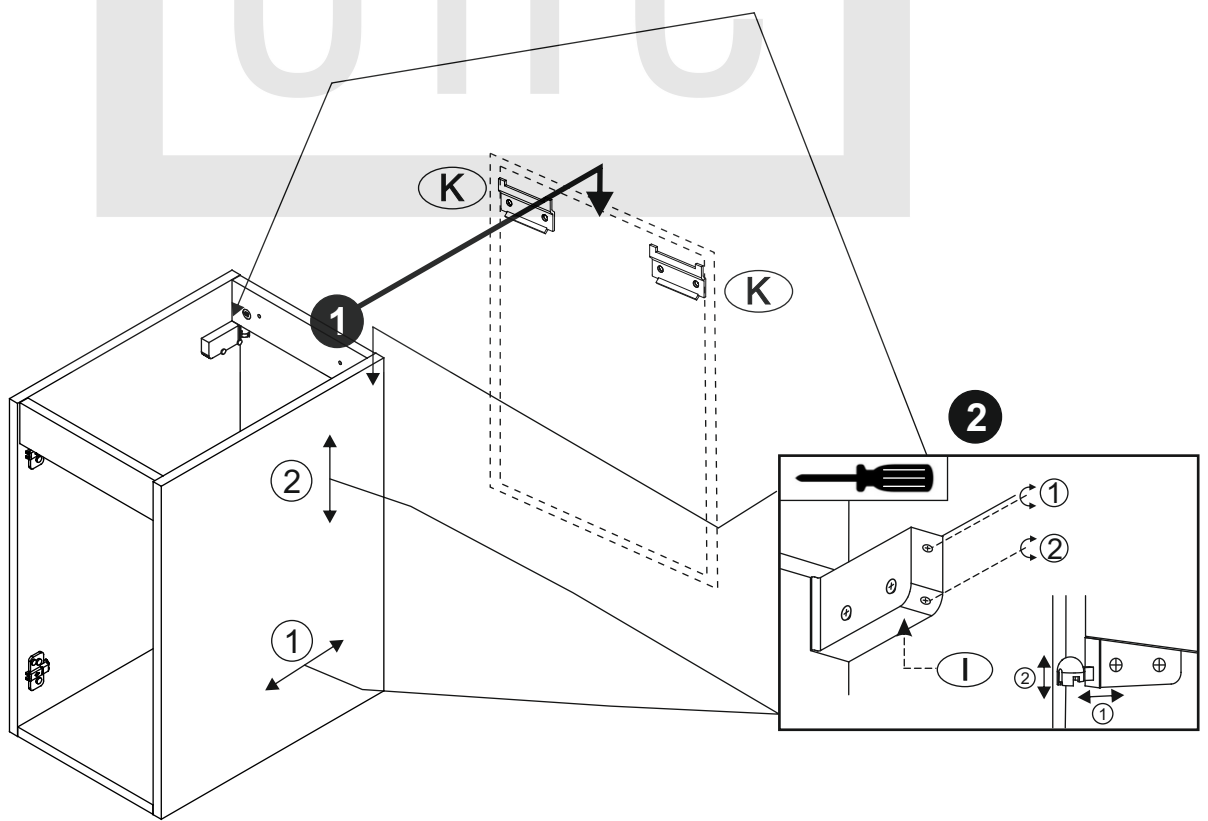
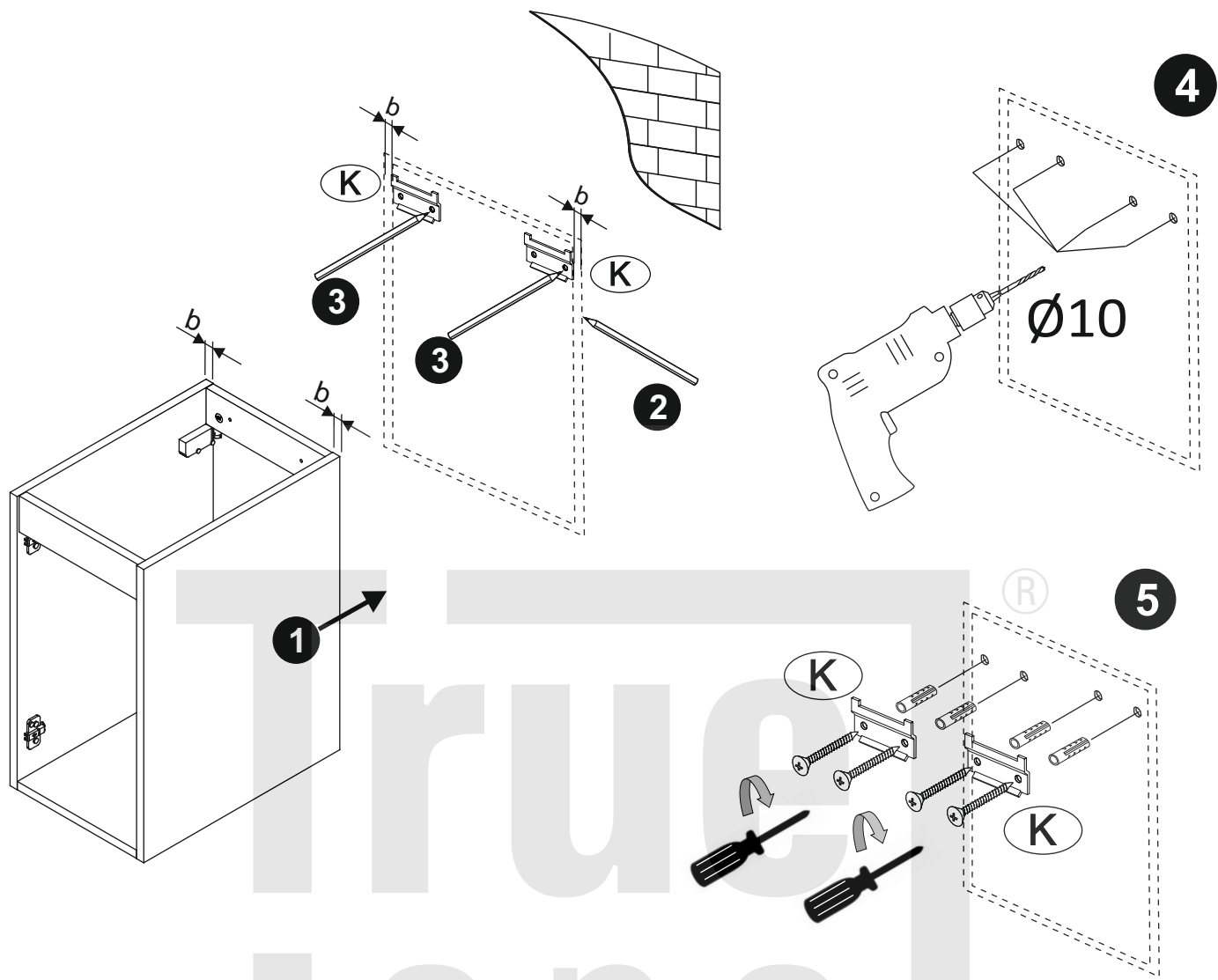
81-40-1D

L

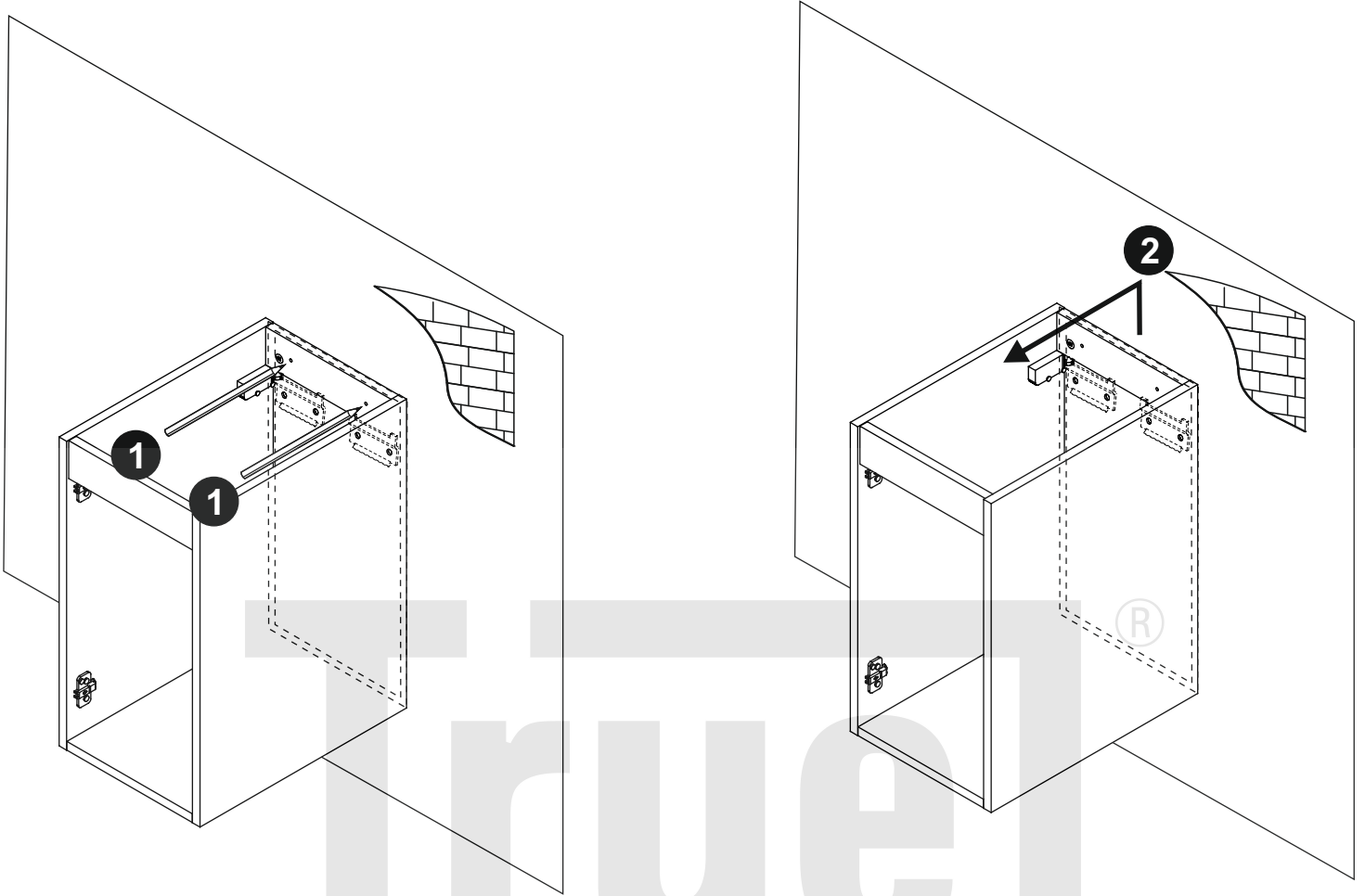


OPTION 81-40-1D

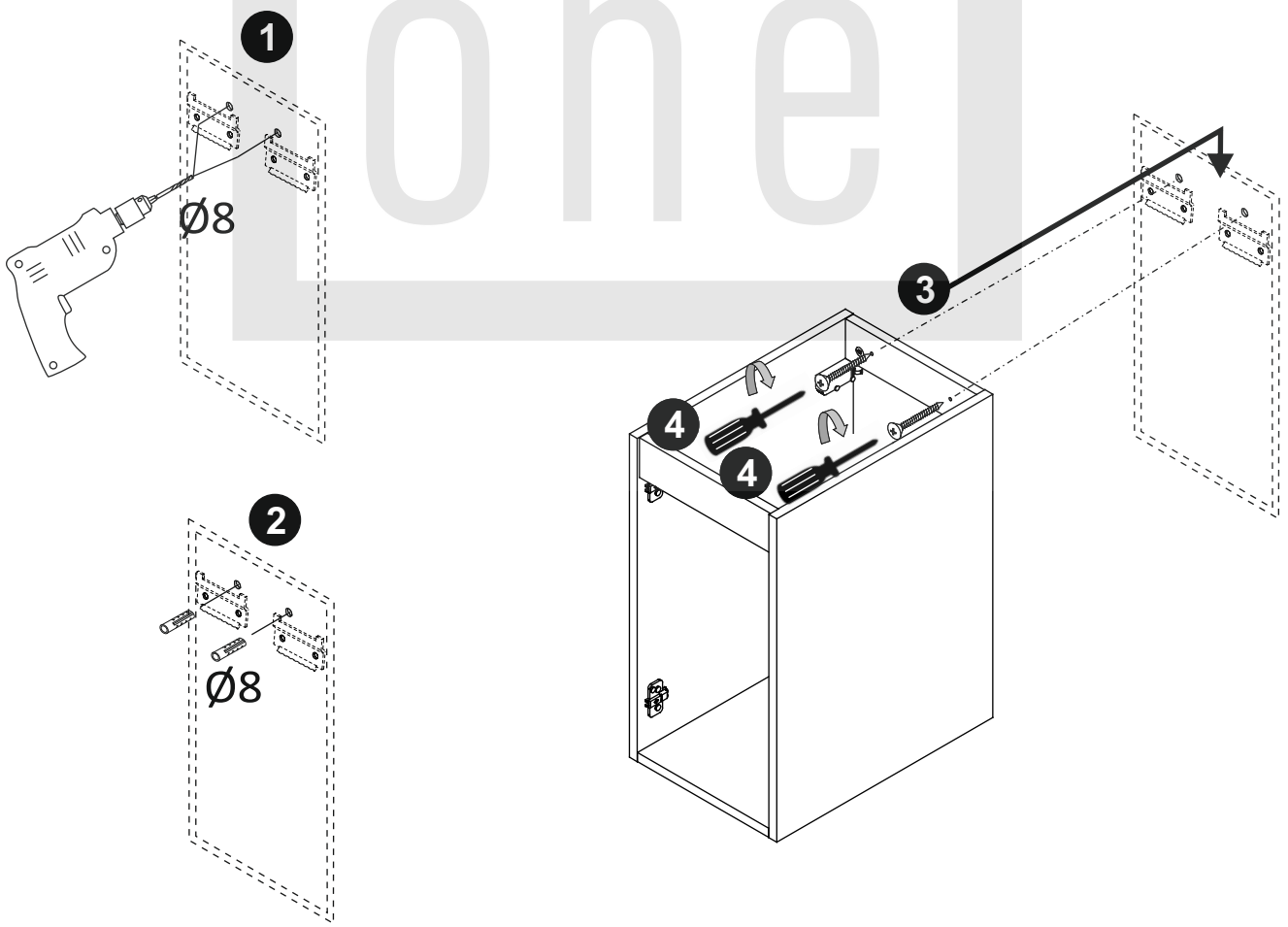




8

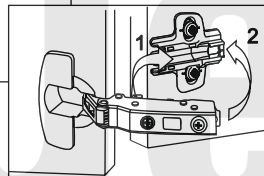
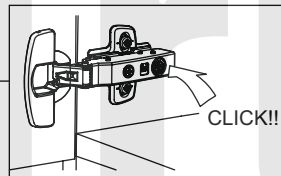
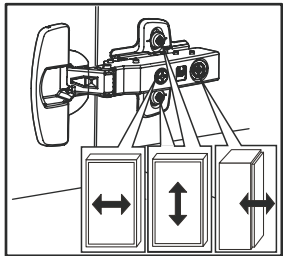
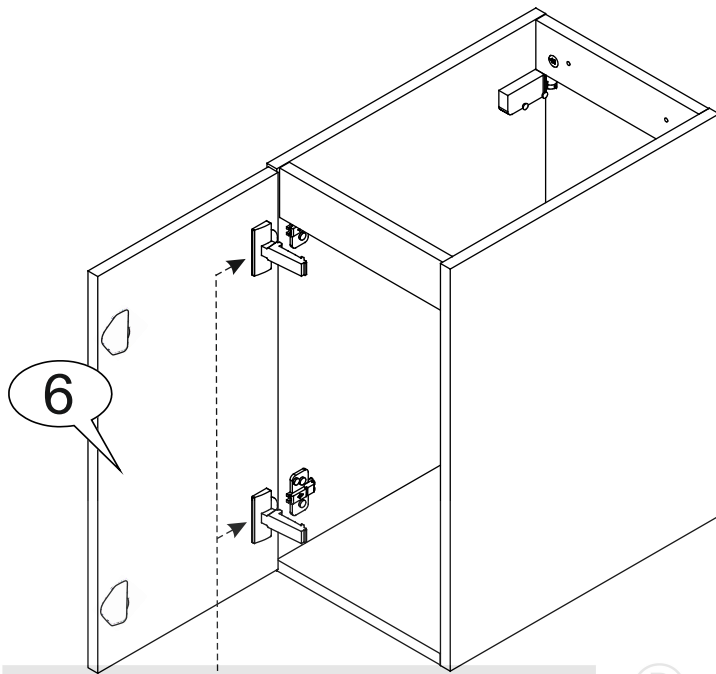
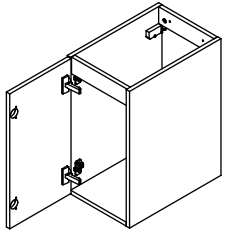


9



VARIANT 81-30-1D
81-40-1D

L



OPTION 81-40-1D

