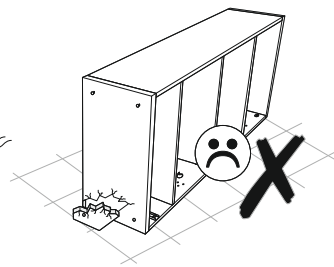
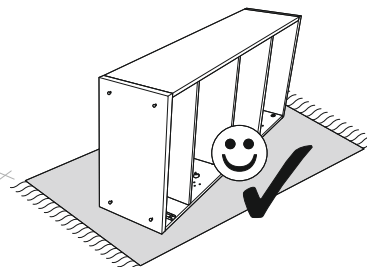
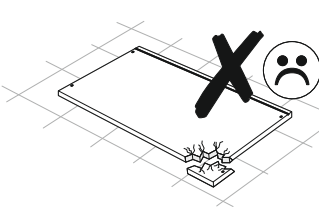
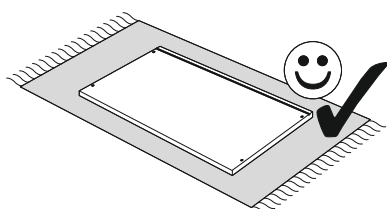
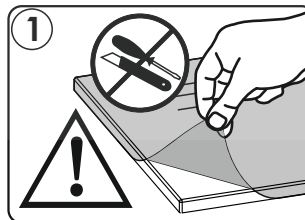
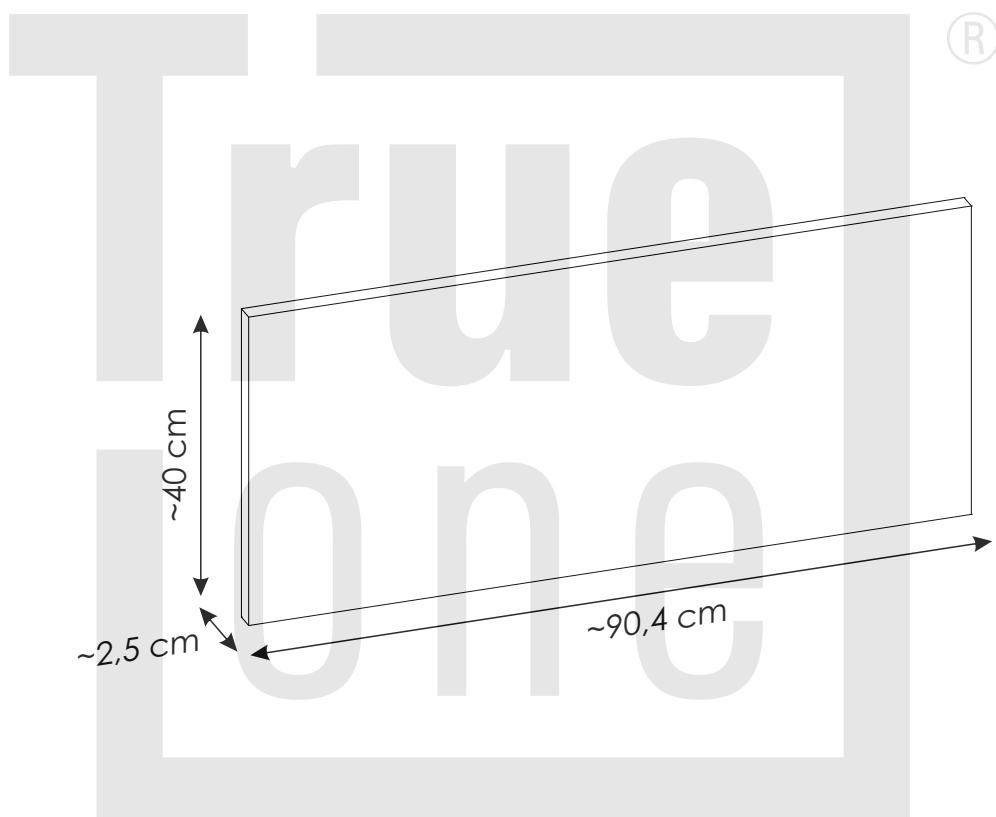
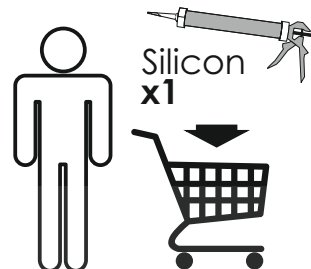
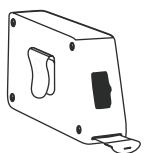
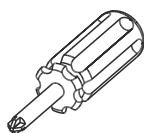
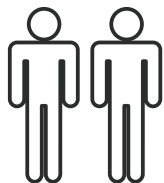
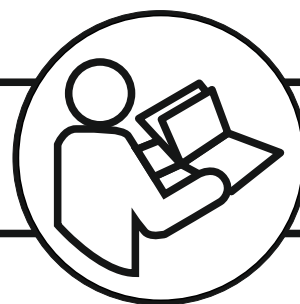
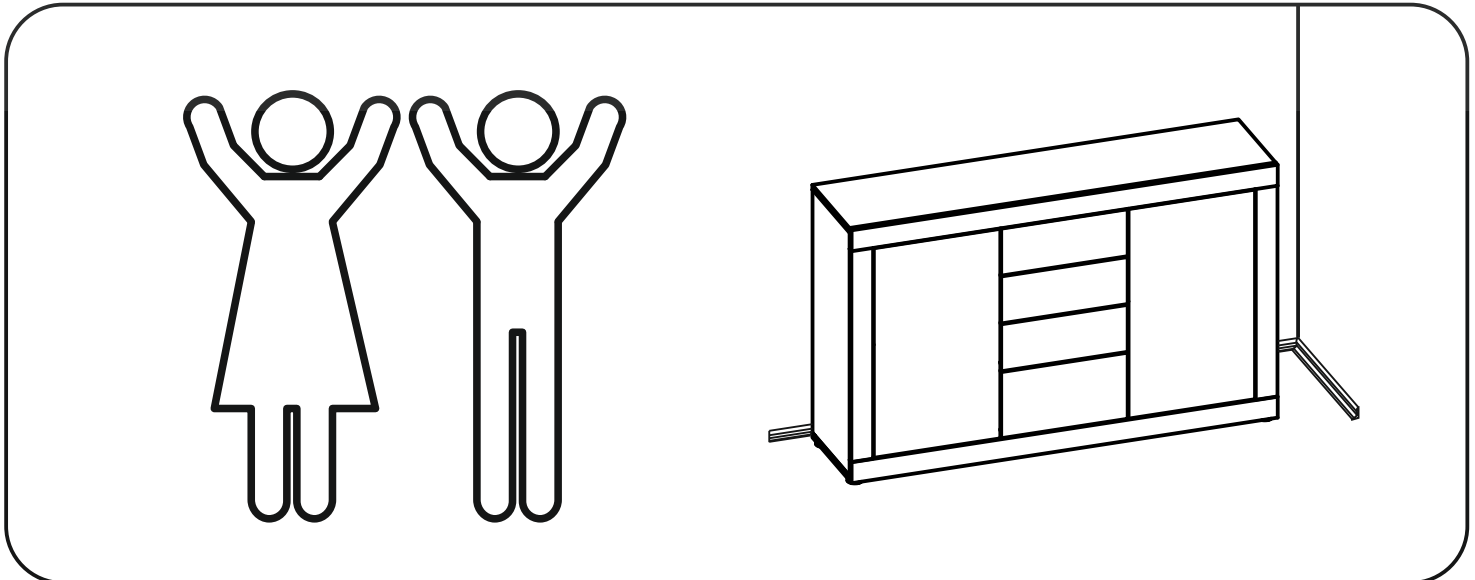
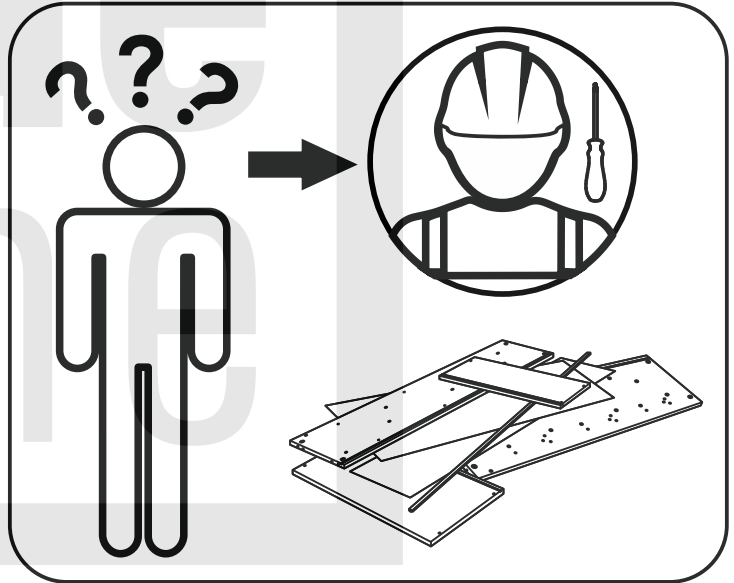
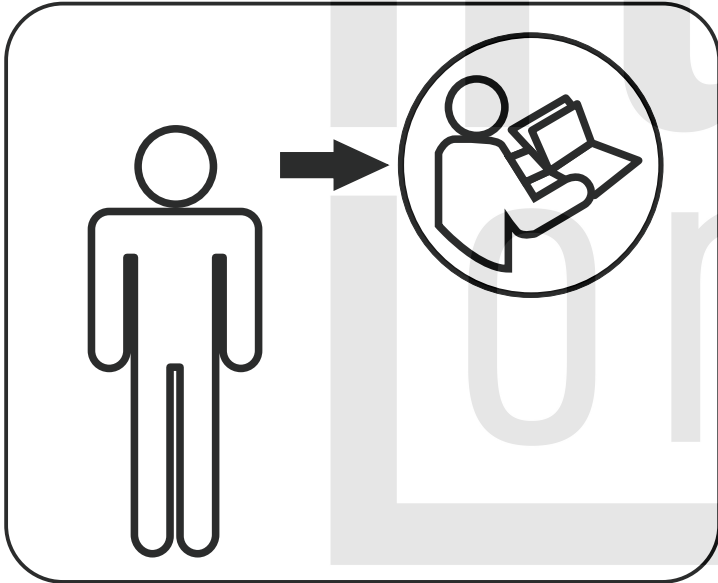
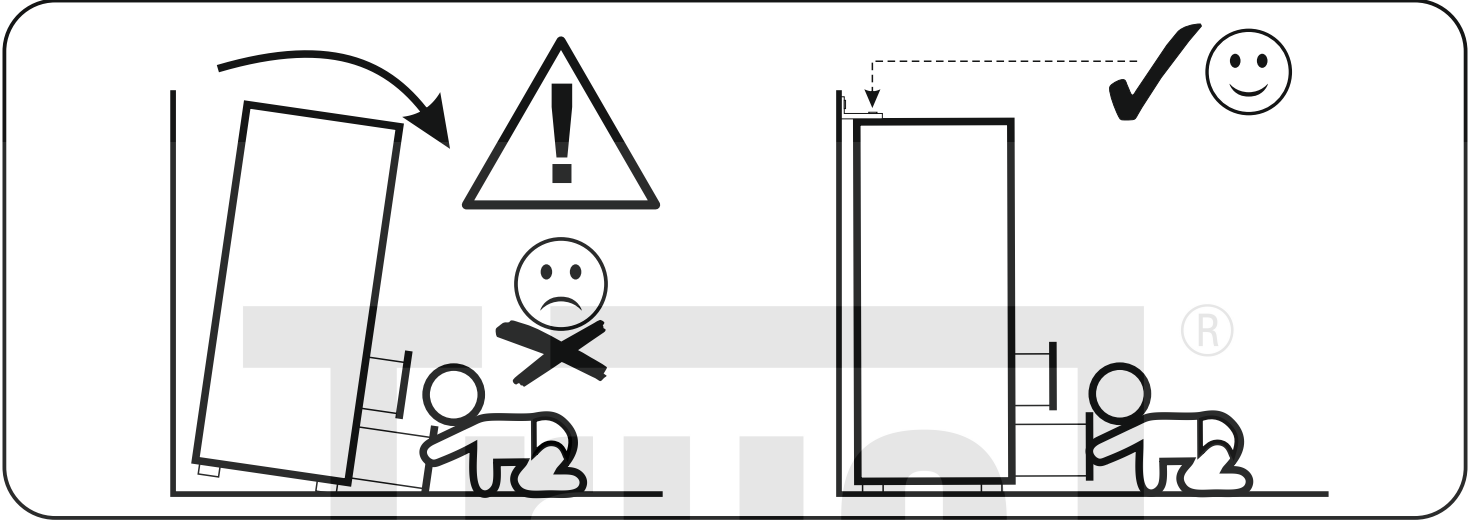
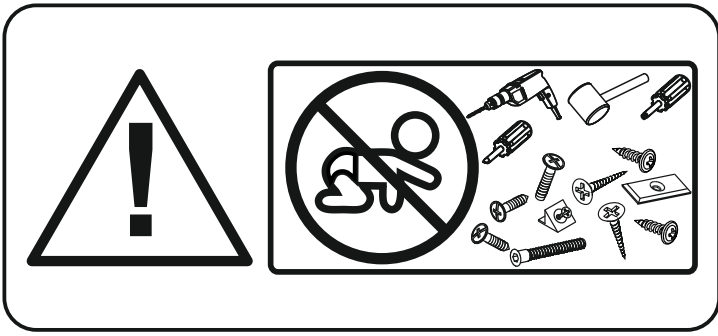
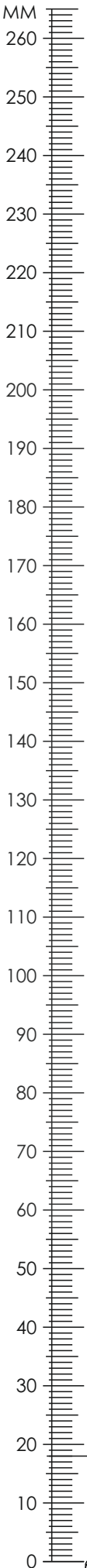


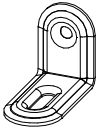
# TYP 004-89-90-B

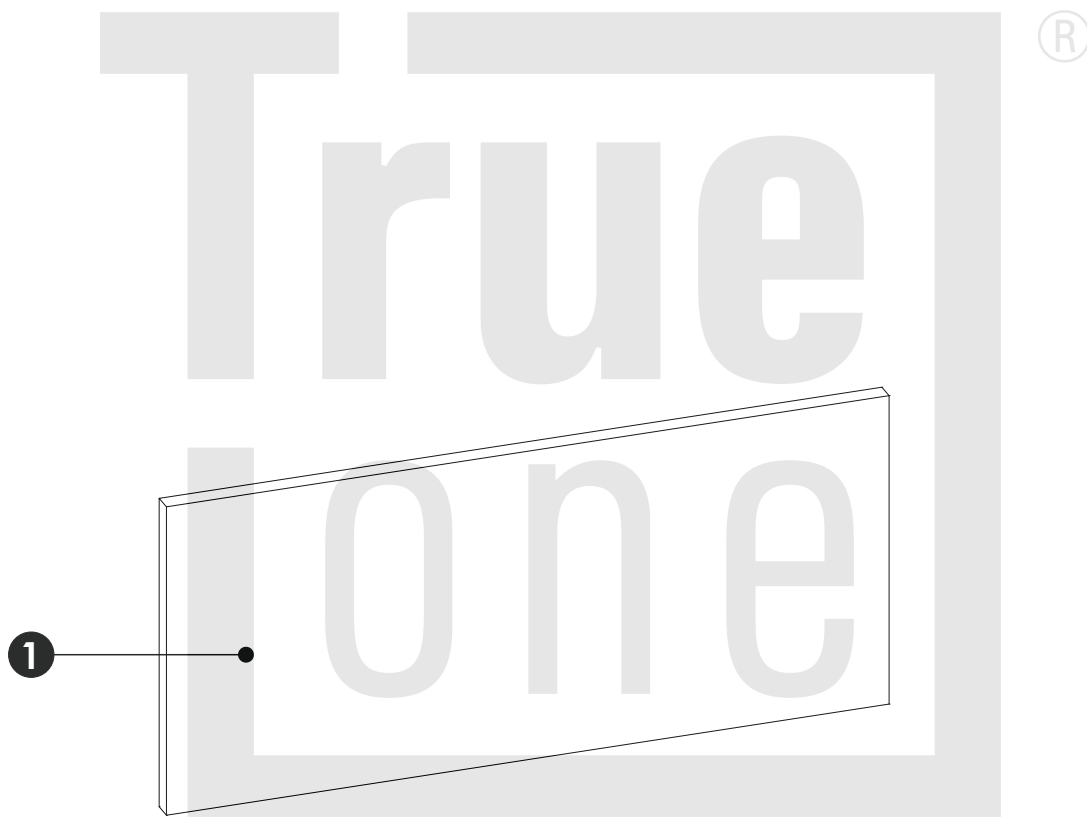




# TYP 004-89-90-B



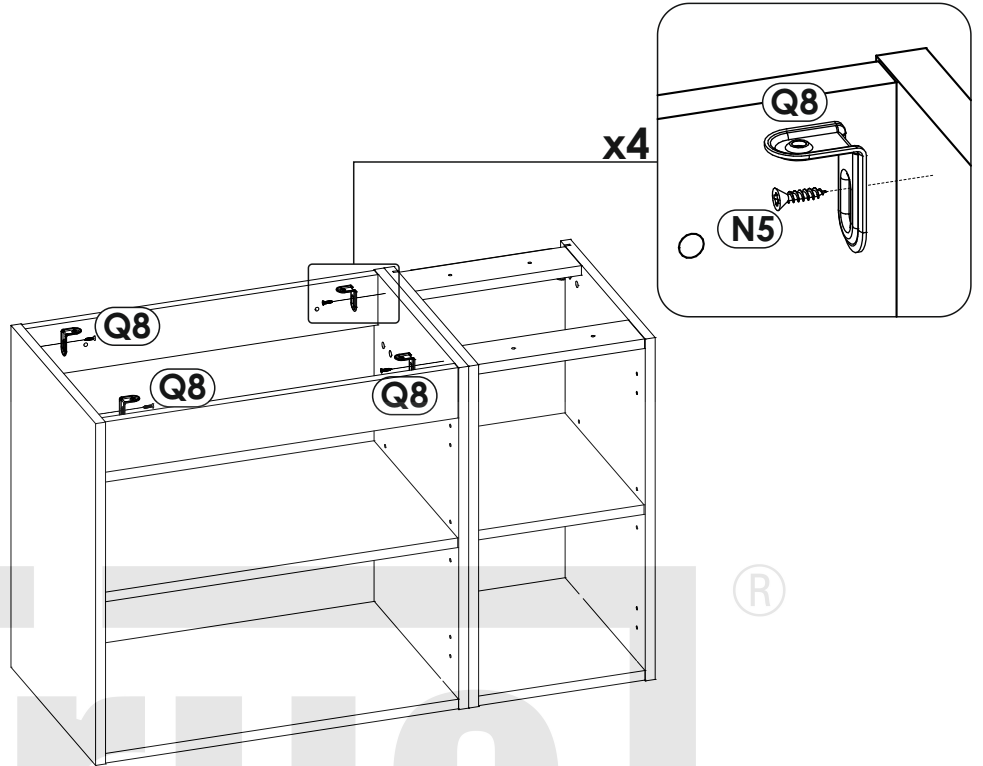
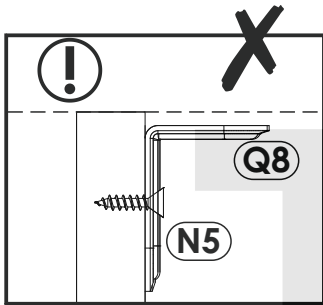
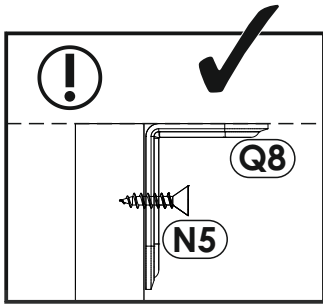
<b>N5</b>	3,5 x 16 mm	x16	<b>Q8</b>		x8
-----------	-------------	-----	-----------	---	----



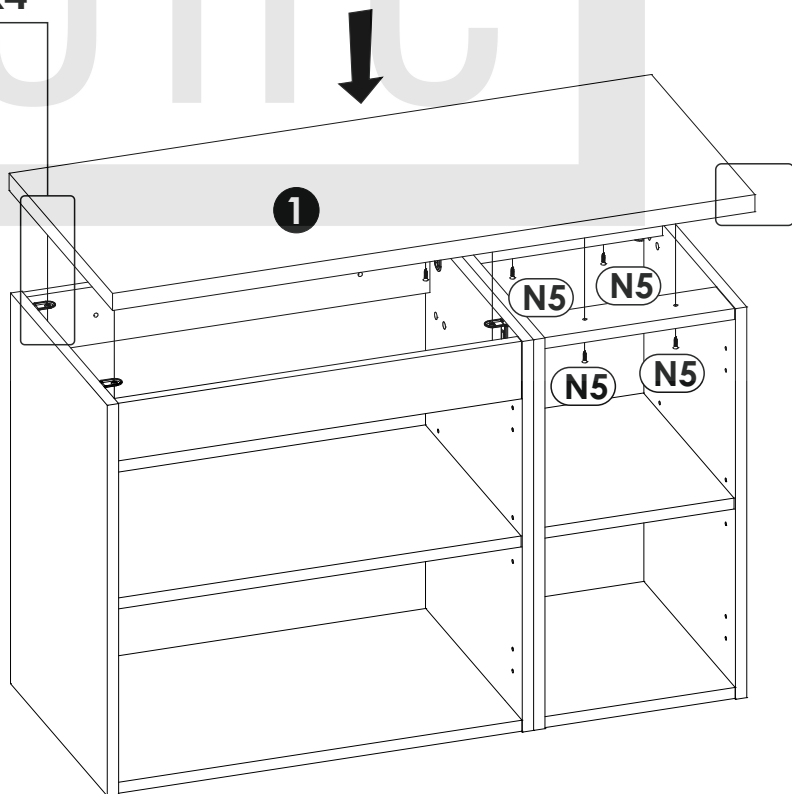
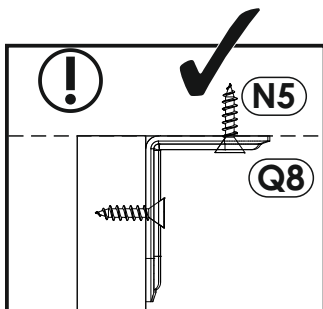
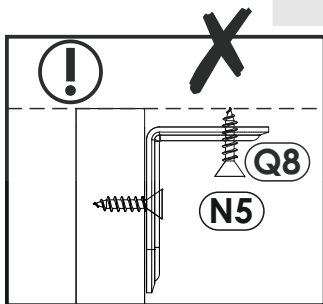
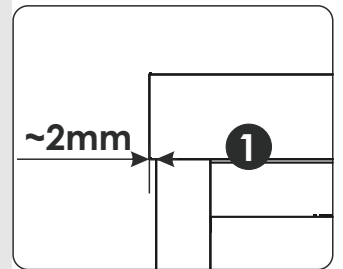
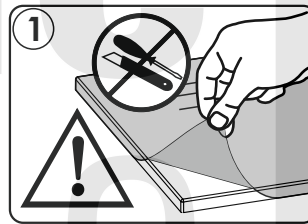
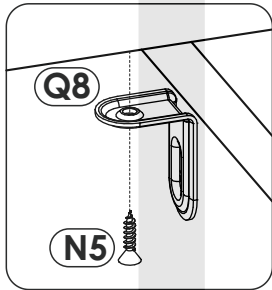
<b>1</b>	904	400	25	x1	1/1
----------	-----	-----	----	----	-----



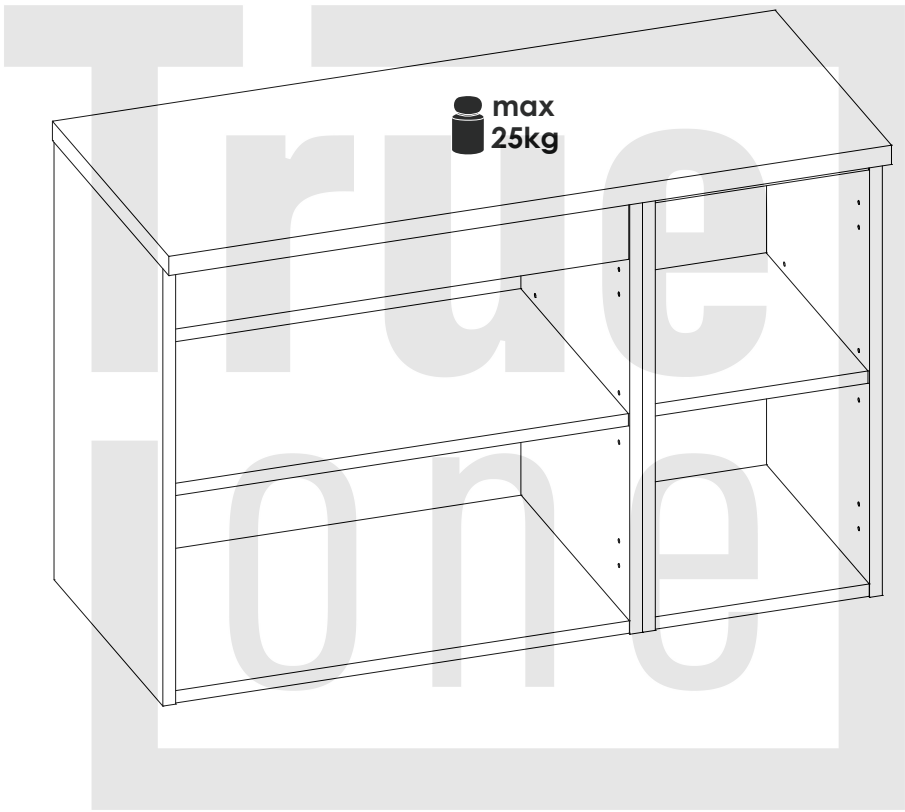
1 ▶



2 ▶

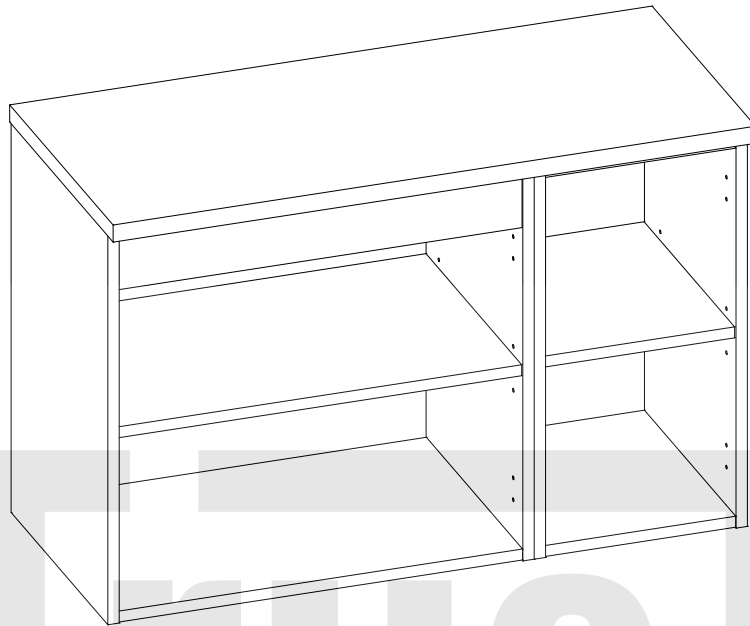
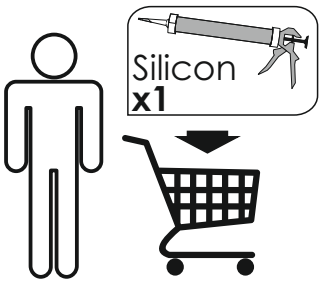


3 ▶



®





®

