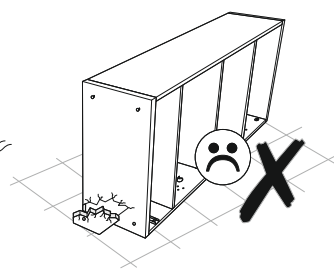
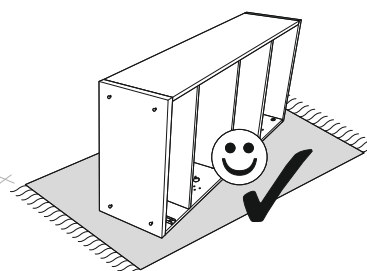
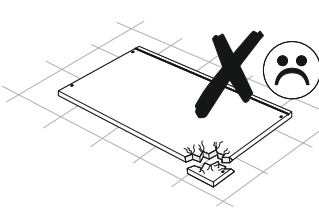
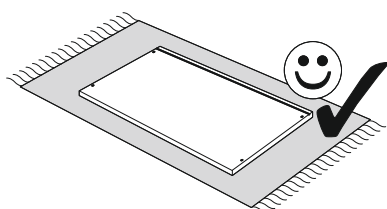
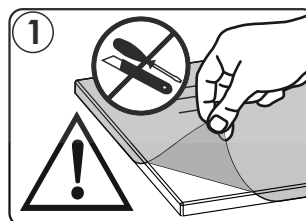
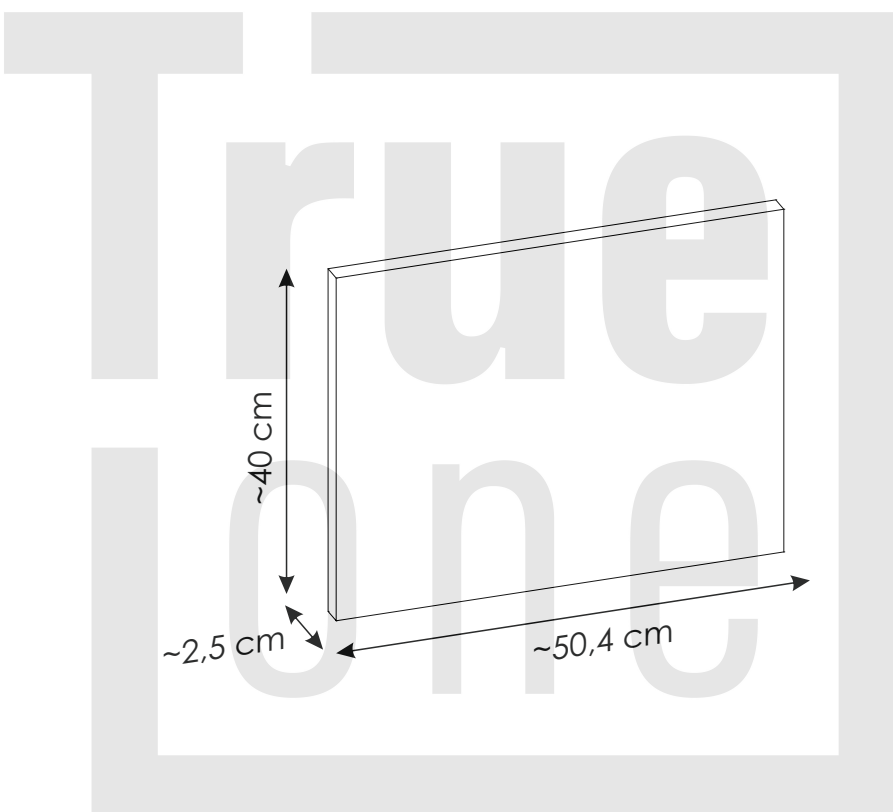
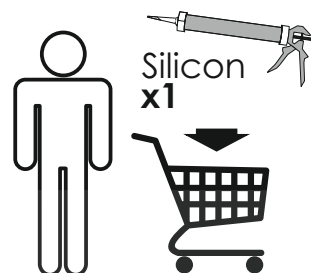
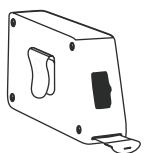
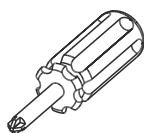
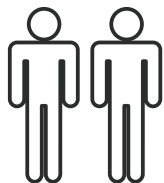
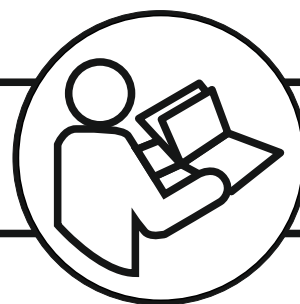
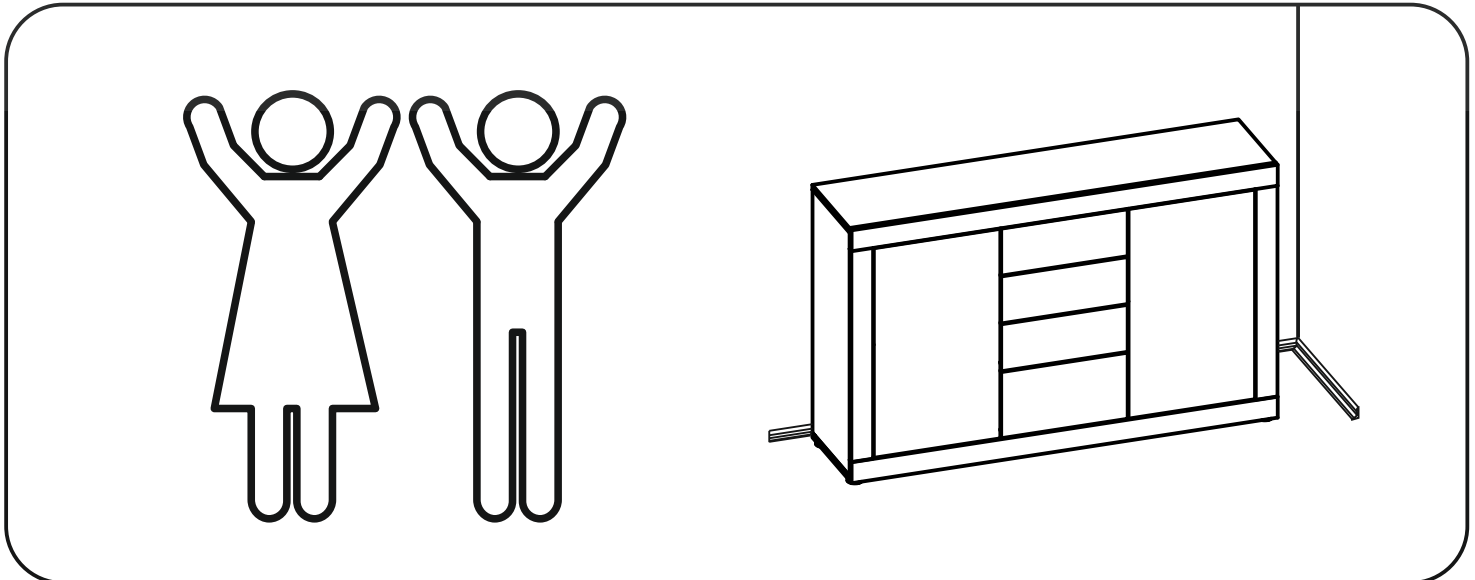
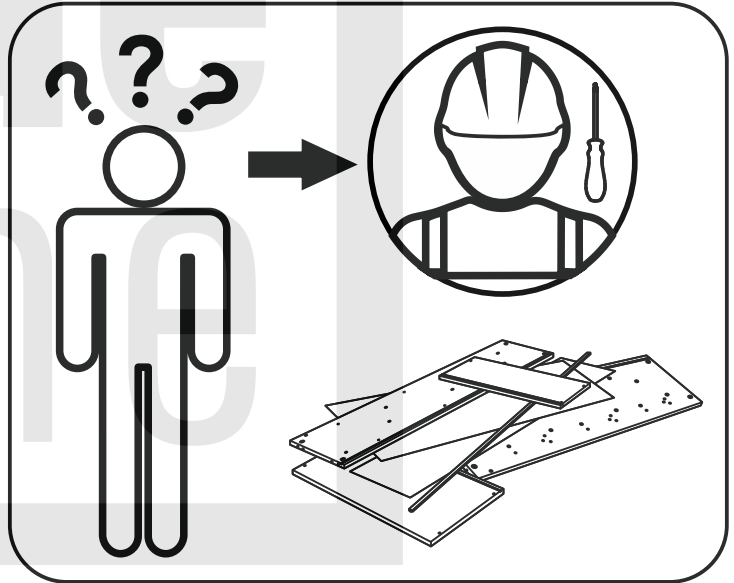
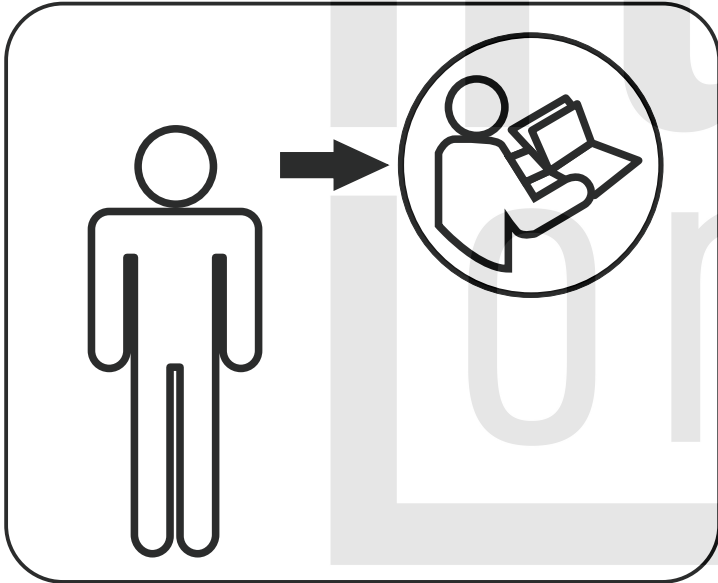
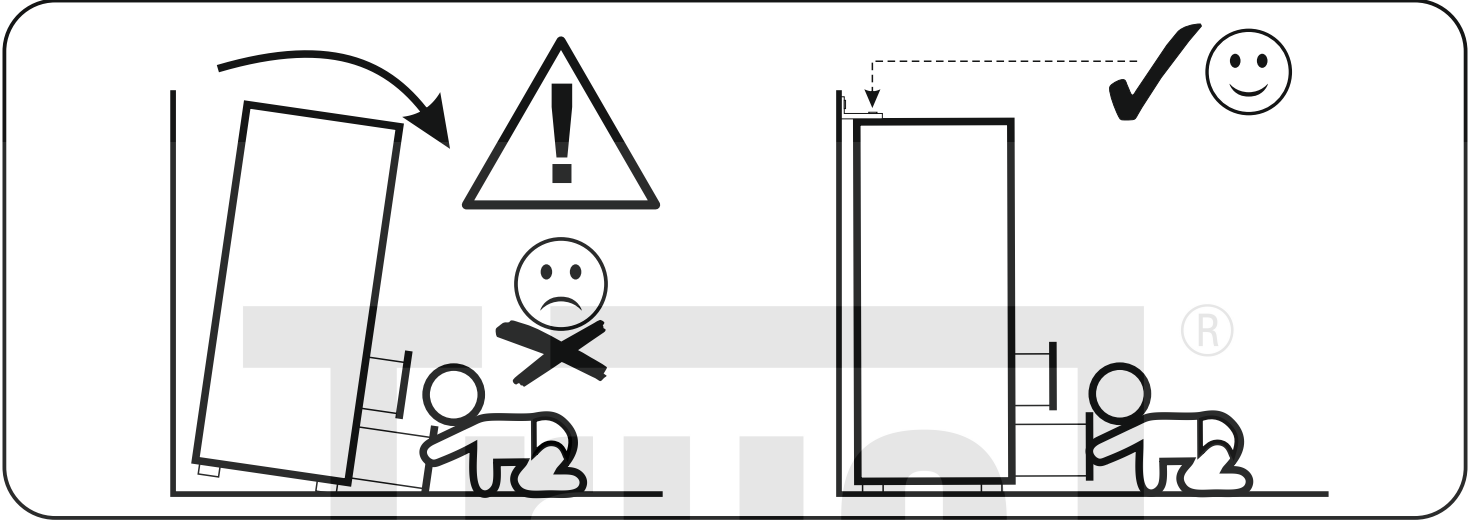
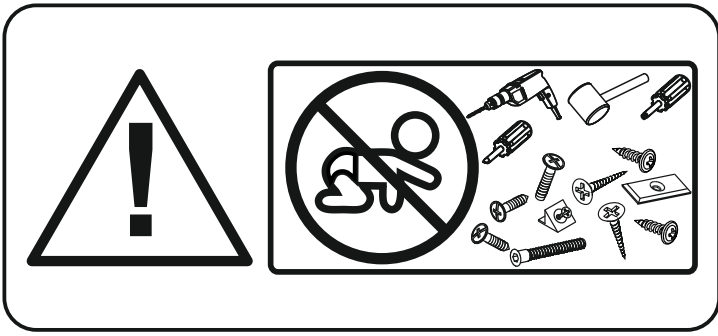
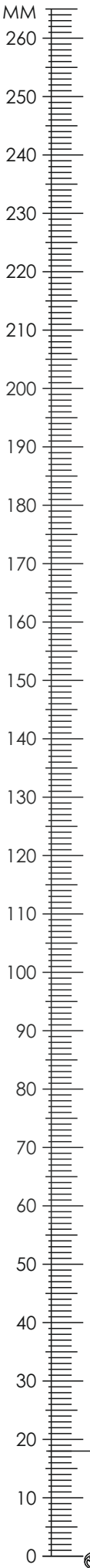



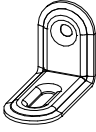
TYP 004-89-50-B

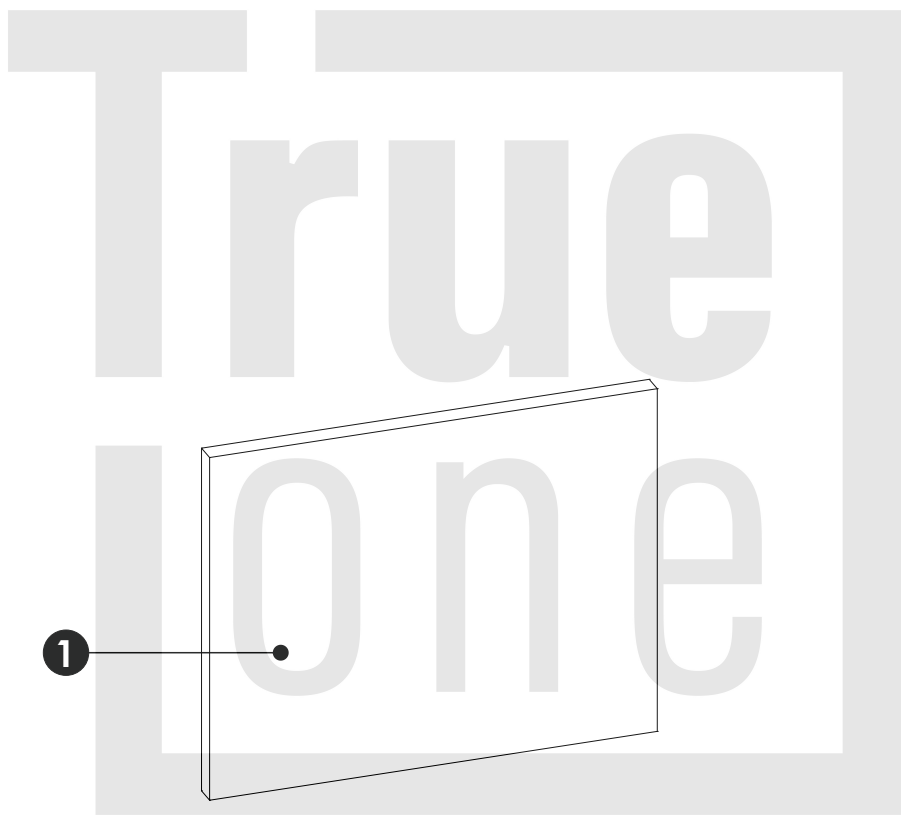




TYP 004-89-50-B

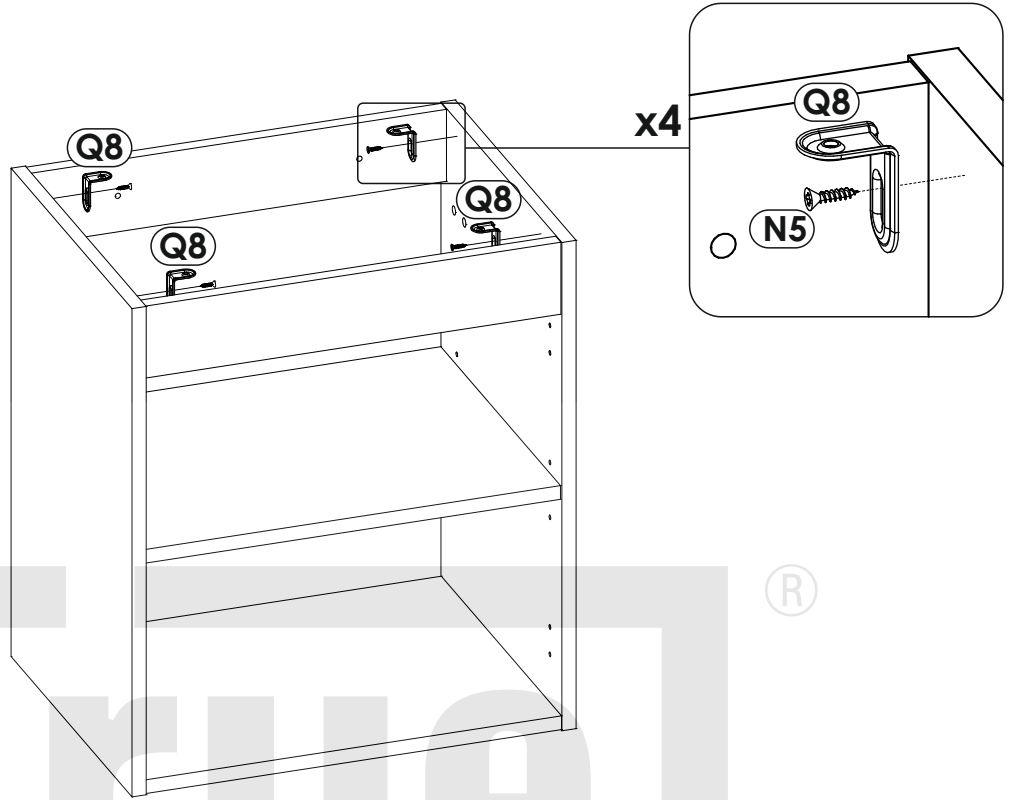
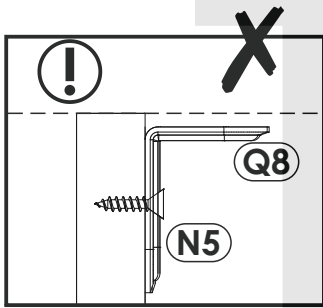
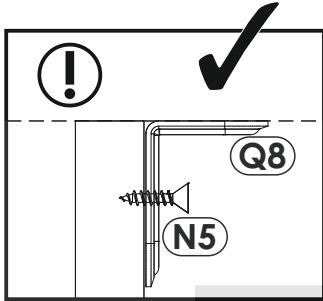


N5	3,5 x 16 mm	x8	Q8	x4
				

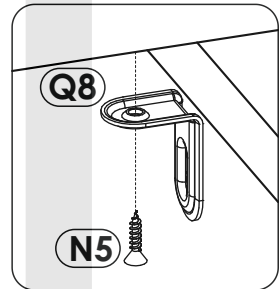
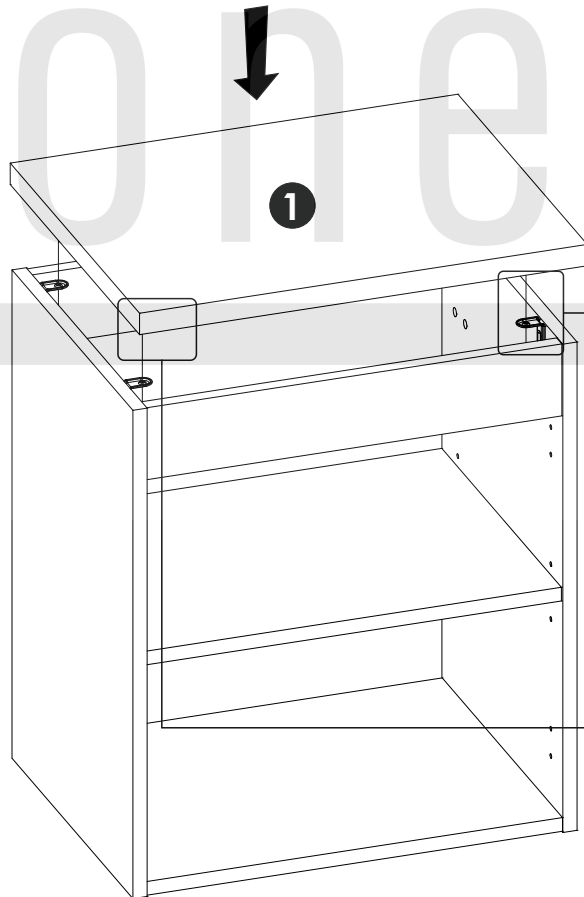
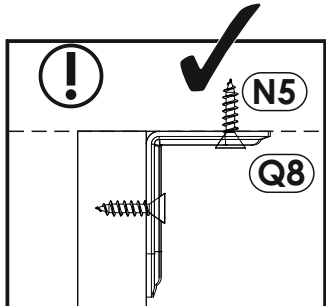
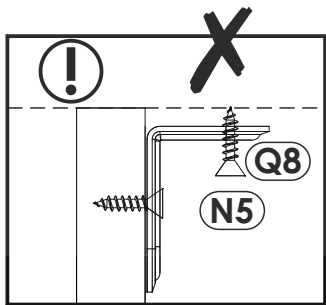
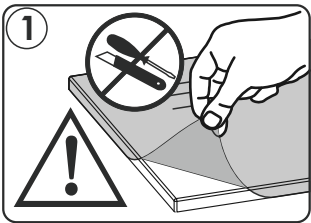


1	504	400	25 x1	1/1
----------	-----	-----	-------	-----

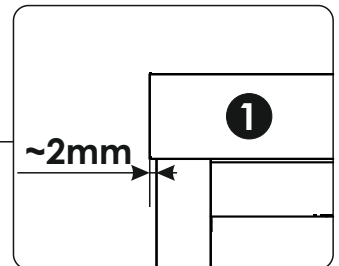
1 ▶



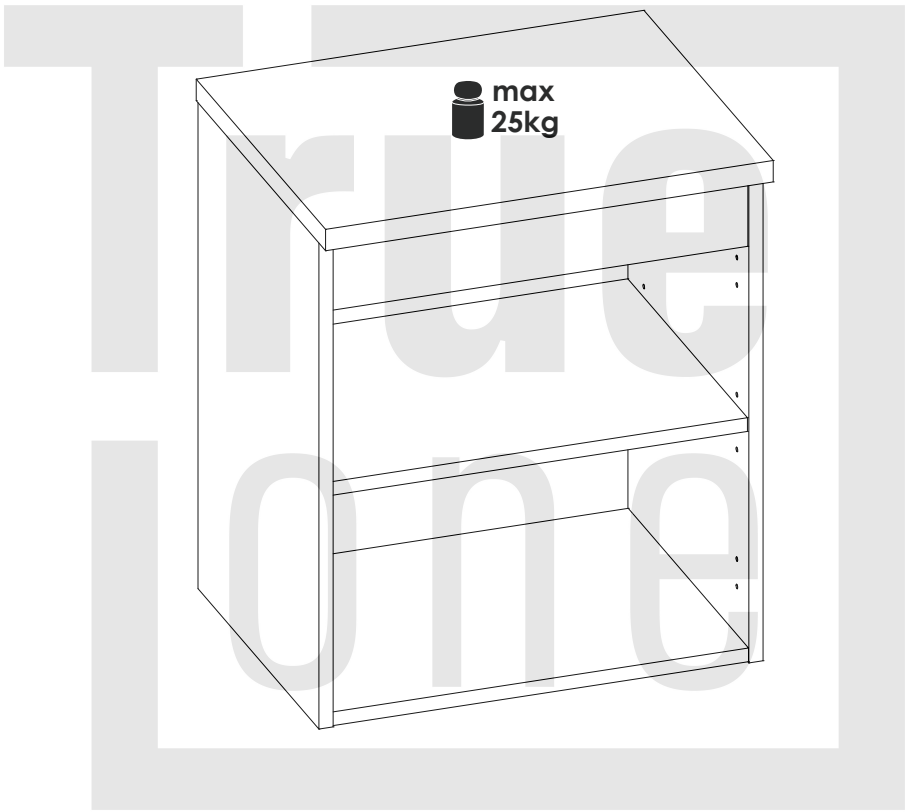
2 ▶



x4

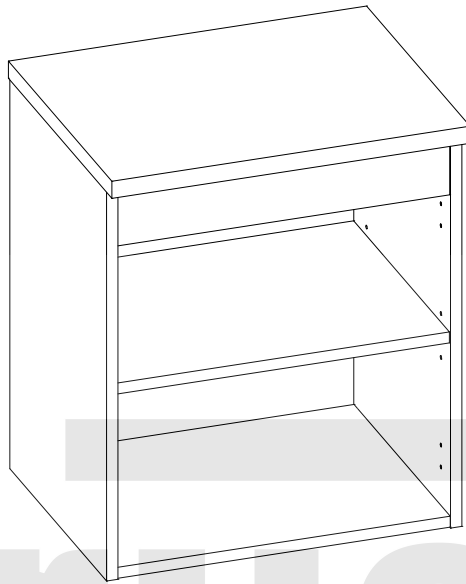
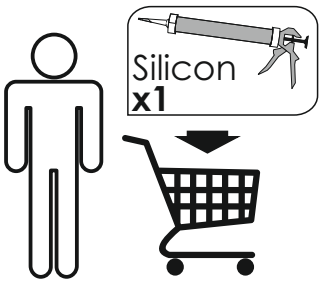


3 ▶



®





®

