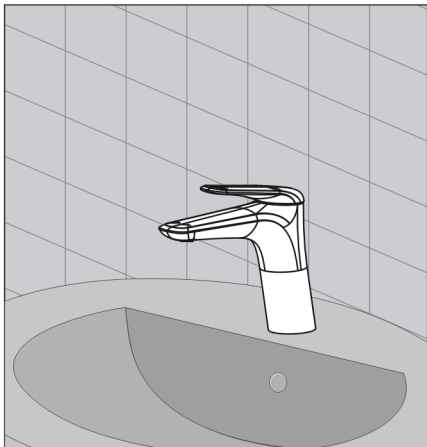


面盆龙头快速安装 使用说明书

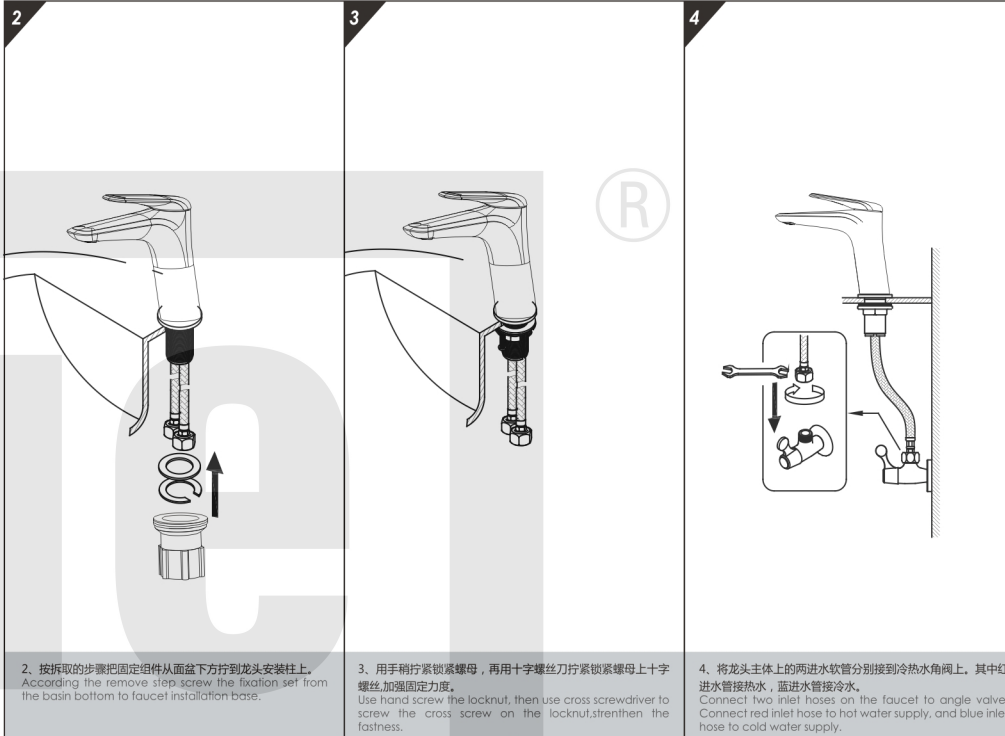
Basin Mixer Fast Installation Instruction

单柄面盆龙头 Single-lever basin mixer



一、安装注意事项 Installation Condition

1. 请您在打开产品包装后, 对照《标准配件清单》所列配件, 检查零配件是否完整, 如有缺损, 请立即与当地经销商联系。Refer to the 《Standard Part List》 when you open package, check all parts available.
2. 所购面盆与本产品基本安装尺寸相匹配。Ensure basin you buy is matching with the mixer's size.
3. 主体组的龙头心脏部分已由工厂检测及调试, 请勿自行拆装。Do not disassemble mixer body by yourself.
4. 龙头连接冷、热水管一定要特别注意: 左接热水、右接冷水, 如果连接错误将与把手上的红蓝标识提示相反。Connect inlet hoses to supply stopper. Left hose to hot water supply, and right hose to cold water supply.
5. 安装龙头前, 请务必先清除预埋水管内的杂质及污泥, 以免堵塞, 影响出水功能! Determine inlet pipes and supply stopper have been installed and cleaned, also ensure no impurities in pipeline.
6. 安装后, 请检查各连接处是否连接紧密, 管道是否有泄漏。When finished installation, check all joints and connections for leaks.
7. 进水水压要求: $0.05\text{MPa} \leq \text{进水压力} \leq 0.75\text{MPa}$ 。(包括冷水压力)
Water pressure shall be: $0.05\text{Mpa} \leq \text{Water Pressure} \leq 0.75\text{Mpa}$. (include cold water pressure)

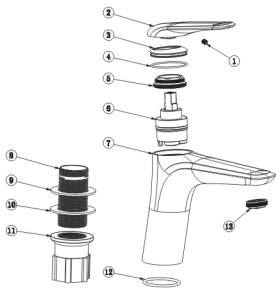


2. 按拆取步骤把固定组件从面盆下方拧到龙头安装柱上。
According to the remove step screw the fixation set from the basin bottom to faucet installation base.

3. 用手稍拧紧锁紧螺母, 再用十字螺丝刀拧紧锁紧螺母上十字螺丝, 加强固定力度。
Use hand screw the locknut, then use cross screwdriver to screw the cross screw on the locknut, strengthen the fastness.

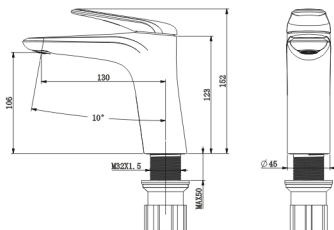
4. 将龙头主体上的两进水管分别接到冷热水角阀上。其中红进水管接热水, 蓝进水管接冷水。
Connect two inlet hoses on the faucet to angle valve. Connect red inlet hose to hot water supply, and blue inlet hose to cold water supply.

二、标准配件清单 Standard Part List

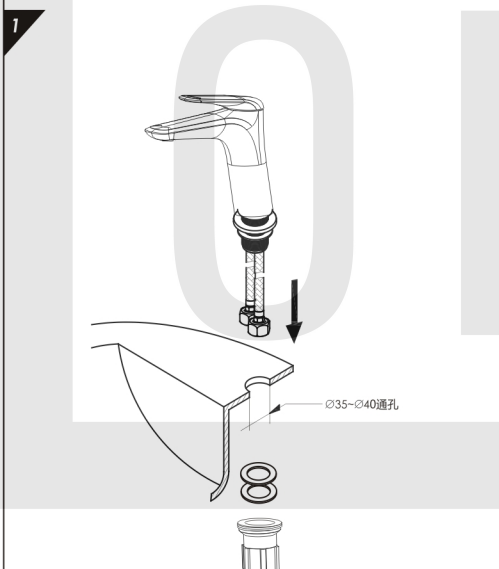


序号	零件名称	规格	颜色	数量	备注
15	把手	304	银色	1	标配
14	把手盖	304	银色	1	选配
13	把手垫圈	304	银色	1	标配
12	把手螺母	304	银色	1	标配
11	把手垫片	304	银色	1	标配
10	把手垫圈	304	银色	1	选配
9	把手螺母	304	银色	1	选配
8	把手垫片	304	银色	1	选配
7	把手垫圈	304	银色	1	选配
6	把手螺母	304	银色	1	选配
5	把手垫片	304	银色	1	选配
4	把手垫圈	304	银色	1	选配
3	把手螺母	304	银色	1	选配
2	把手垫片	304	银色	1	选配
1	把手垫圈	304	银色	1	选配

三、基本尺寸图 Essential Dimension Diagram



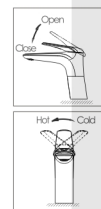
四、安装步骤 Installation Step



1. 安装前请确认面盆上钻有一个 $\varnothing 35\text{--}\varnothing 40$ 通孔, 将龙头主体底部的固定组件卸下, 然后将龙头主体总成装入面盆孔中, 主体底部必须垫上底座密封垫。
Before installation, ensure there are about 35-40 dia. hole on the basin. Remove the fixation set, insert main body through the hole, insert O-Ring through the faucet bottom.

五、使用说明 Application Instruction

1. 打开水源, 检测各连接处是否泄露。Turn on water supply, check all joints and connections for leaks.
2. 把手向上拨动为开启, 角度越大, 流量越大; 反之, 角度越小, 流量越小, 直至关闭。当把手向上开启时, 向左调节, 热水供水流量增多; 向右调节, 冷水供给量增多。
Lift handle will turn on faucet; the wider the lifting angle, the stronger the water flows or vice versa. When handle is lifted, rotating handle lever towards left will allow greater hot water flows, rotating handle lever towards right will allow greater cold water flows.



六、保养与维护 Care and Maintenance

为保持龙头表面光洁明亮, 请经常或定期清洁龙头:
In order to keep the mixer surface bright, please keep often or regularly to clean the mixer.

- 经常用清水清洗, 用软棉布抹干龙头即可。
Wash faucet with clean water, and wipe with soft cotton cloth.
- 切勿使用去污粉或抛光粉等含粗颗粒的洗涤剂或尼龙刷帚, 以免磨损产品;
Avoid using cleaning powder, harsh cleaning chemicals, brushes, and cloth with coarse surface to prevent scratching and corrosion.
- 由于酸性洗涤剂能侵蚀镀层, 故不得使用。如果用酸性洗涤剂洗过瓷砖, 应立即对瓷砖及器具充分进行水洗, 以免洗涤剂流到龙头表面, 侵蚀龙头镀层。
Do not use acidic cleaning agents for washing the faucet as it may cause corrosion on the surface of faucet. Rinse off with water immediately if the faucet in contact with harmful acidic agents.



如需进行大量清洁工作, 请遵照下列程序:
If must carry on the massive clearing, please obey the following procedure:

1. 使用清水及软布, 尽量清除表面污垢及垢膜;
Use clear water and the soft cloth, eliminate the superficial dirt and the filthy membrane as far as possible;
2. 使用下列任何一种清洁剂去除表面污垢及垢膜;
Use the any following cleanser to remove the superficial dirt and the filthy membrane.
 - 温和的液体清洁剂。
Temperate liquid cleanser.
 - 无色的玻璃清洁剂, 不具研磨作用并能完全溶解的粉状清洁剂(并按指示混合)。
The colorless glass cleaner, does not have the powdery cleanser which the abrasive action and can dissolve completely (according to instruction mix).
 - 不含磨损作用的擦亮液。
Polish liquid which does not abrasive action.
3. 清洁完成后, 请用清水去除全部清洁剂并用软棉布抹干。
After clearly, please remove the complete clearing agent with the clear water, and wipes with soft cotton fabric.

我公司一贯奉行不断提高和改善其产品设计及性能的政策; 并保留对其产品规格的更改权力, 届时恕不另行通知。
Our company all along enhance and improve its product design and the performance policy unceasingly; And retain to its product specification change authority. Do no inform at the appointed time.