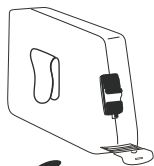
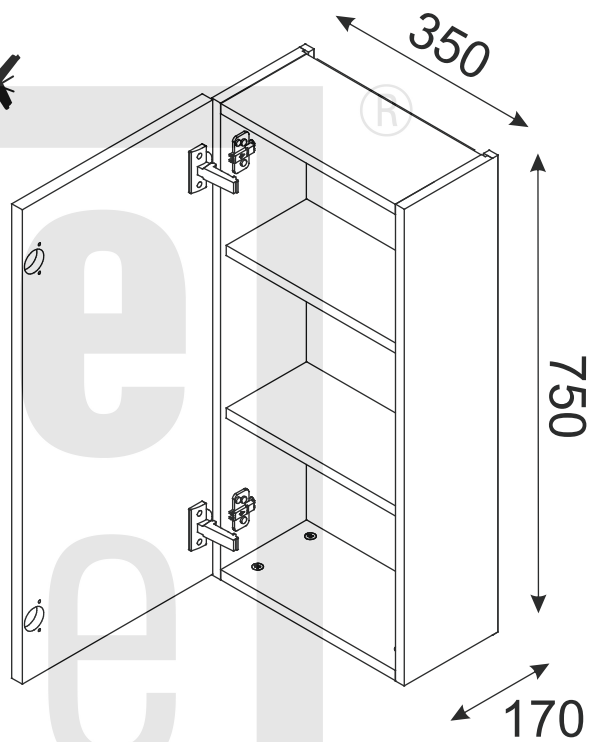
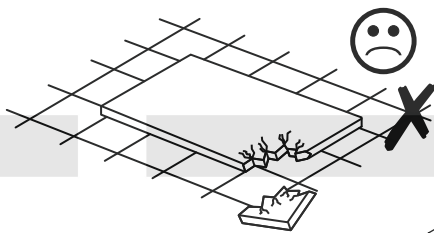
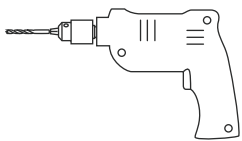
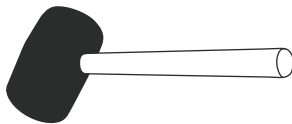
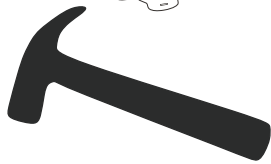


60min



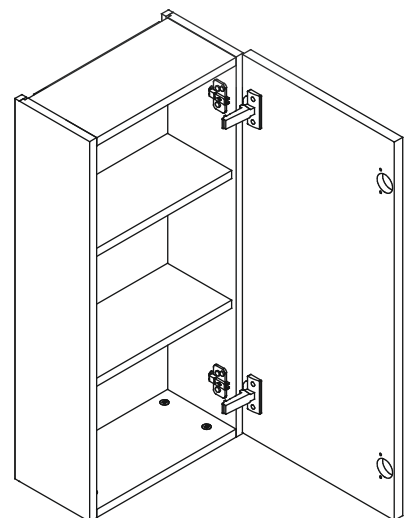
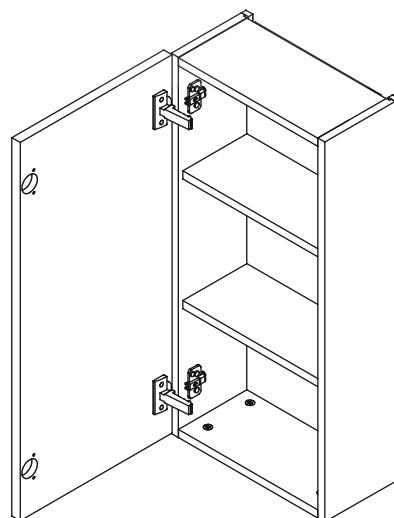
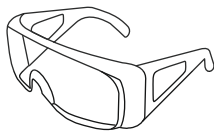
mm



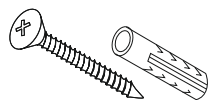
Ø10

L

R



4 x

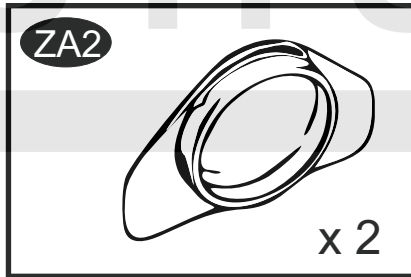
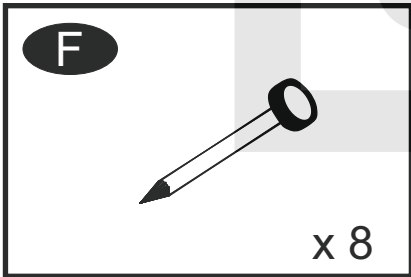
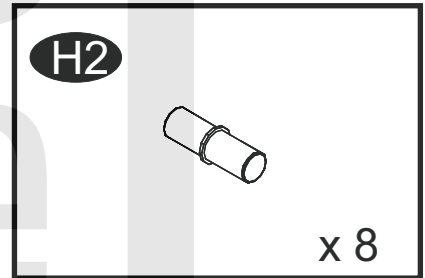
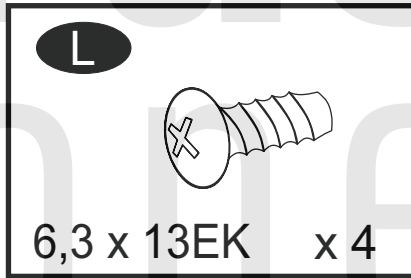
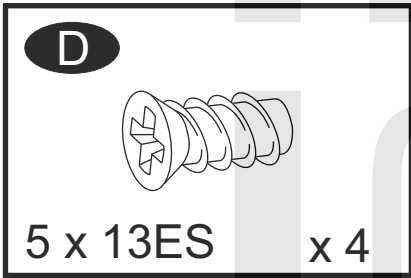
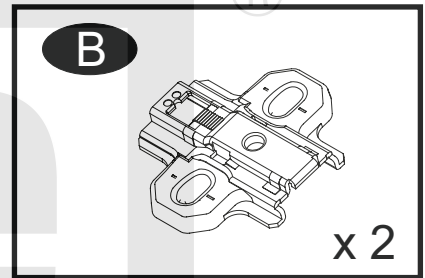
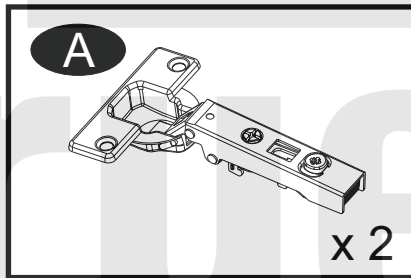
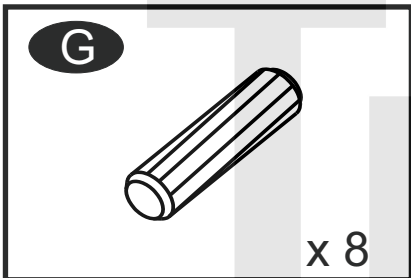
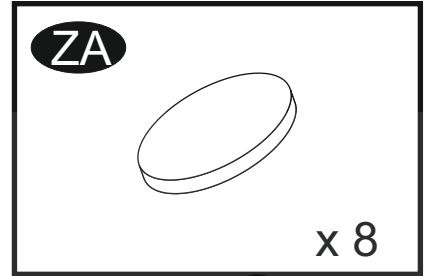
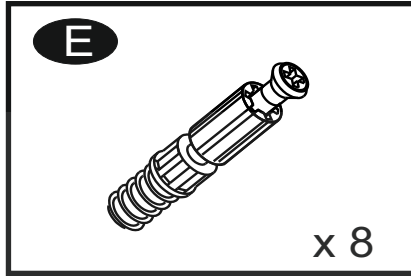
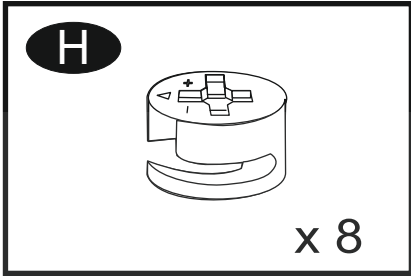
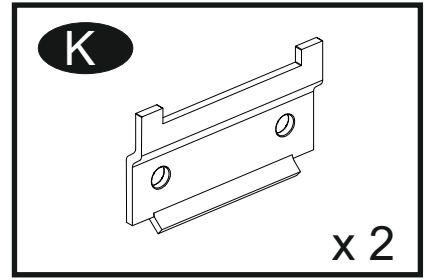
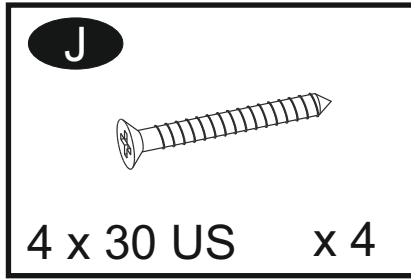
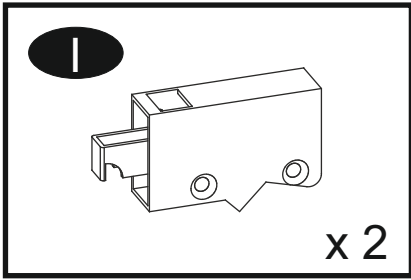


Ø10

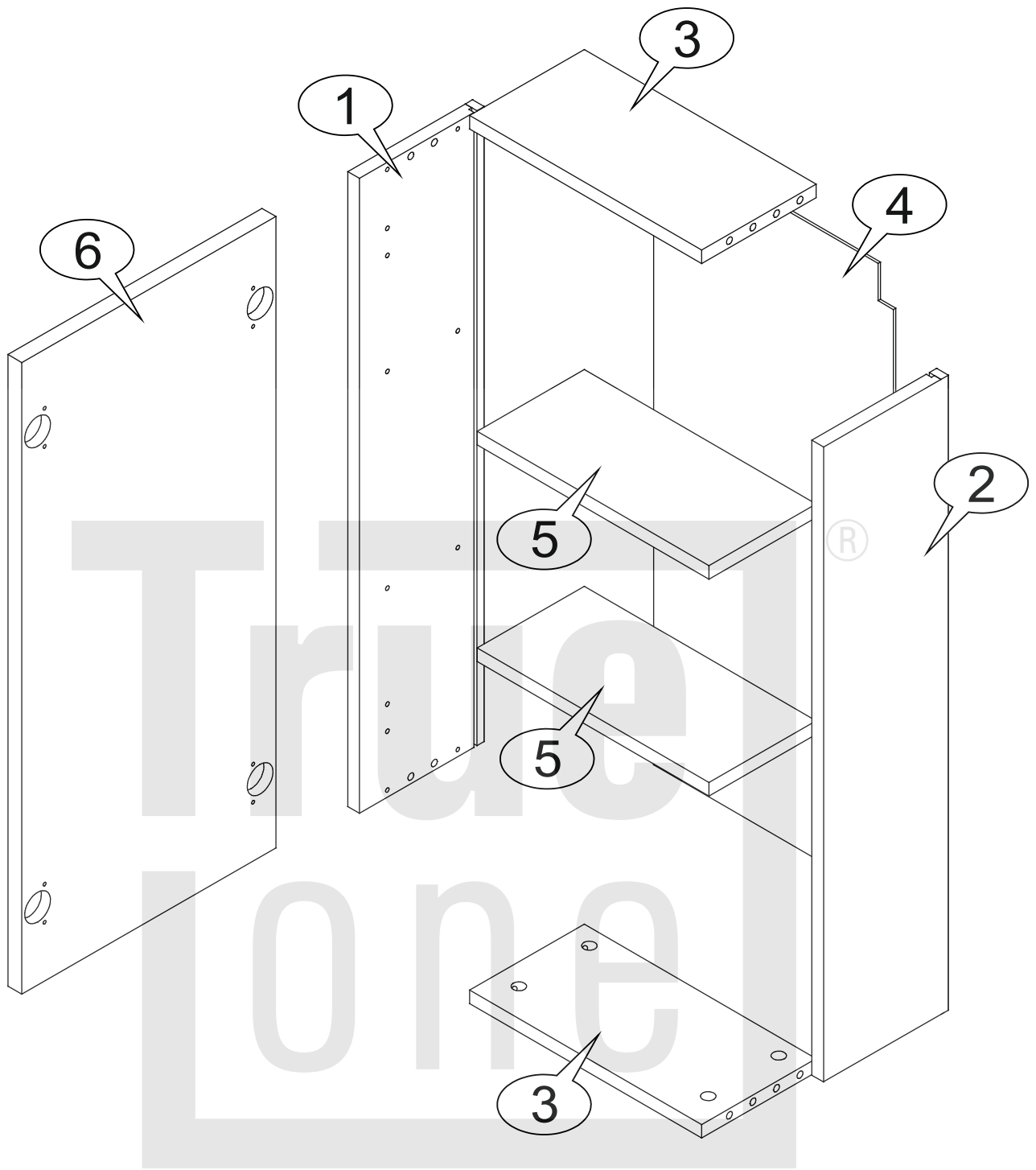


mm

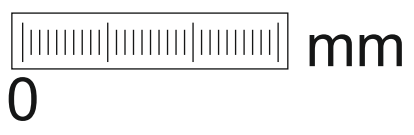
0

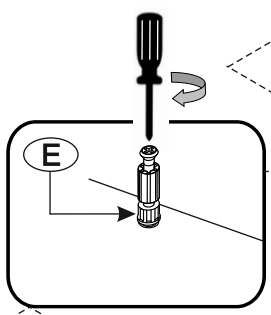
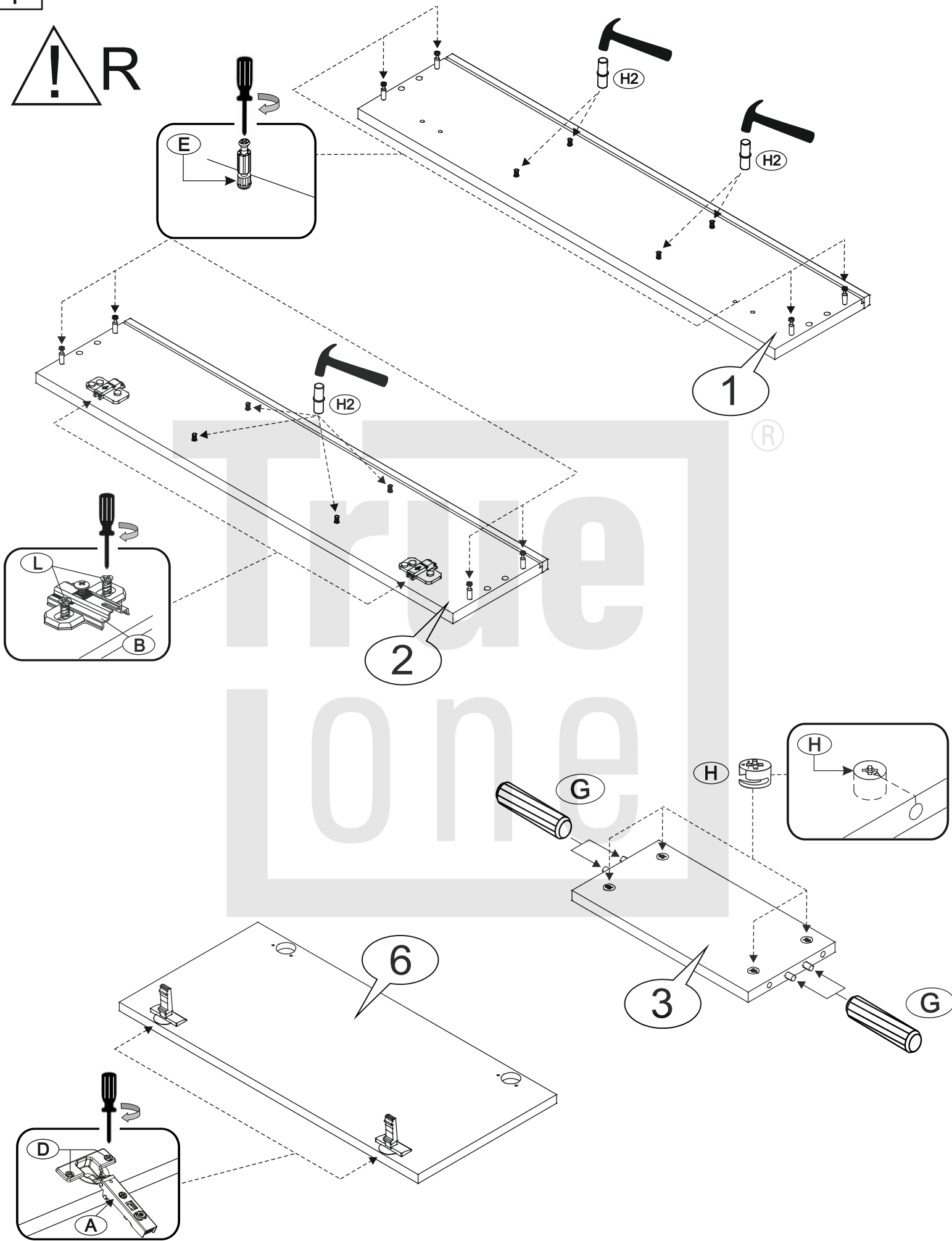


0



1	750	170	x 1
2	750	170	x 1
3	317	156	x 2
4	746	328	x 1
5	317	146	x 2
6	746	346	x 1



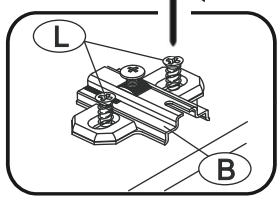


H2

H2

1

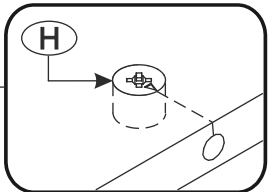
®



2

G

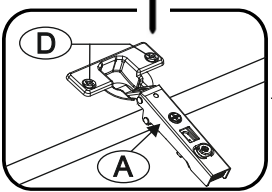
H



3

G

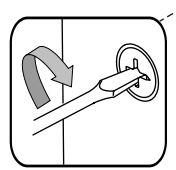
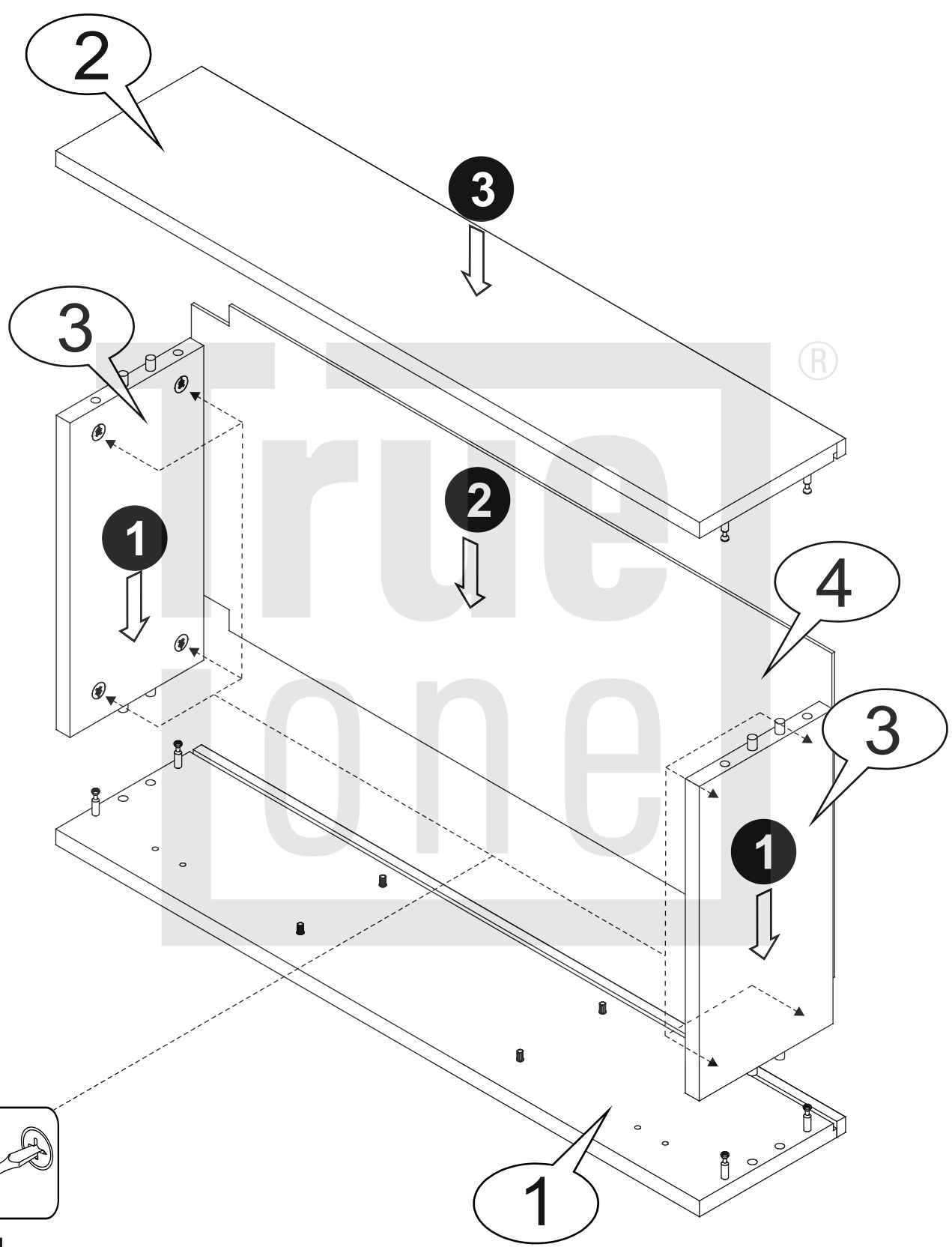
6



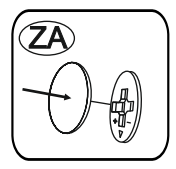
D

A

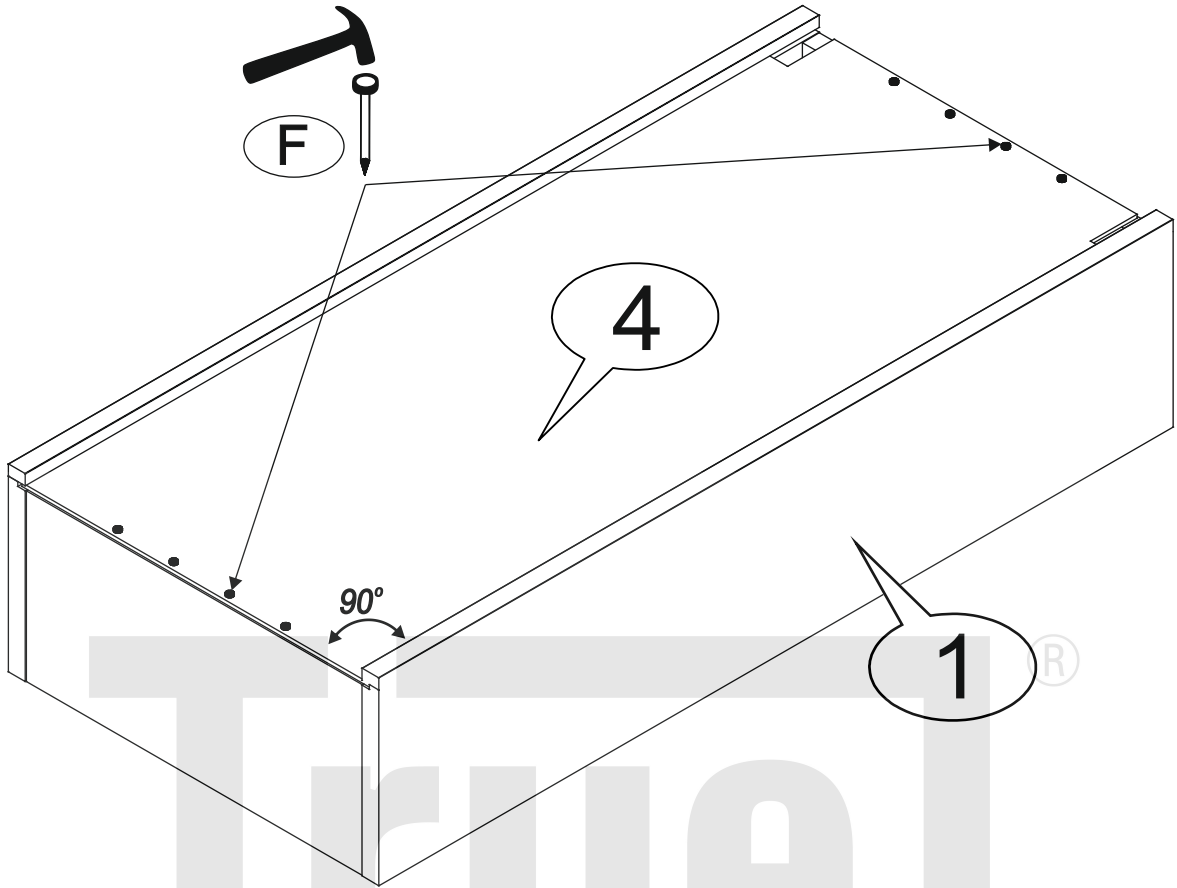




+



3



4

