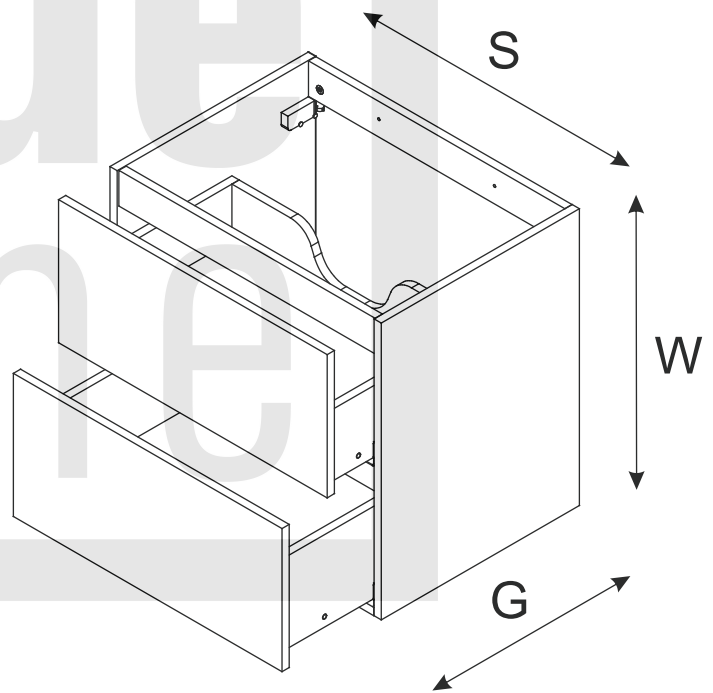
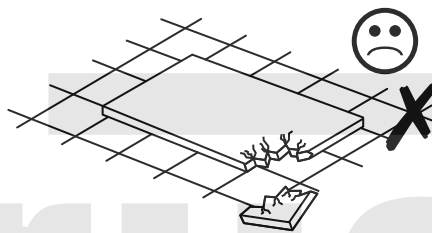
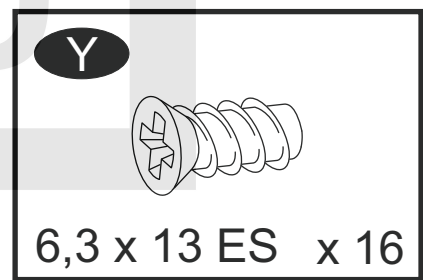
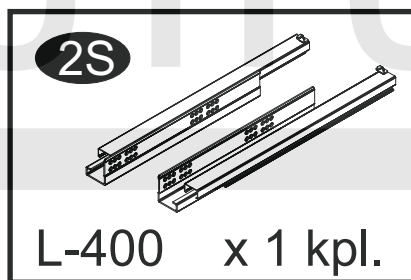
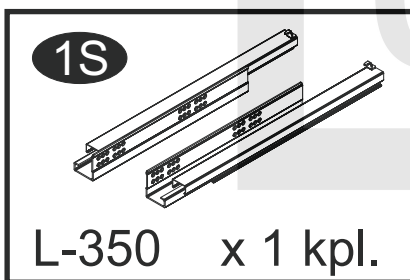
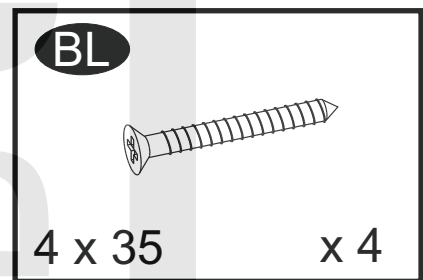
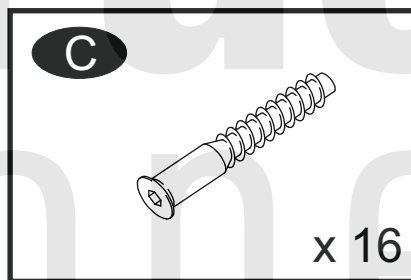
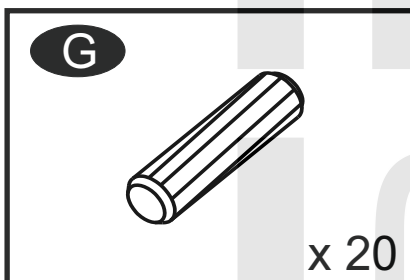
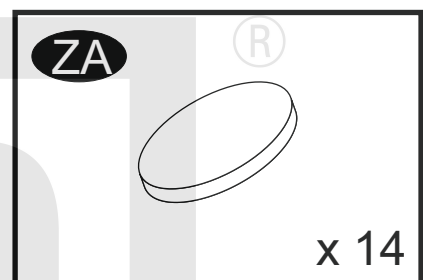
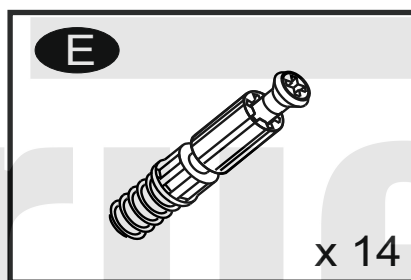
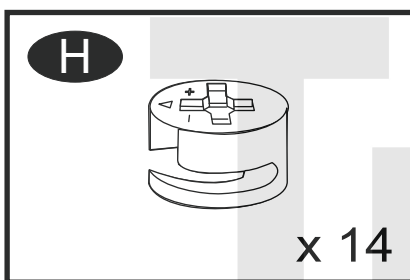
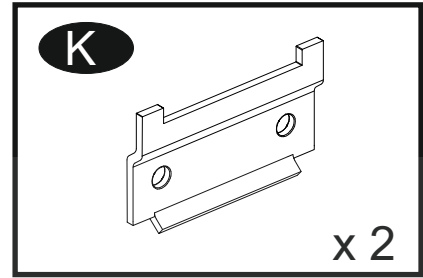
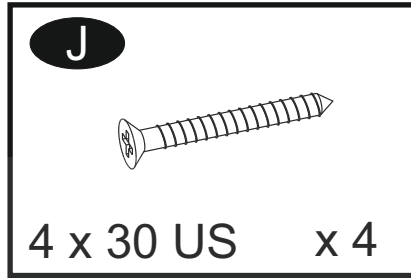
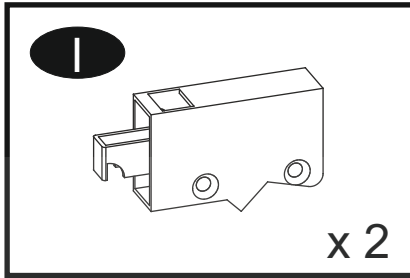
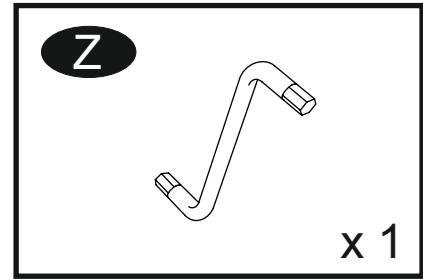
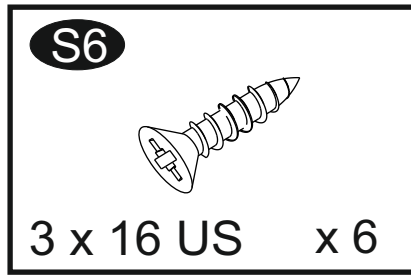
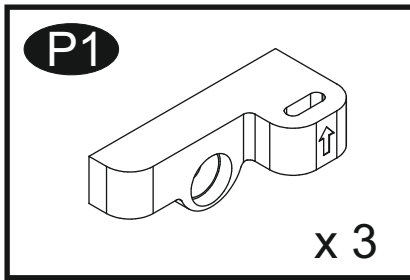


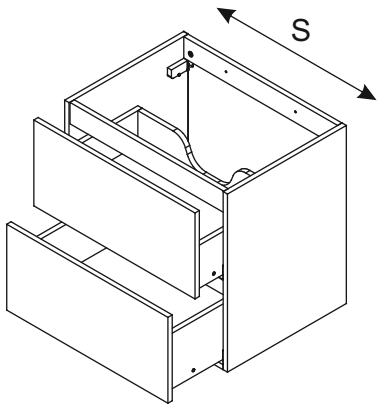
0



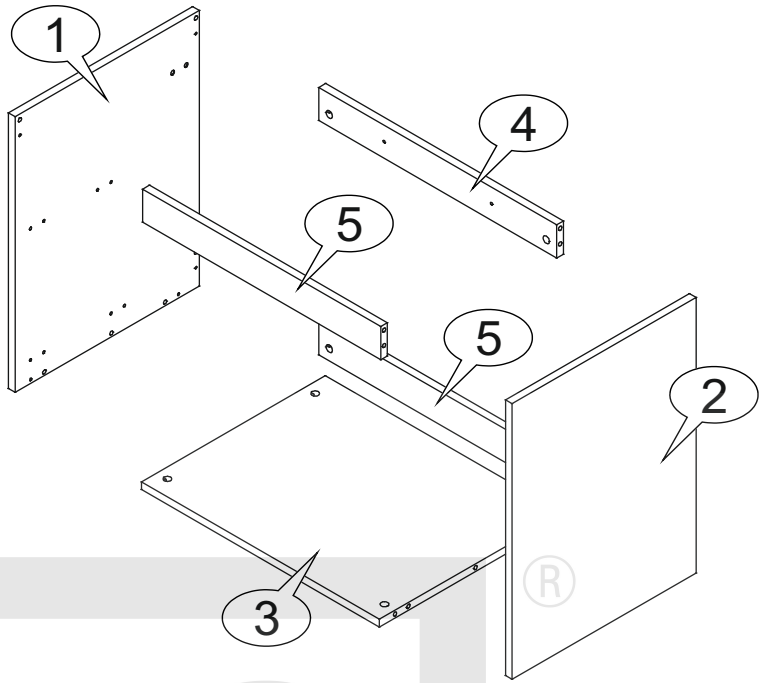
S [mm]	W [mm]	G [mm]
600	570	440
700	570	440
800	570	440
900	570	440
1200	570	440



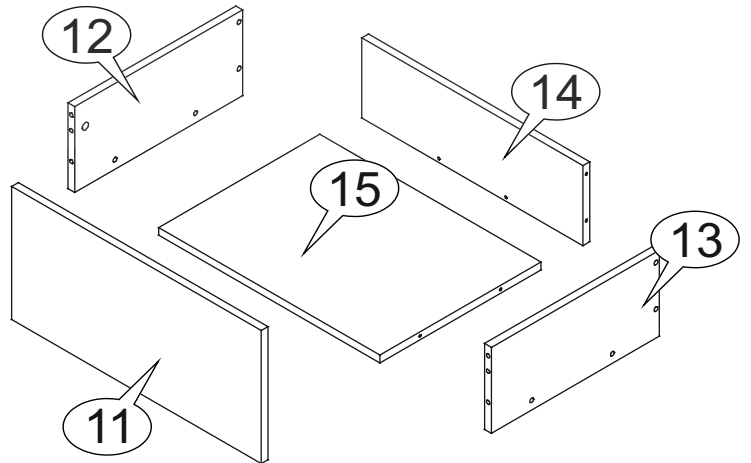
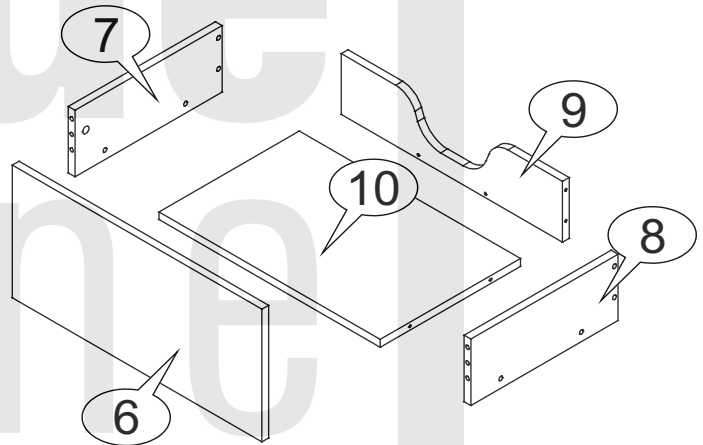
0



S = 600mm  
 S = 700mm  
 S = 800mm  
 S = 900mm  
 S = 1200mm



1	440	570	x 1
2	440	570	x 1
3	S-33mm	440	x 1
4	S-33mm	70	x 1
5	S-33mm	70	x 2
6	S-4mm	280	x 1
7	350	138	x 1
8	350	138	x 1
9	S-73mm	126	x 1
10	S-73mm	334	x 1
11	S-4mm	280	x 1
12	400	178	x 1
13	400	178	x 1
14	S-73mm	166	x 1
15	S-73mm	384	x 1



0

