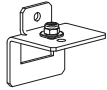
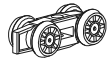


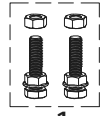
x1



x5



x2



x1



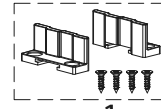
x2



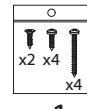
x2



x3



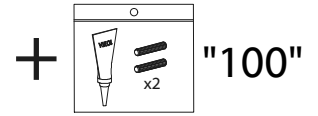
x1



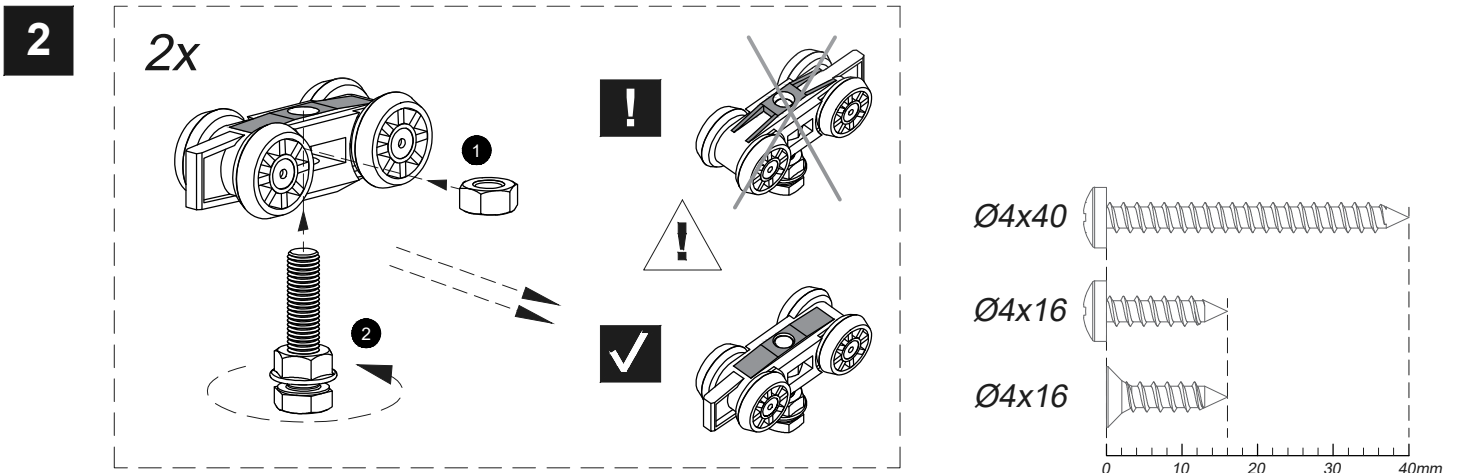
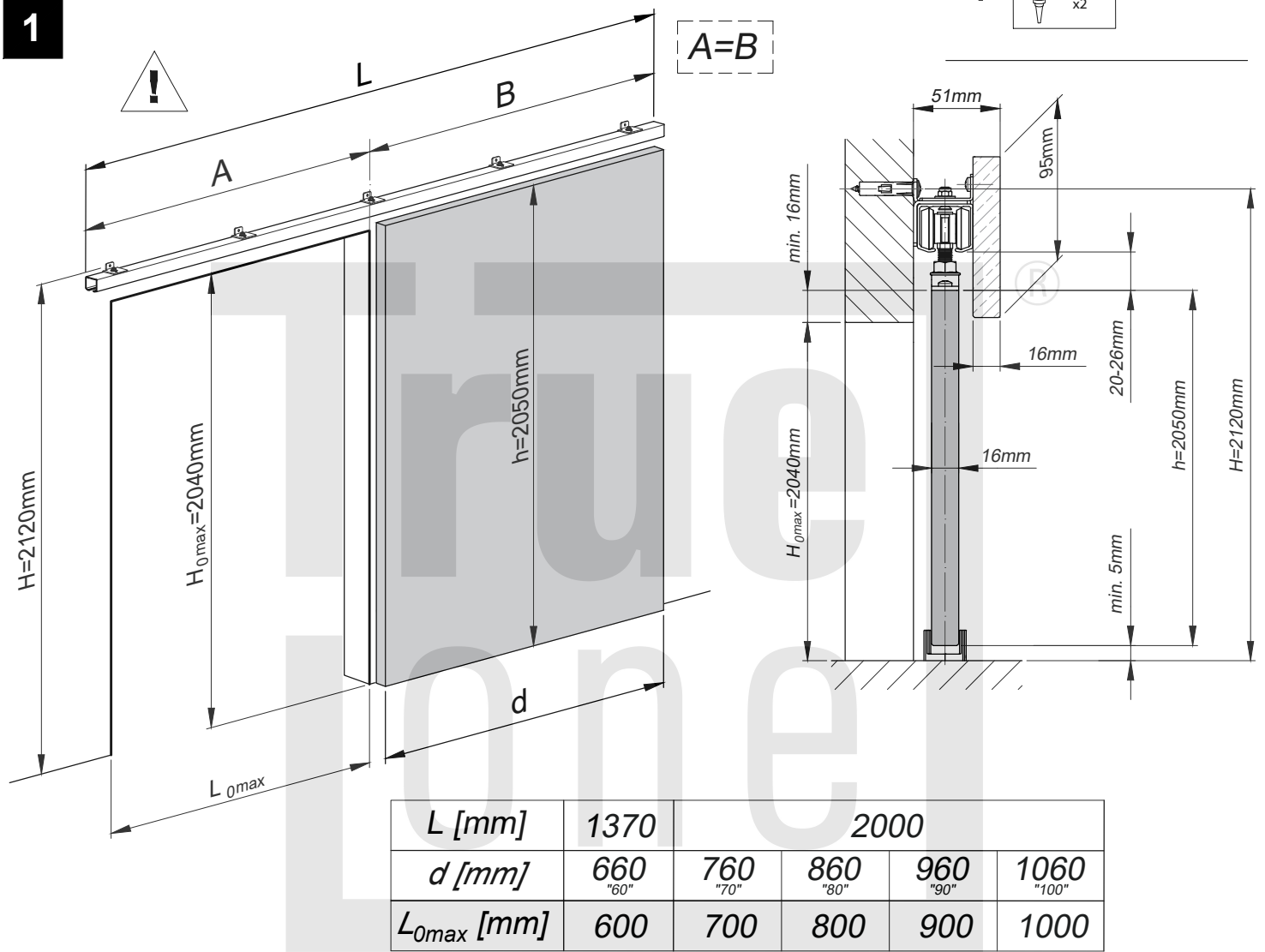
x1



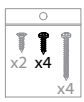
40
KG



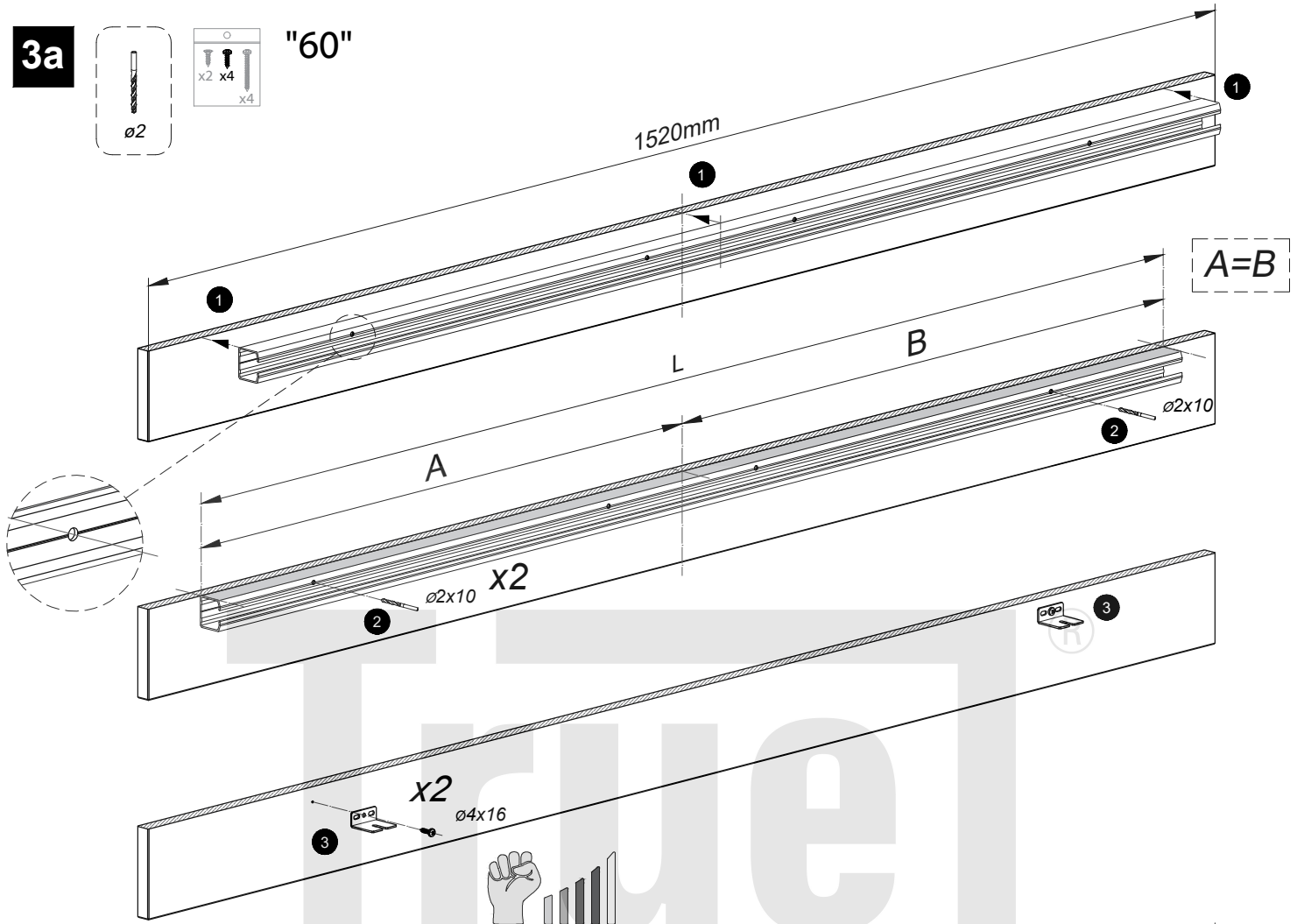
"100"



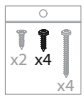
3a



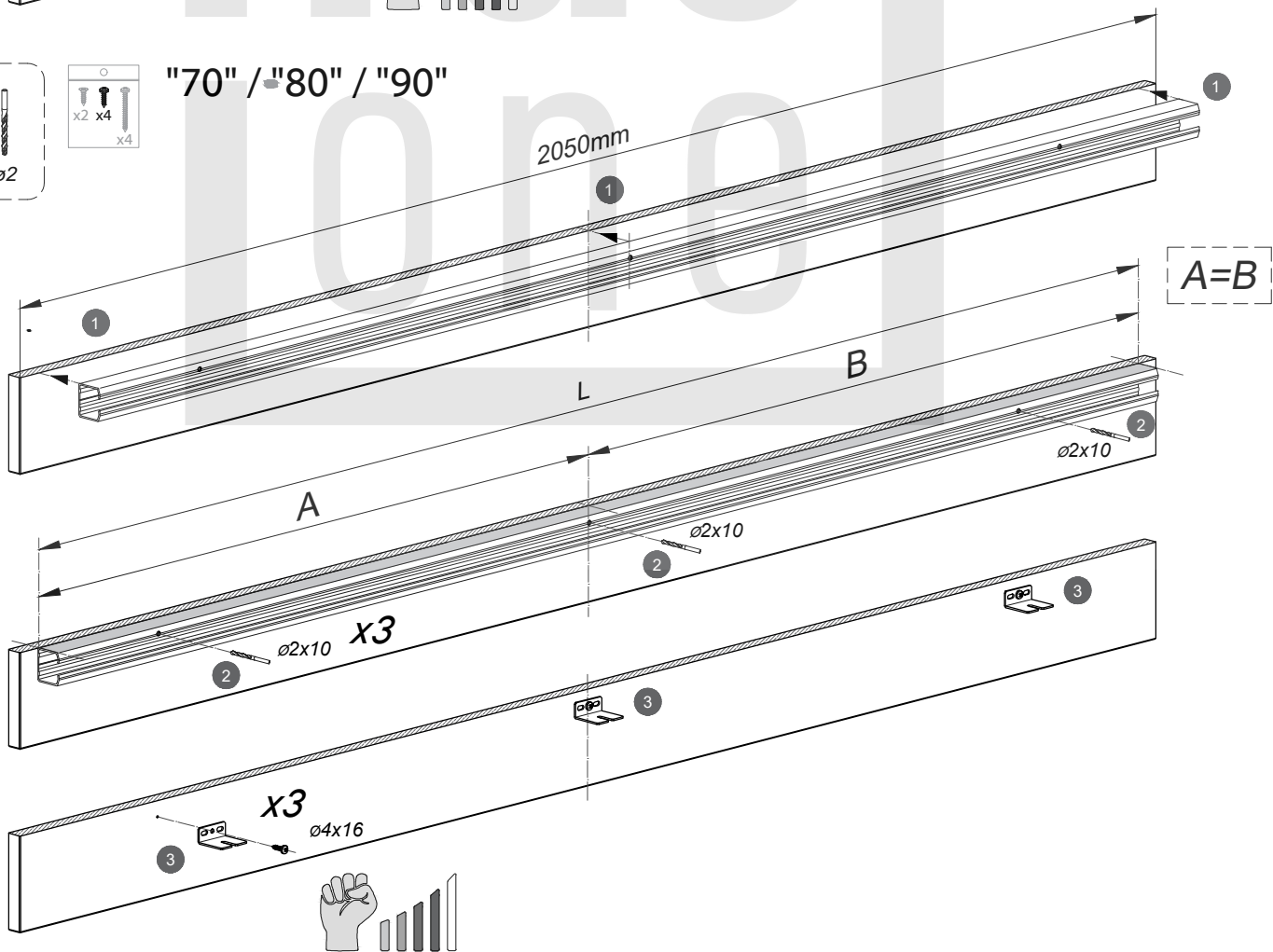
"60"



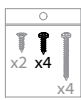
3b



"70" / "80" / "90"



3c



"100"



1100mm

1100mm

2200mm

A=B

A

B

L

Ø2x10

Ø2x10 x2

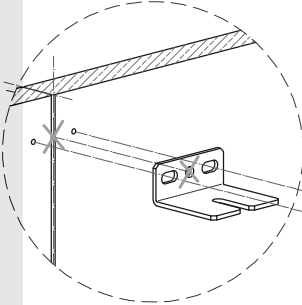
Ø2x2

Ø4x16

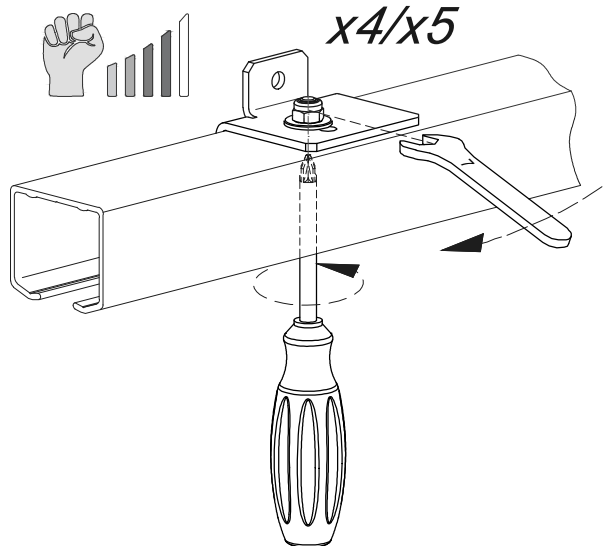
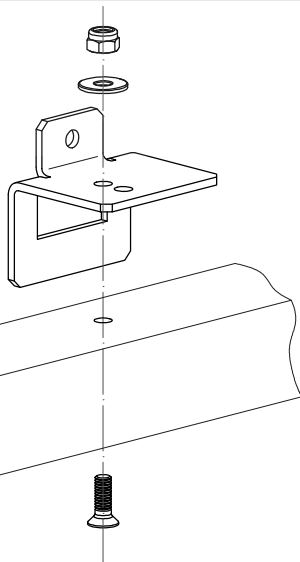
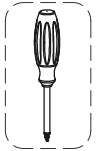
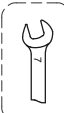


Ø2x10

Ø4x16



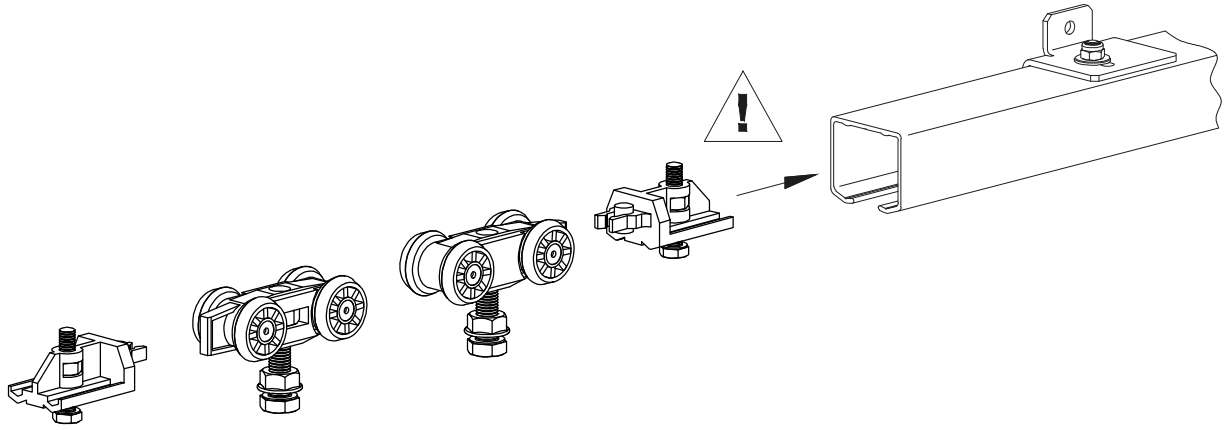
4



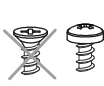
x4/x5



5

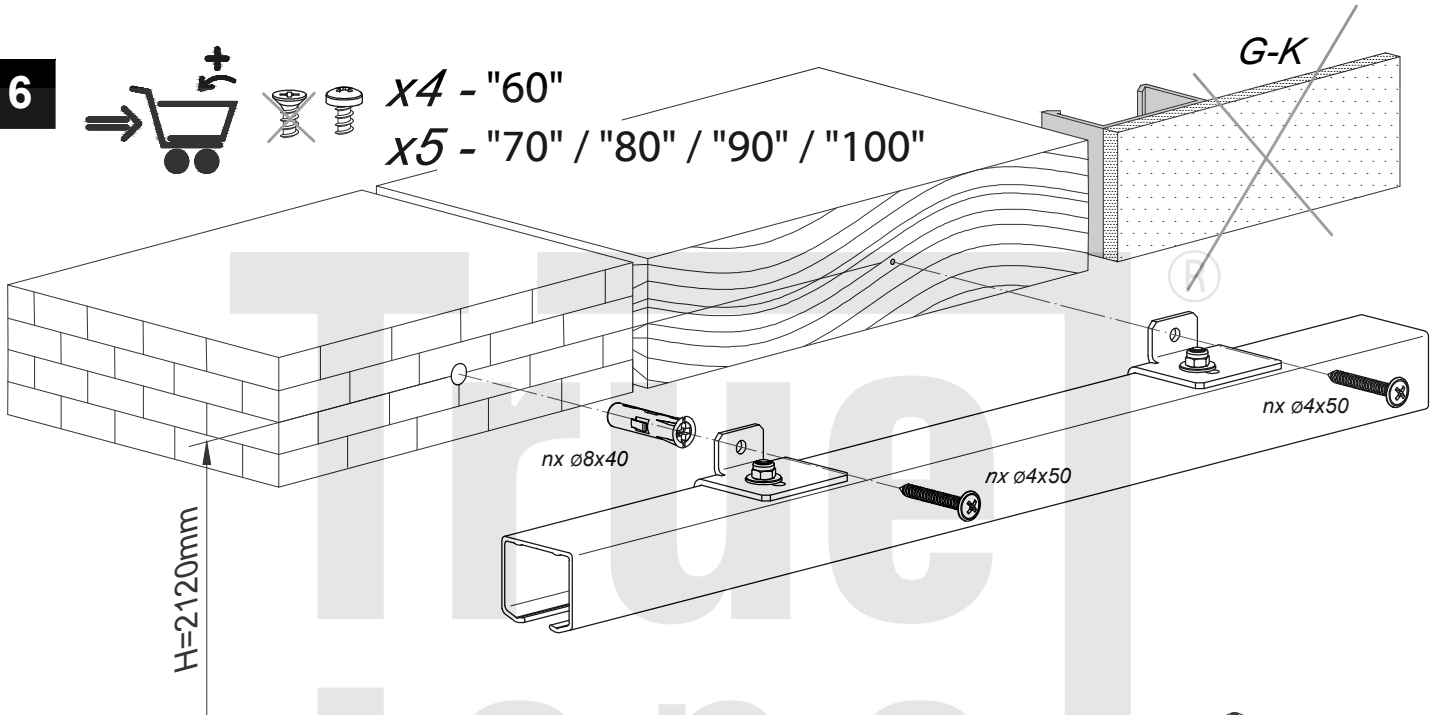


6

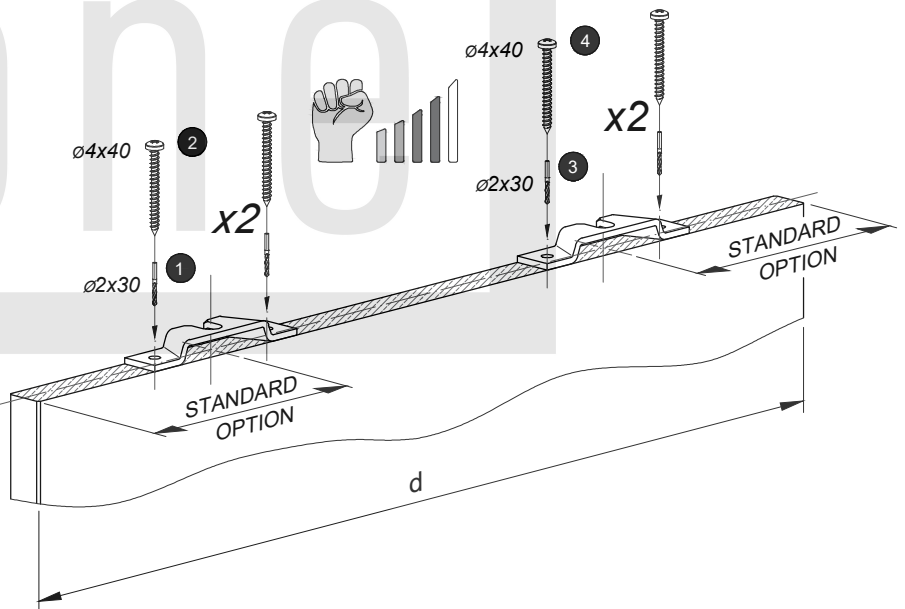
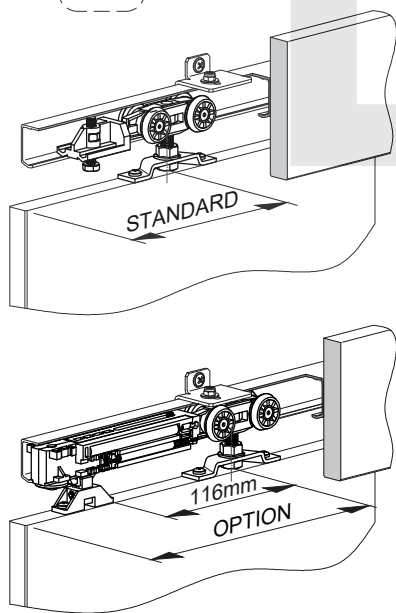
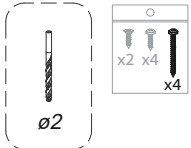


x4 - "60"

x5 - "70" / "80" / "90" / "100"



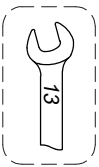
7



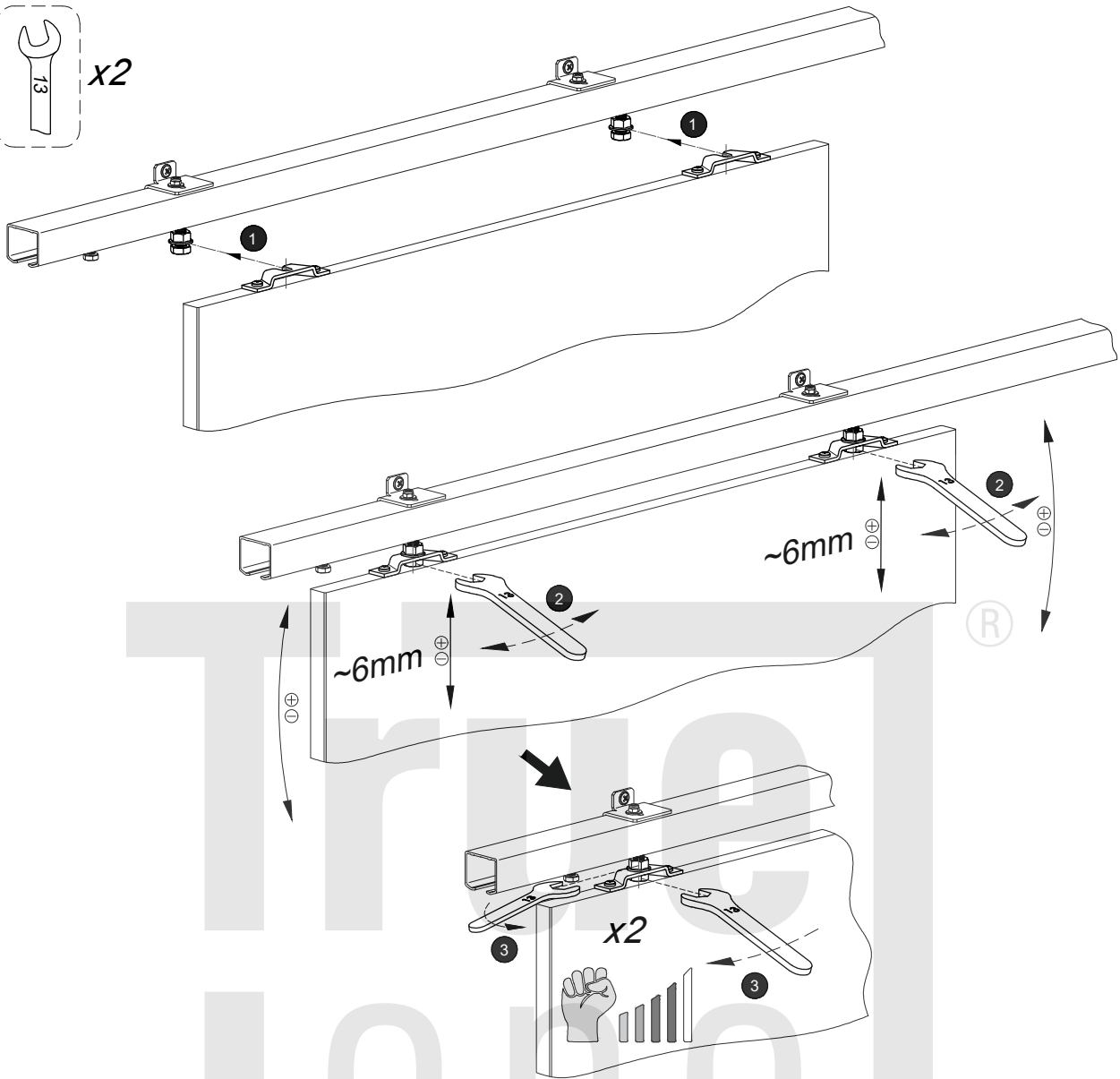
	d [mm]	660 "60"	760 "70"	860 "80"	960 "90"	1060 "100"
STANDARD [mm]			100			160
OPTION [mm]			180			210



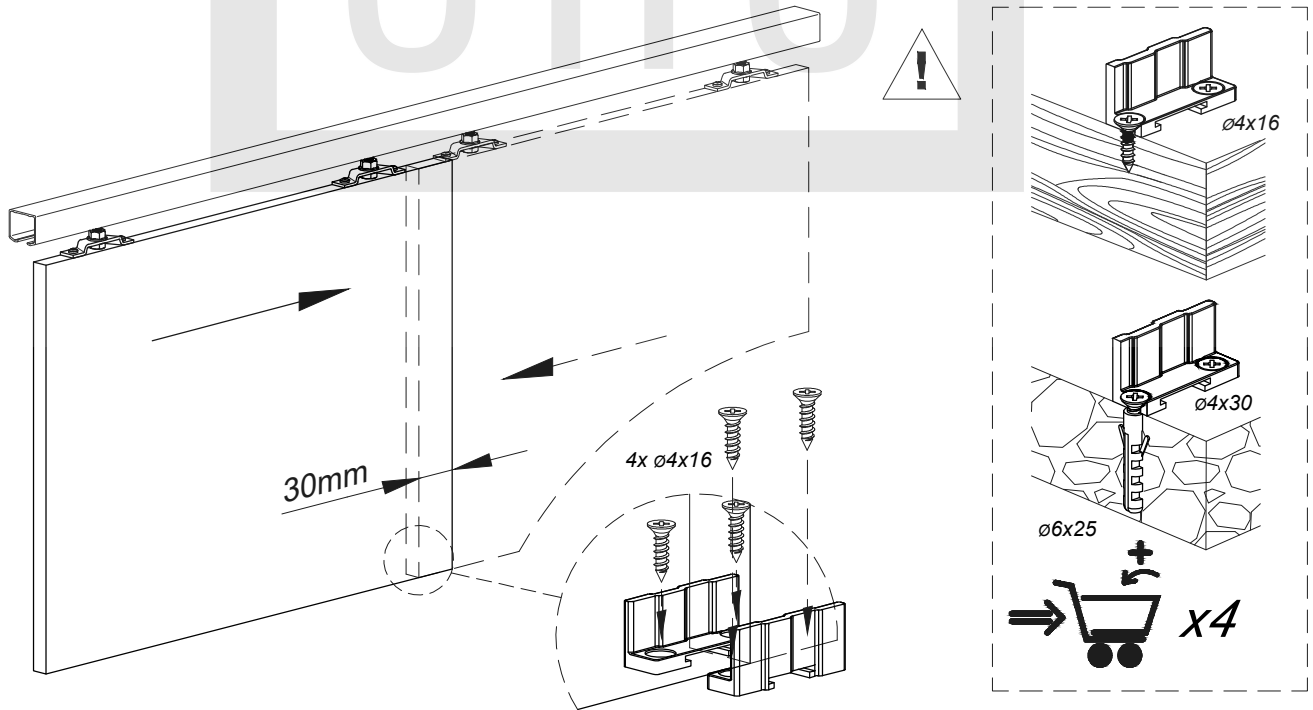
8



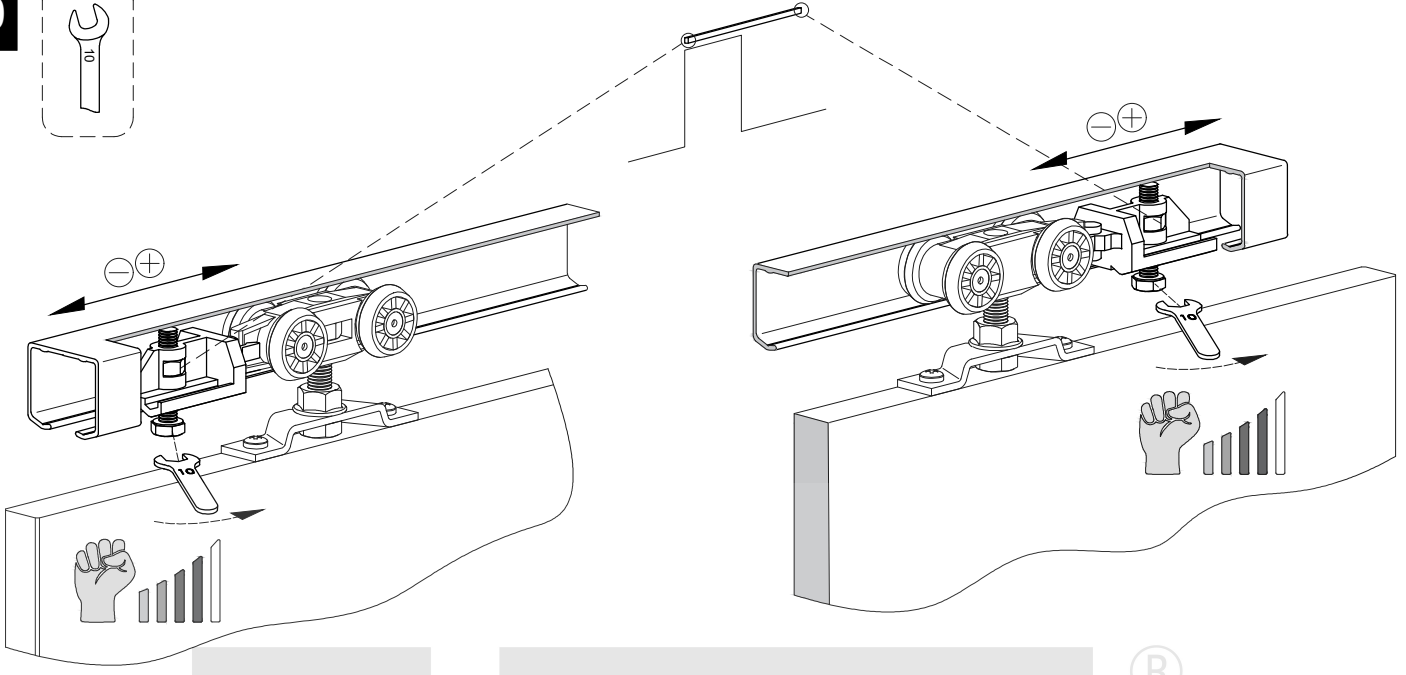
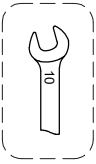
x2



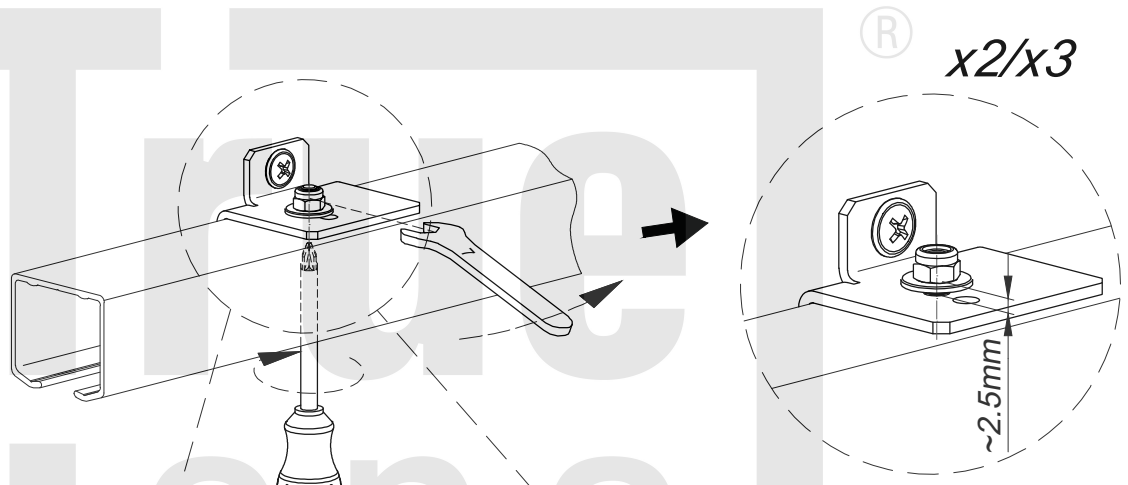
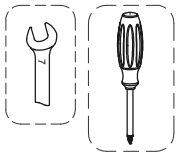
9



10

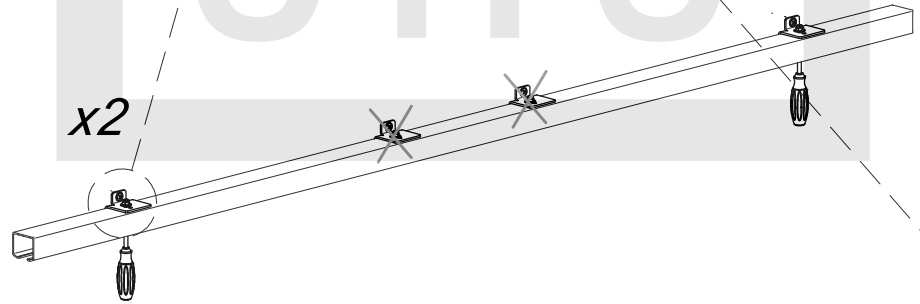


11



11a

"60"



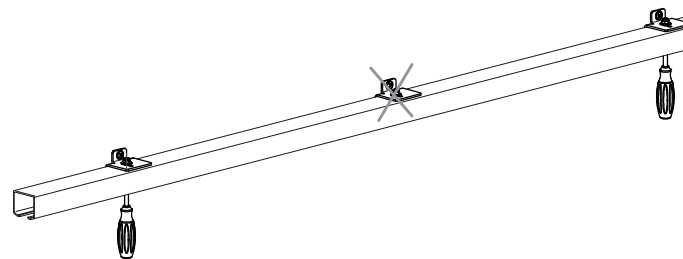
11b

"70" / "80" / "90"

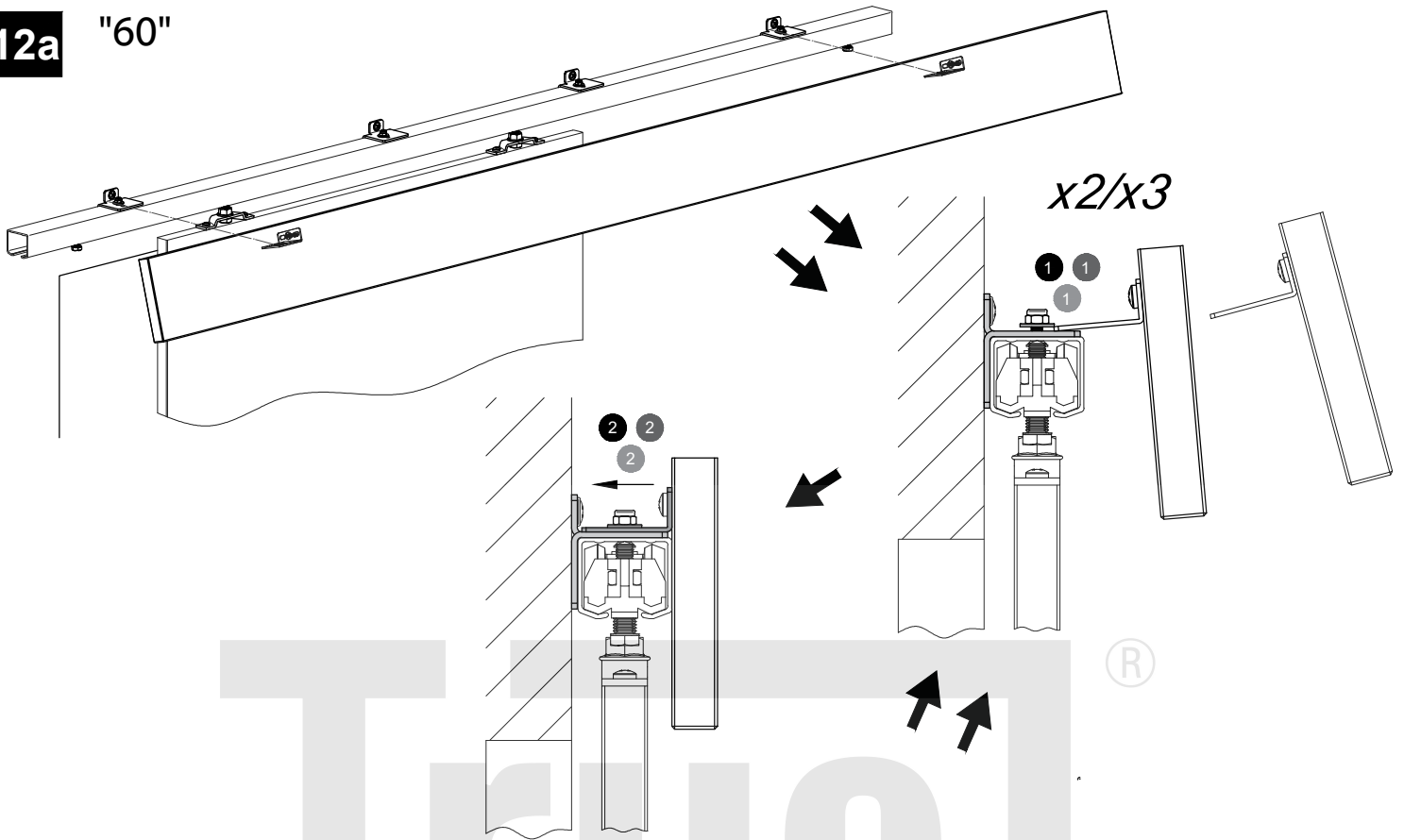


11c

"100"

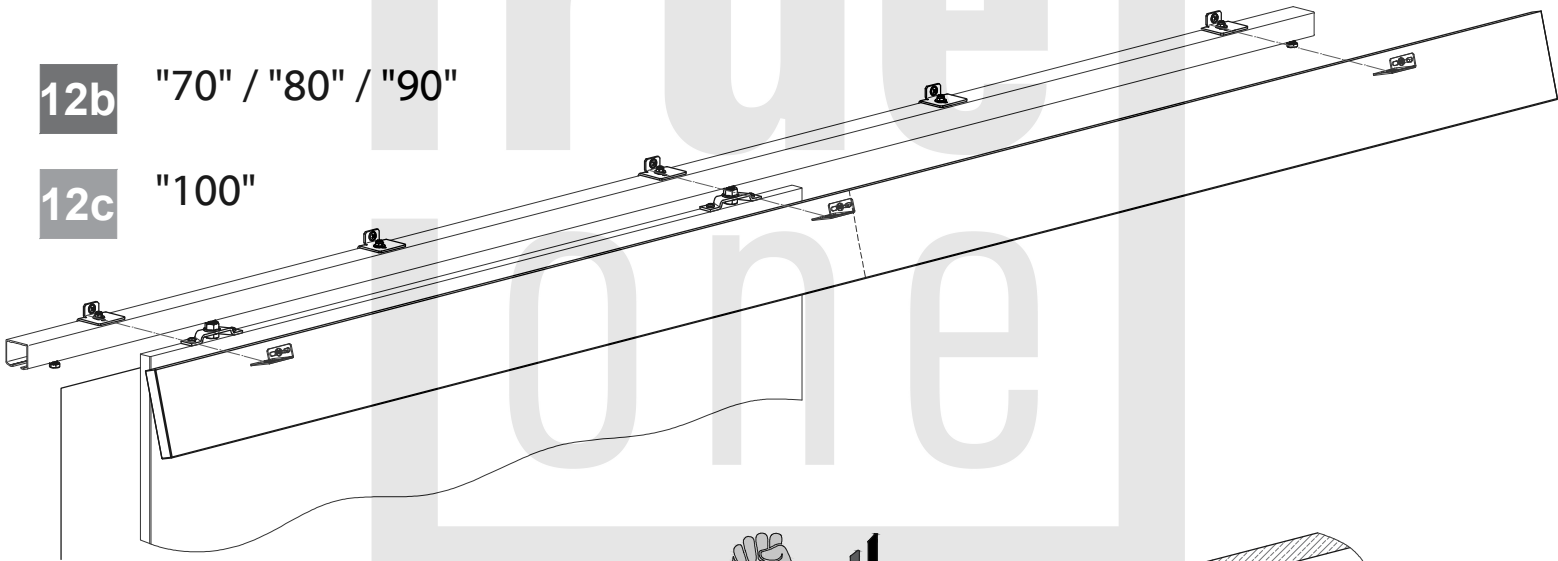


12a "60"

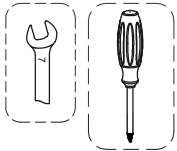


12b "70" / "80" / "90"

12c "100"



13



x4/x5

