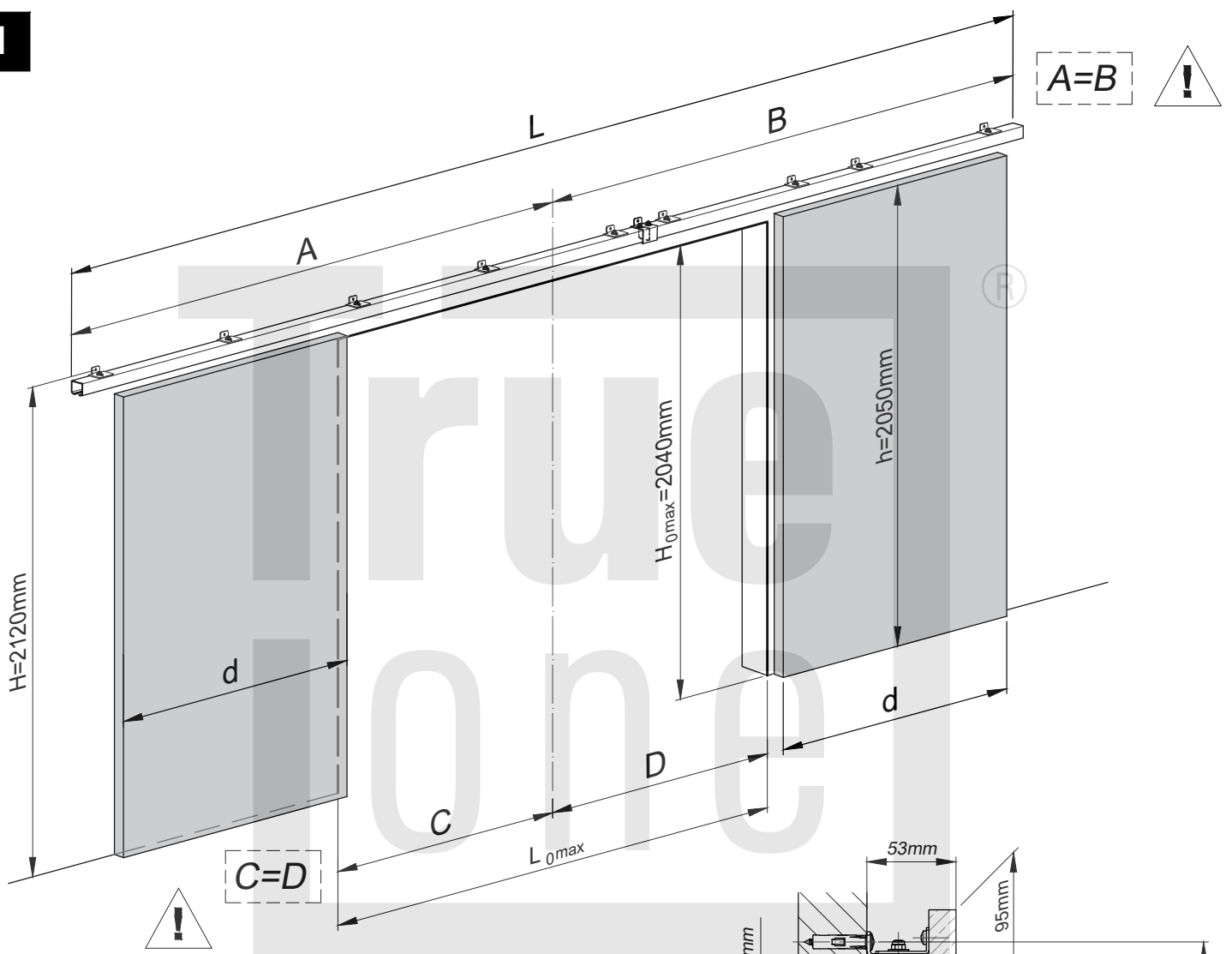
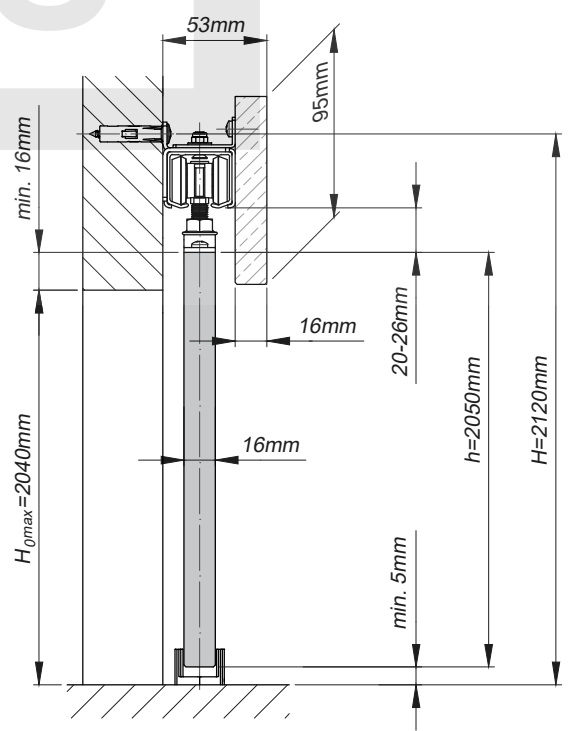
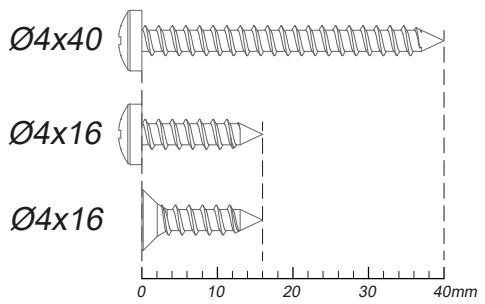


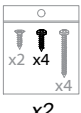
**1**



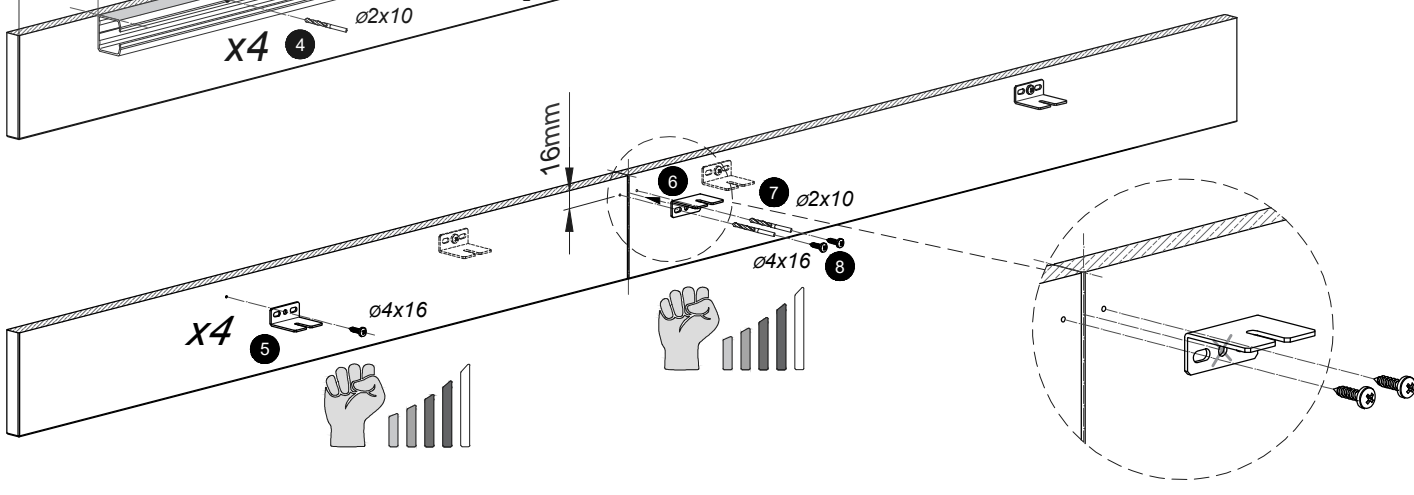
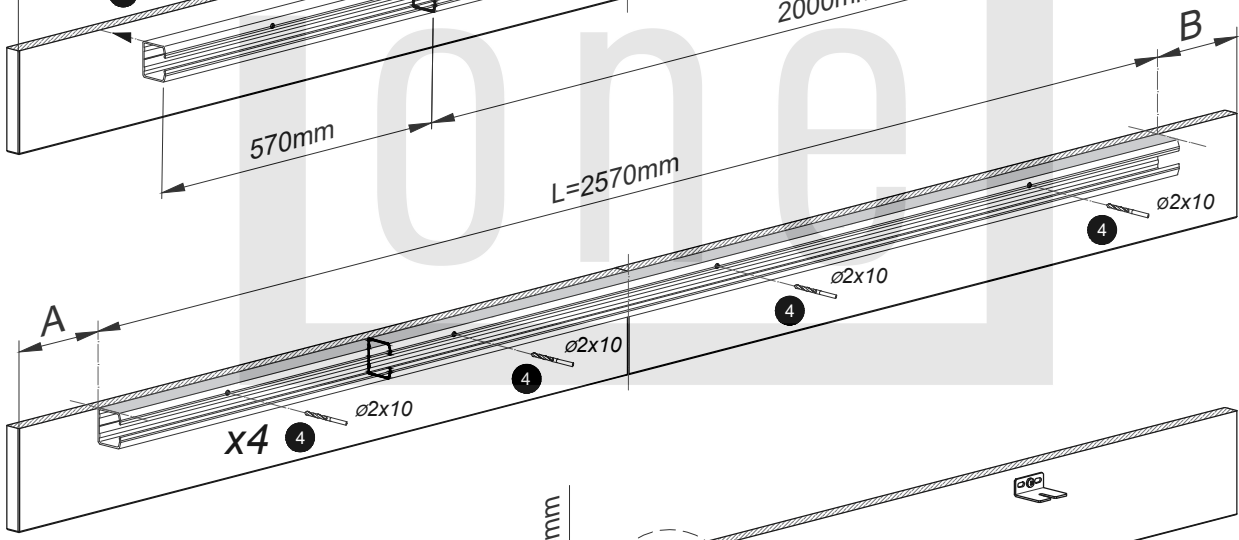
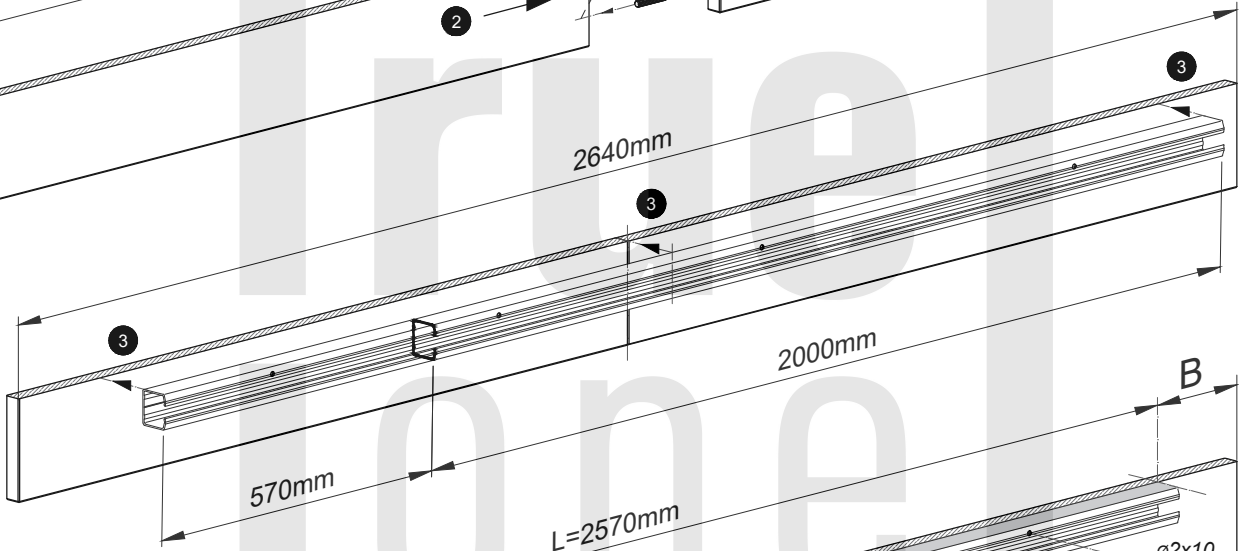
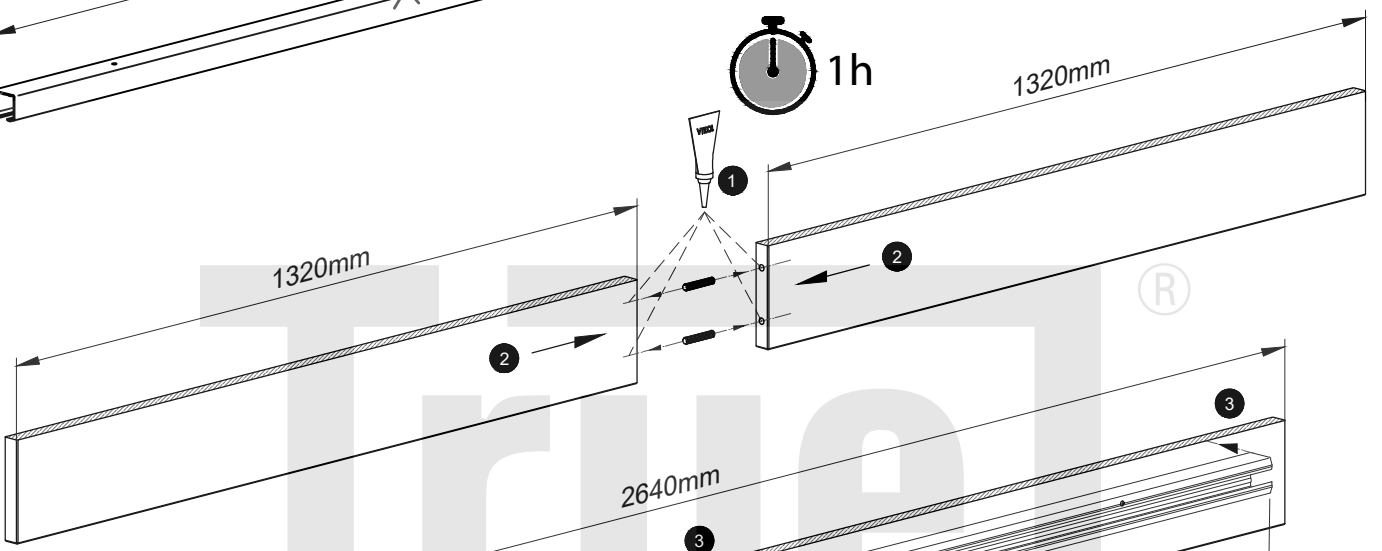
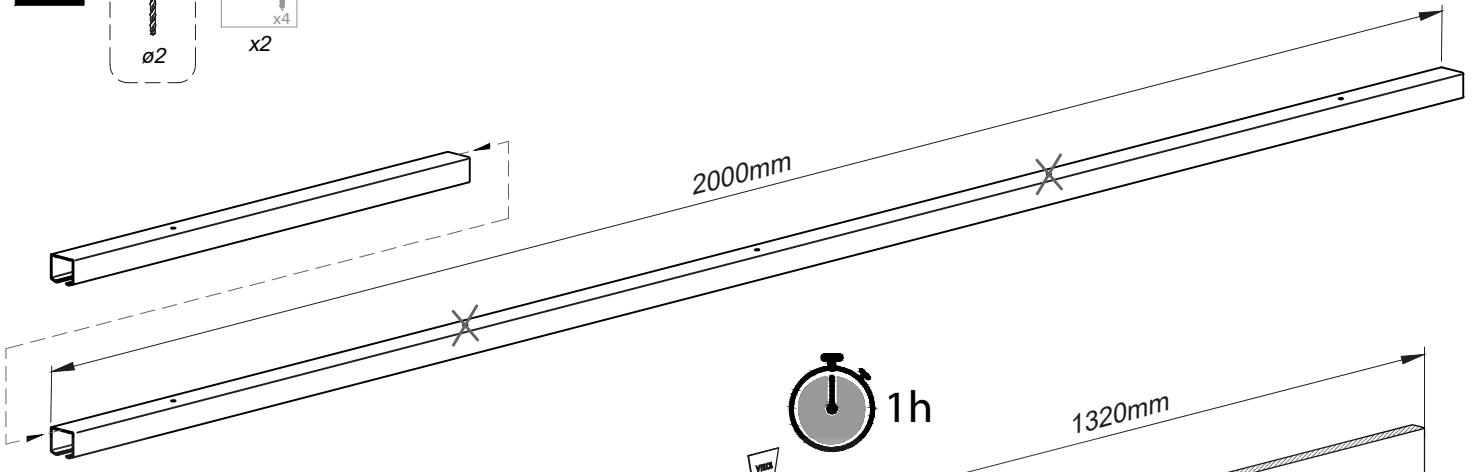
L [mm]	2570	2970	3370	4000	
d [mm] x2	660 "120"	760 "140"	860 "160"	960 "180"	1060 "200"
L <sub>0max</sub> [mm]	1260	1460	1660	1860	2060



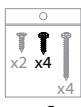
2a



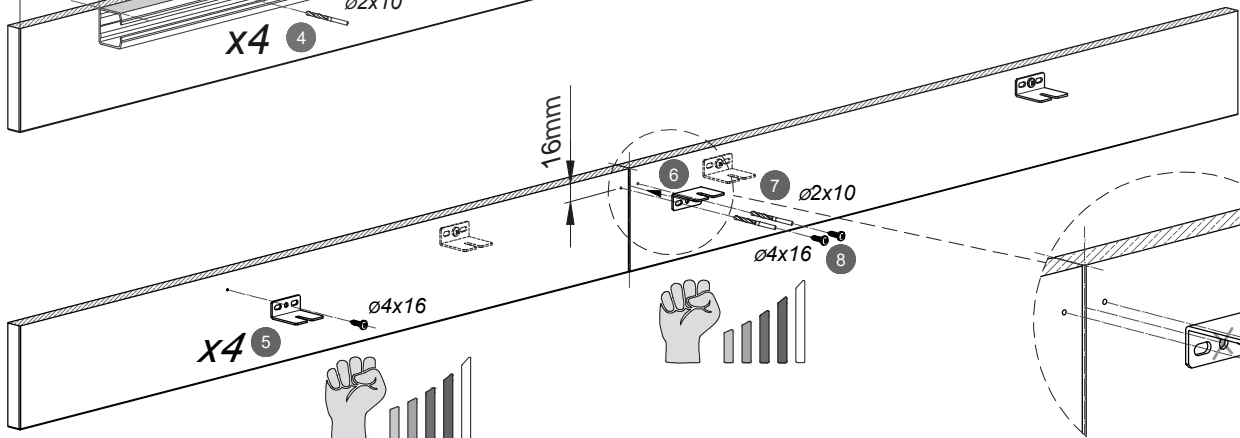
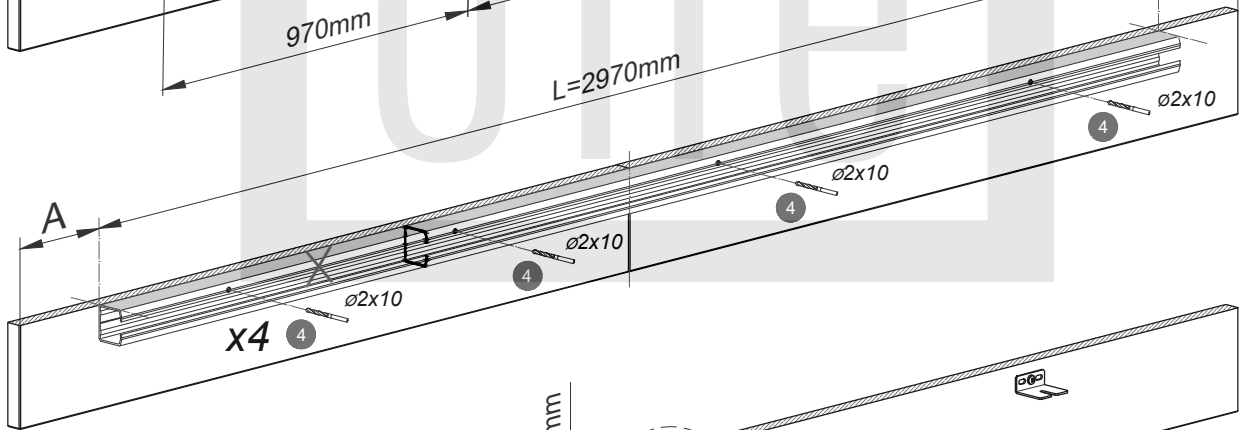
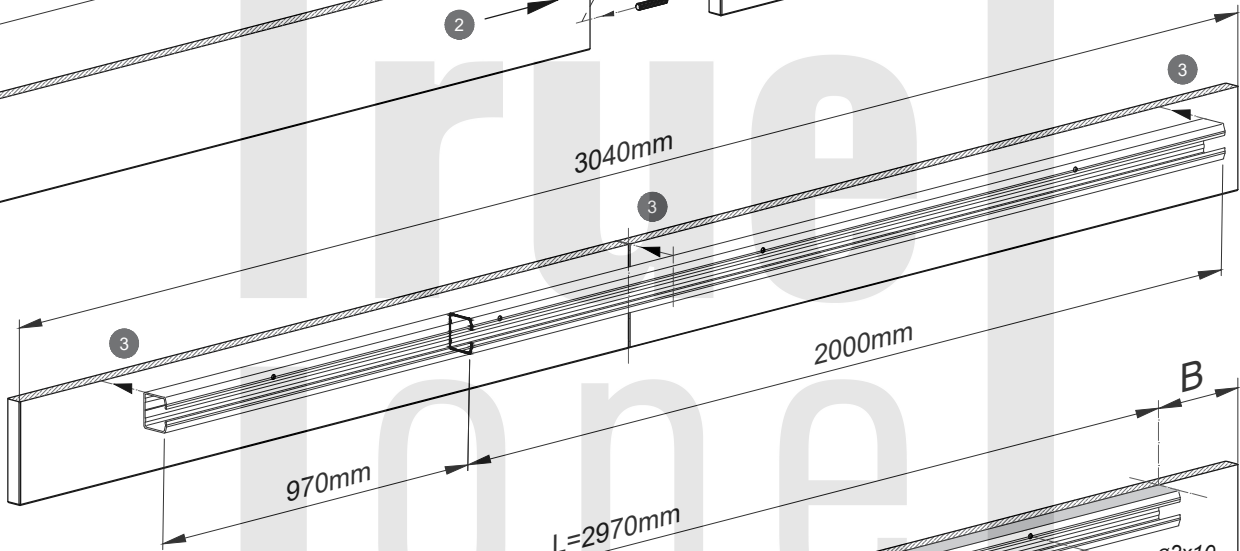
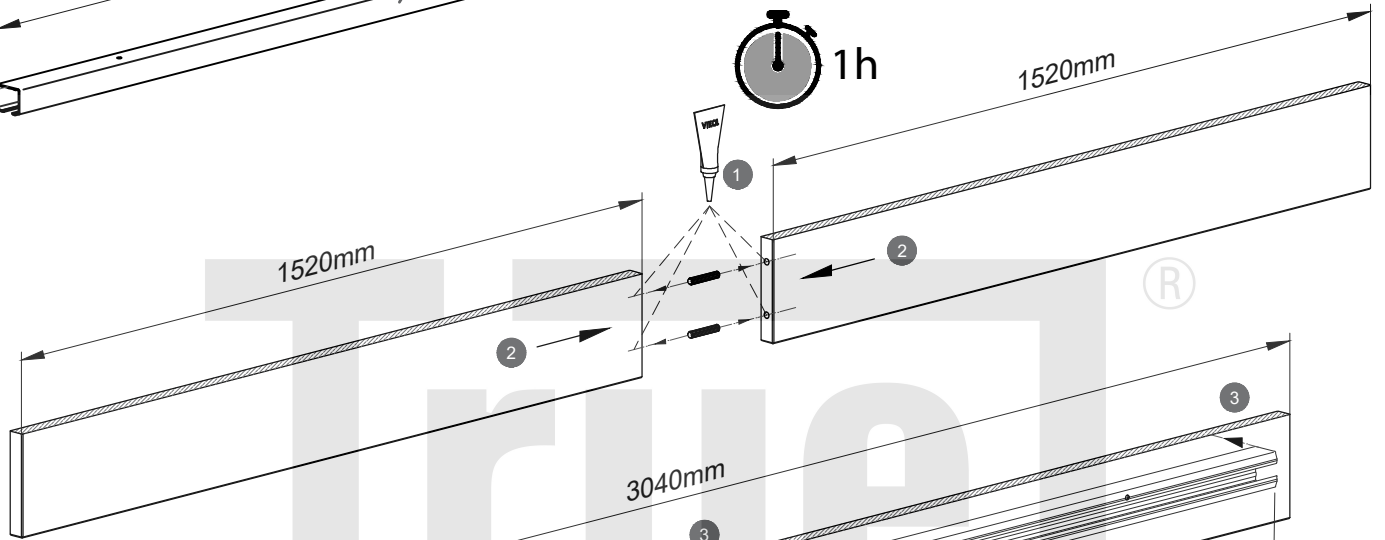
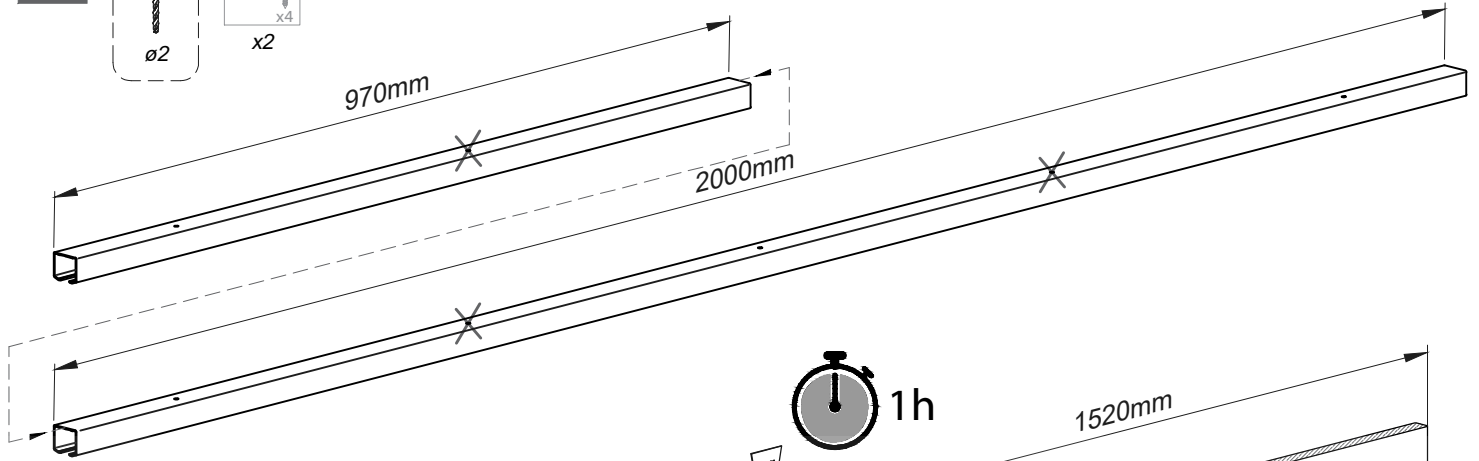
"120"



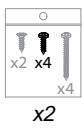
2b



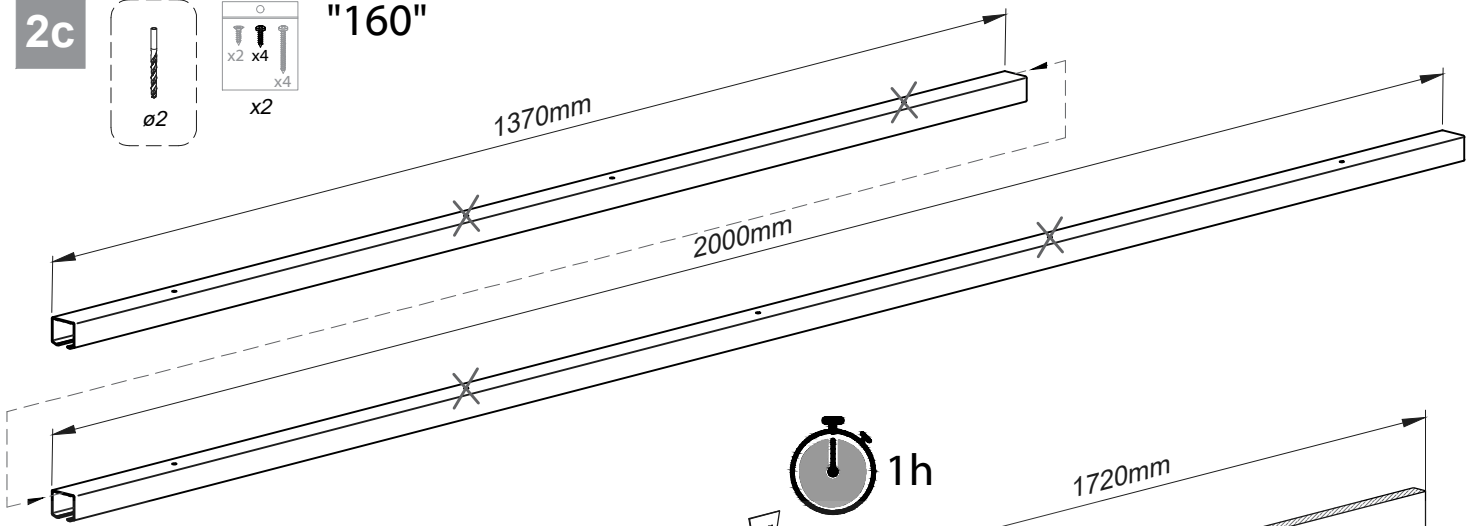
"140"



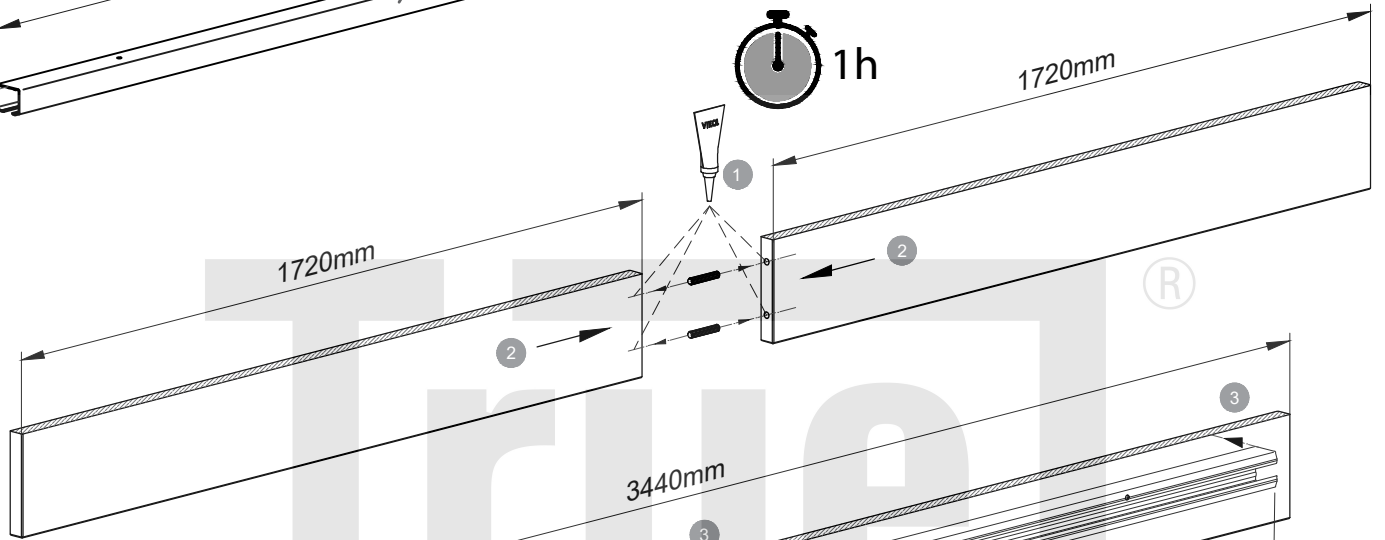
2c



"160"

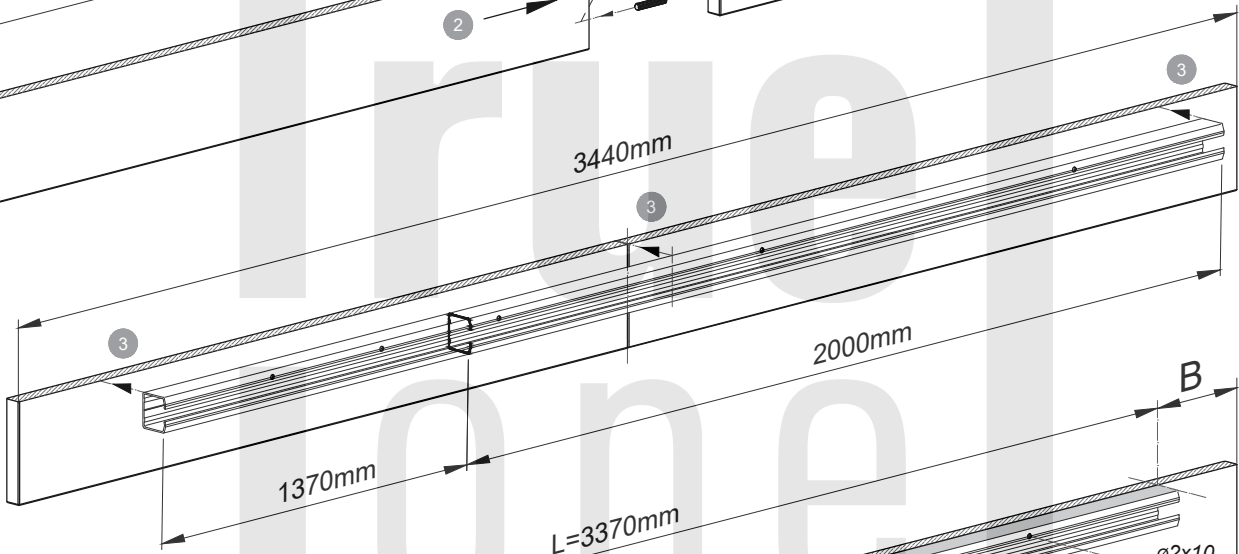


1720mm



1720mm

3440mm



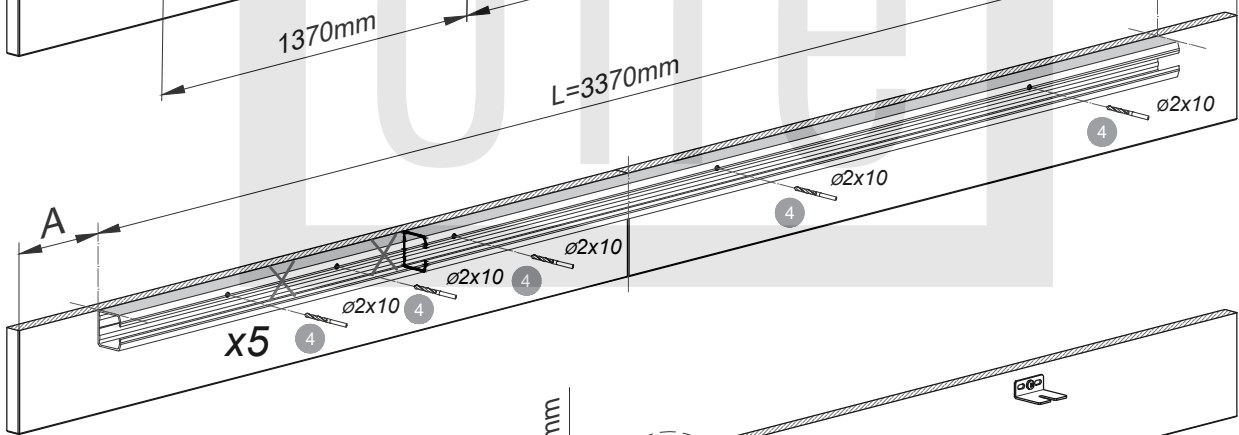
1370mm

L=3370mm

2000mm

B

A=B



x5

Ø2x10

Ø2x10

Ø2x10

Ø2x10

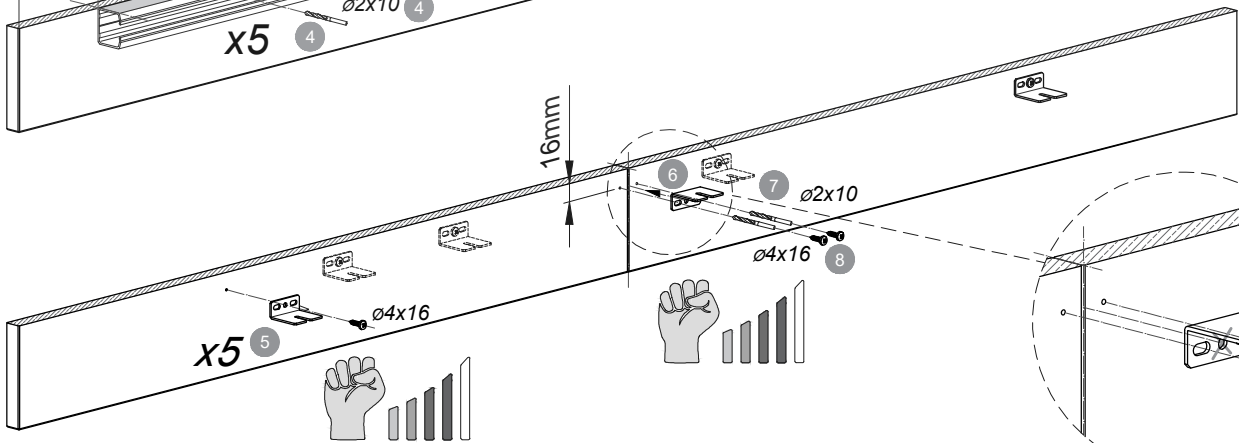
Ø2x10

Ø2x10

Ø2x10

Ø2x10

Ø2x10



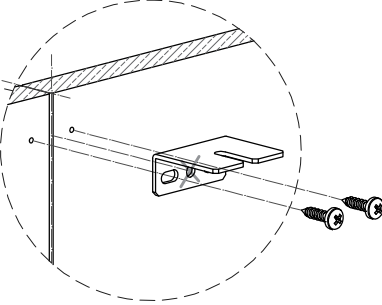
16mm

x5

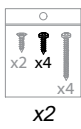
Ø4x16

Ø4x16

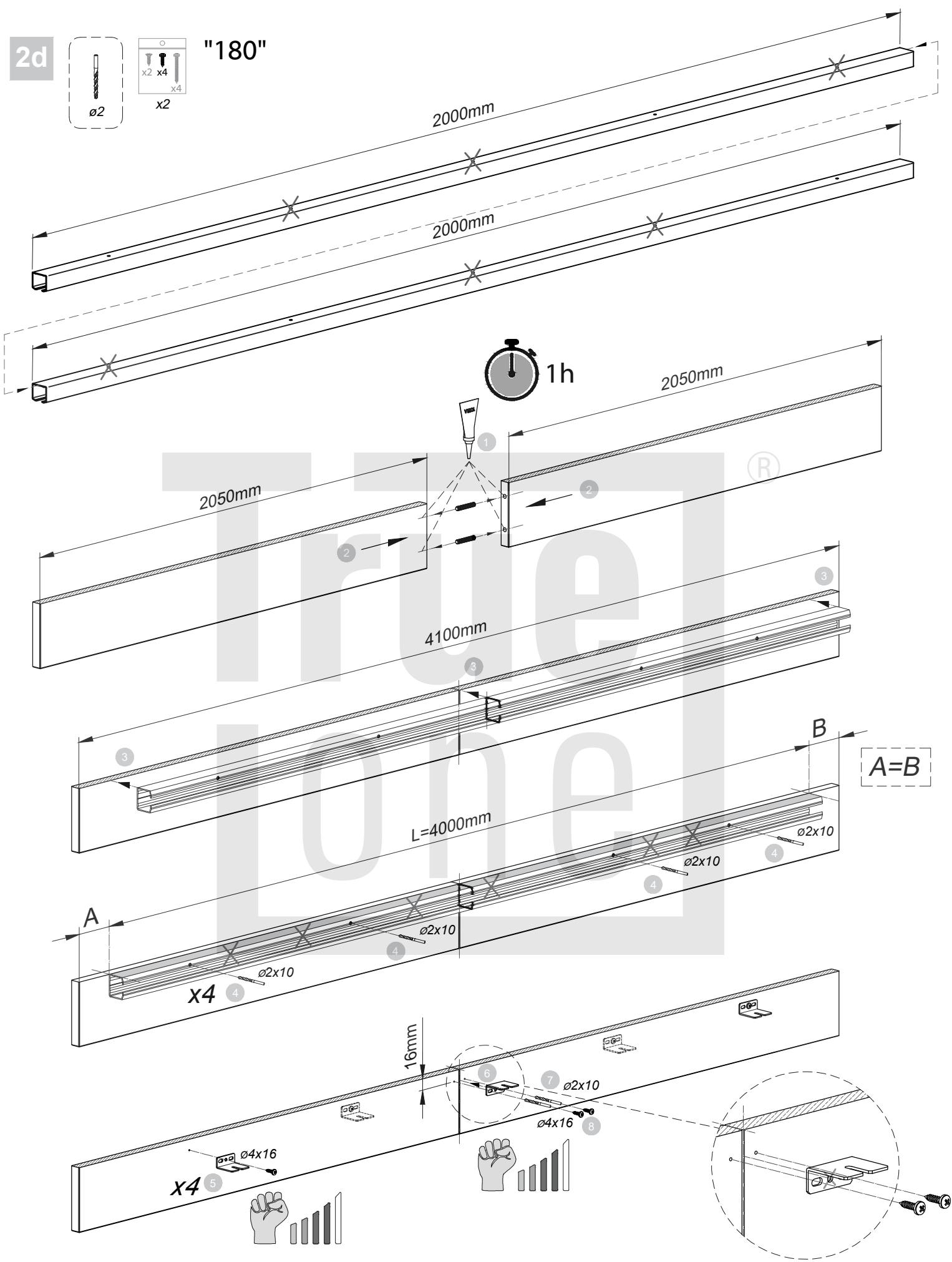
Ø2x10



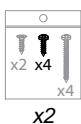
2d



"180"



2e



"200"

∅2

x2

x4

2000mm

2000mm



1h

1410mm

1410mm

1410mm

4230mm

A=B

B

L=4000mm

∅2x10

∅2x10

∅2x10

∅2x10

x4

16mm

∅2x10

∅4x16

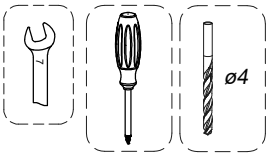
∅2x10

∅4x16

x4



3a

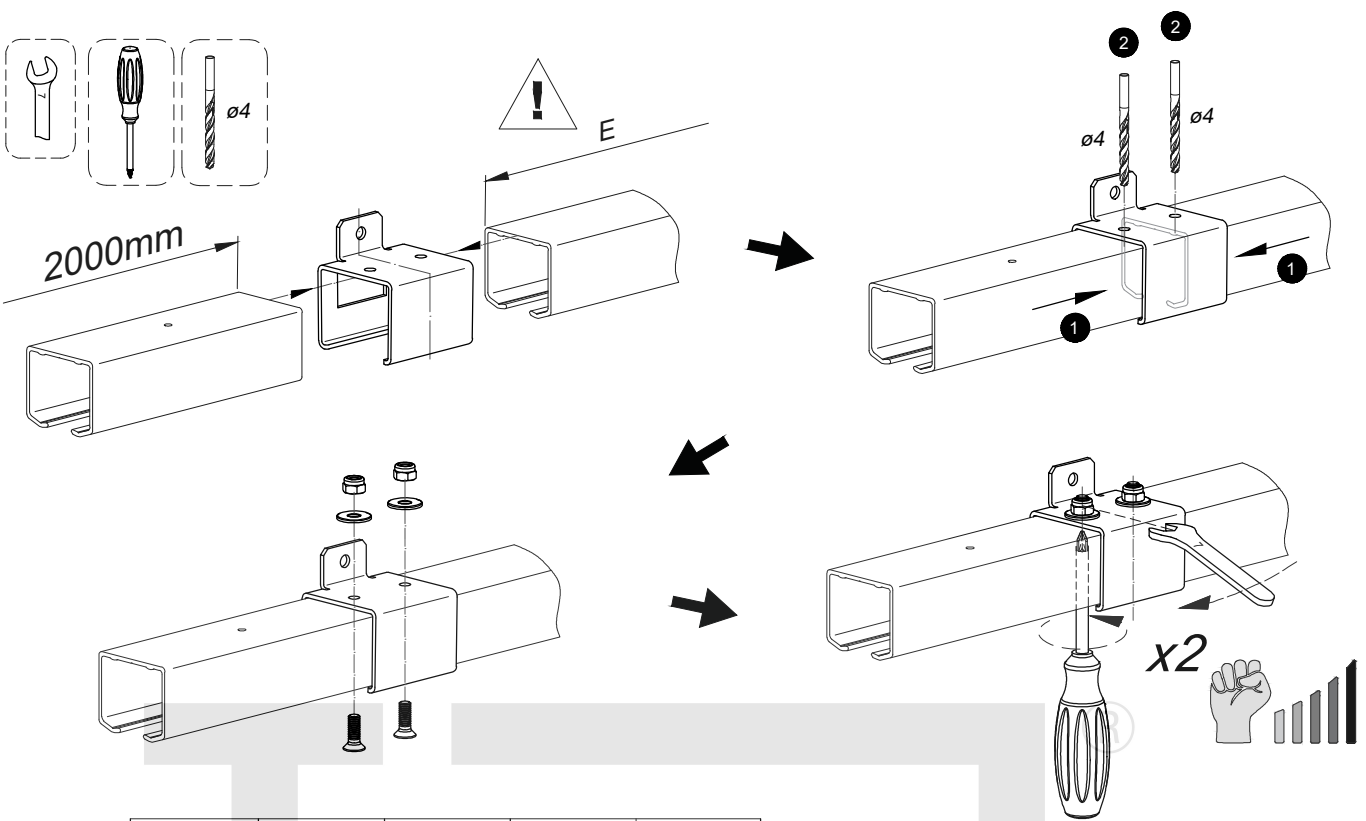


3b

3c

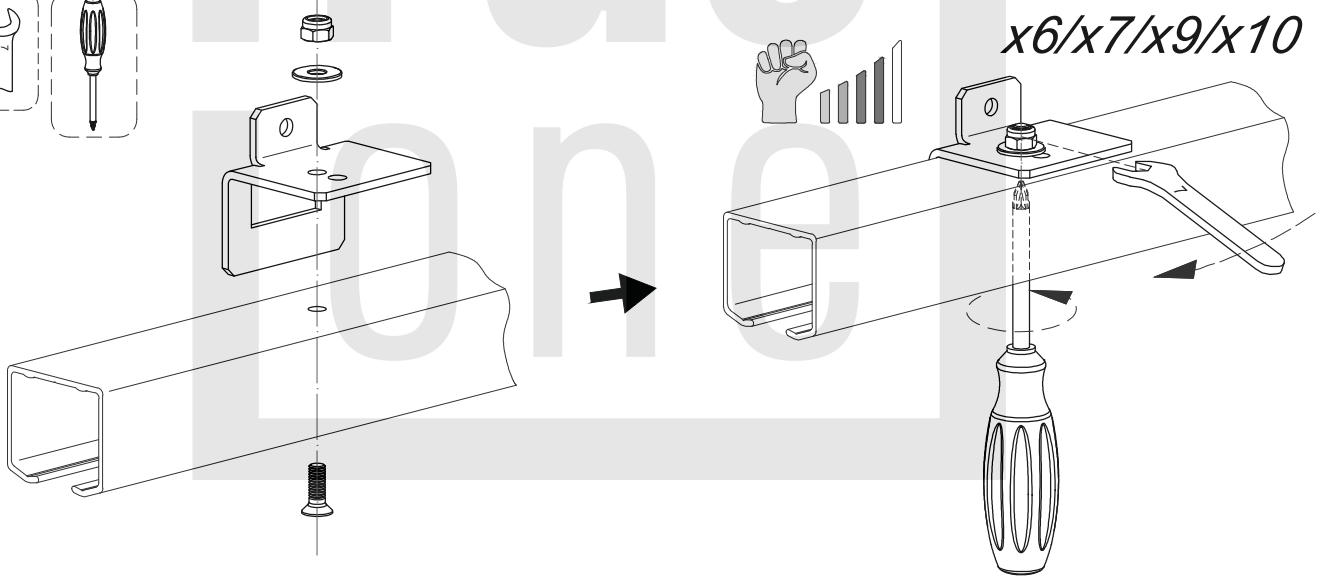
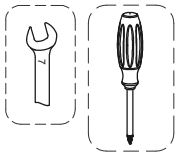
3d

3e

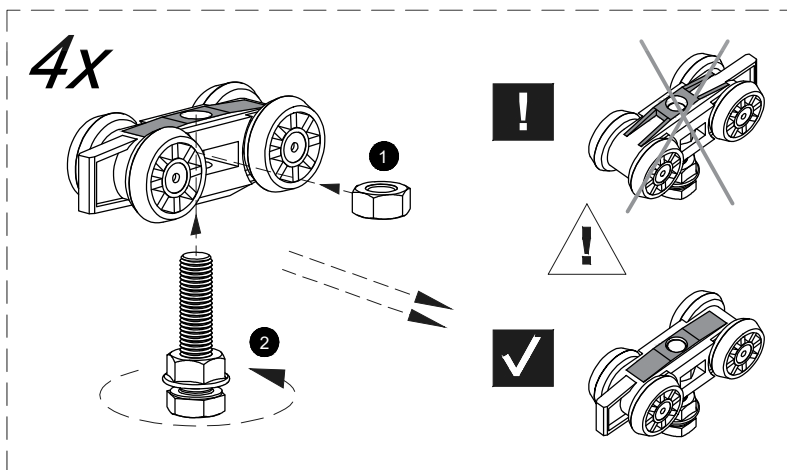


	"120"	"140"	"160"	"180"	"200"
E [mm]	570	970	1370	2000	

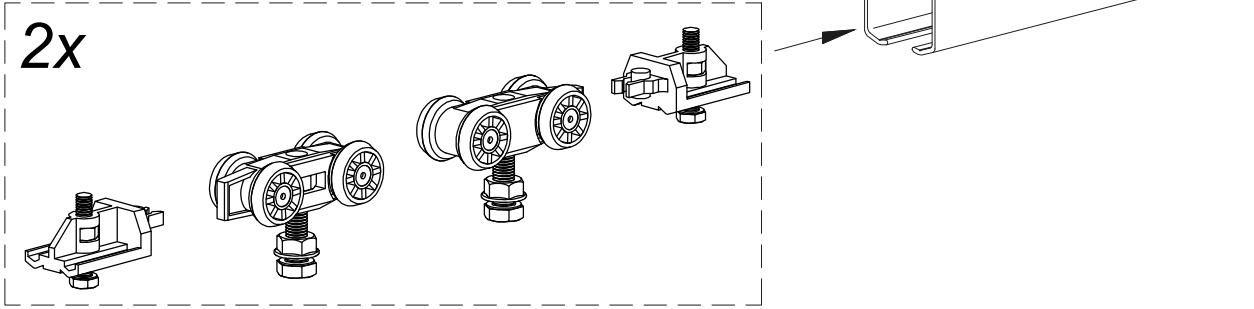
4



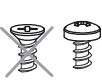
5



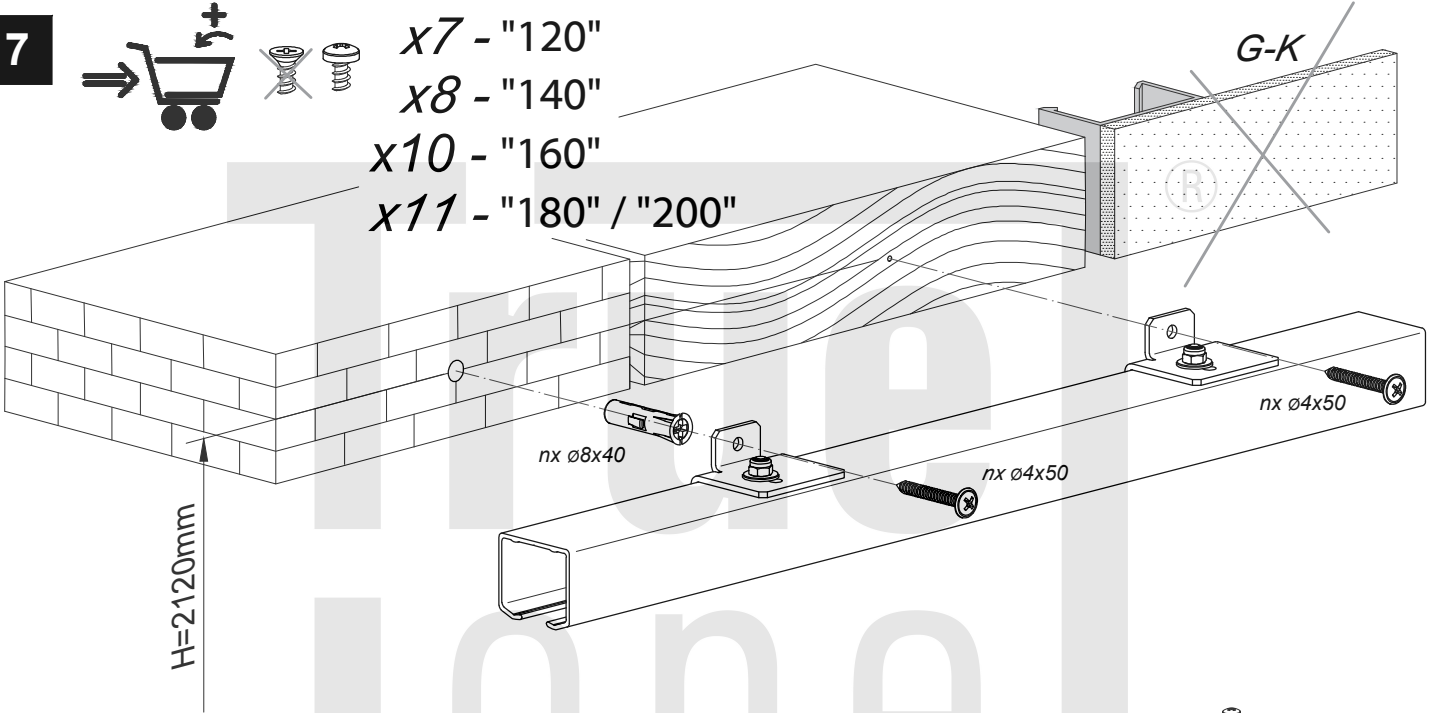
6



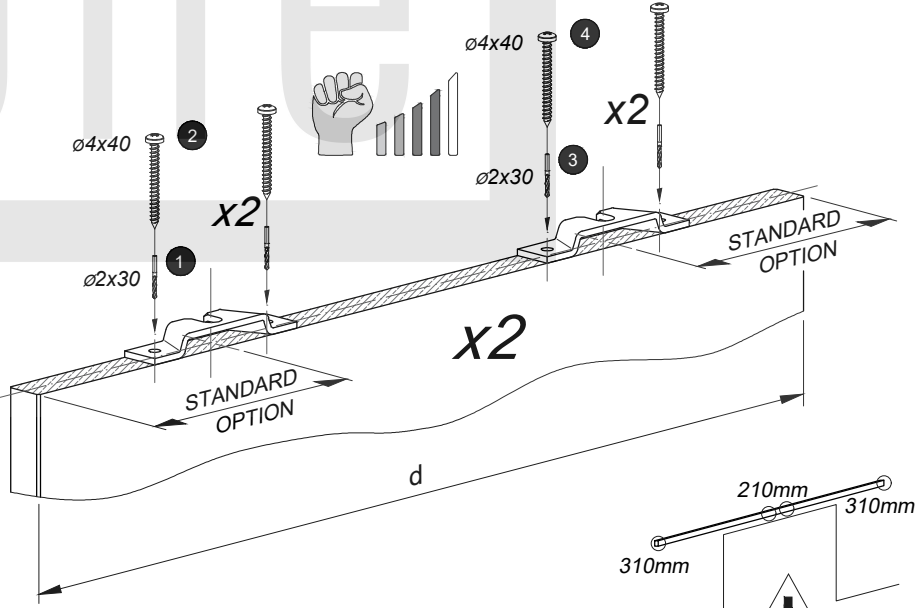
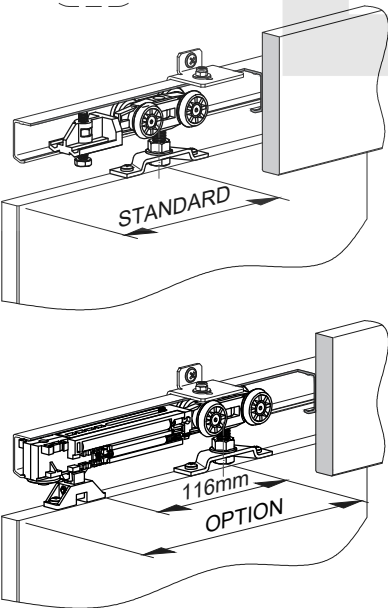
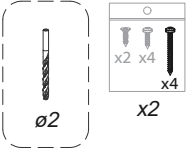
7



- x7 - "120"
- x8 - "140"
- x10 - "160"
- x11 - "180" / "200"



8

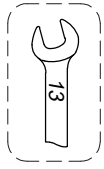


	d [mm]	660 "120"	760 "140"	860 "160"	960 "180"	1060 "200"
STANDARD [mm]			100			160
OPTION [mm]			180			210/310

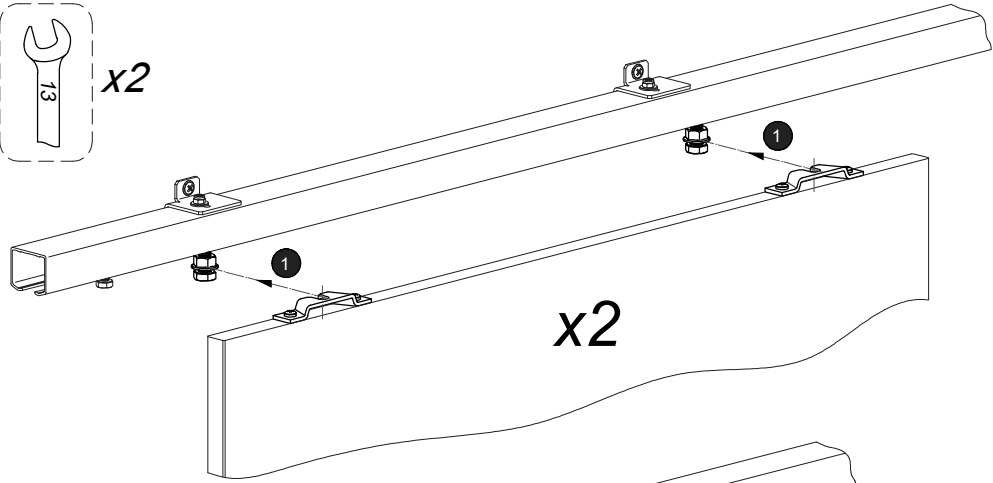




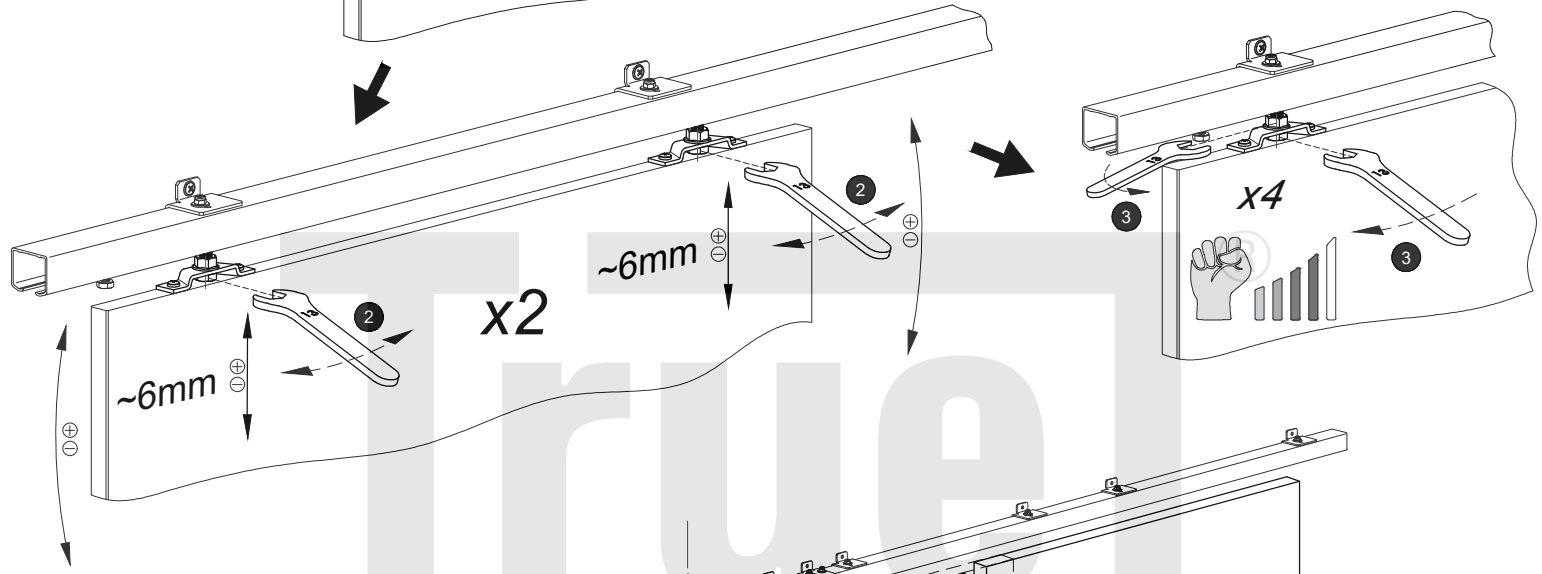
9



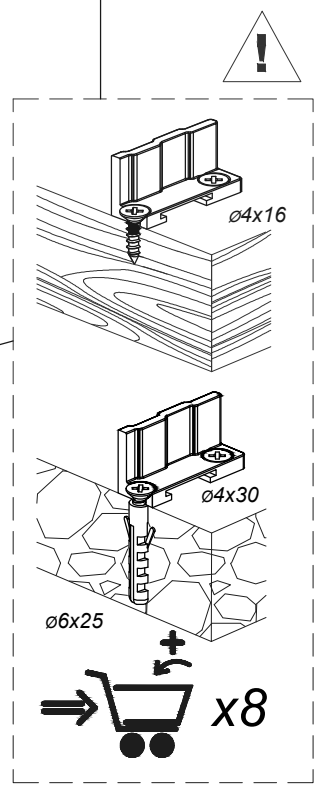
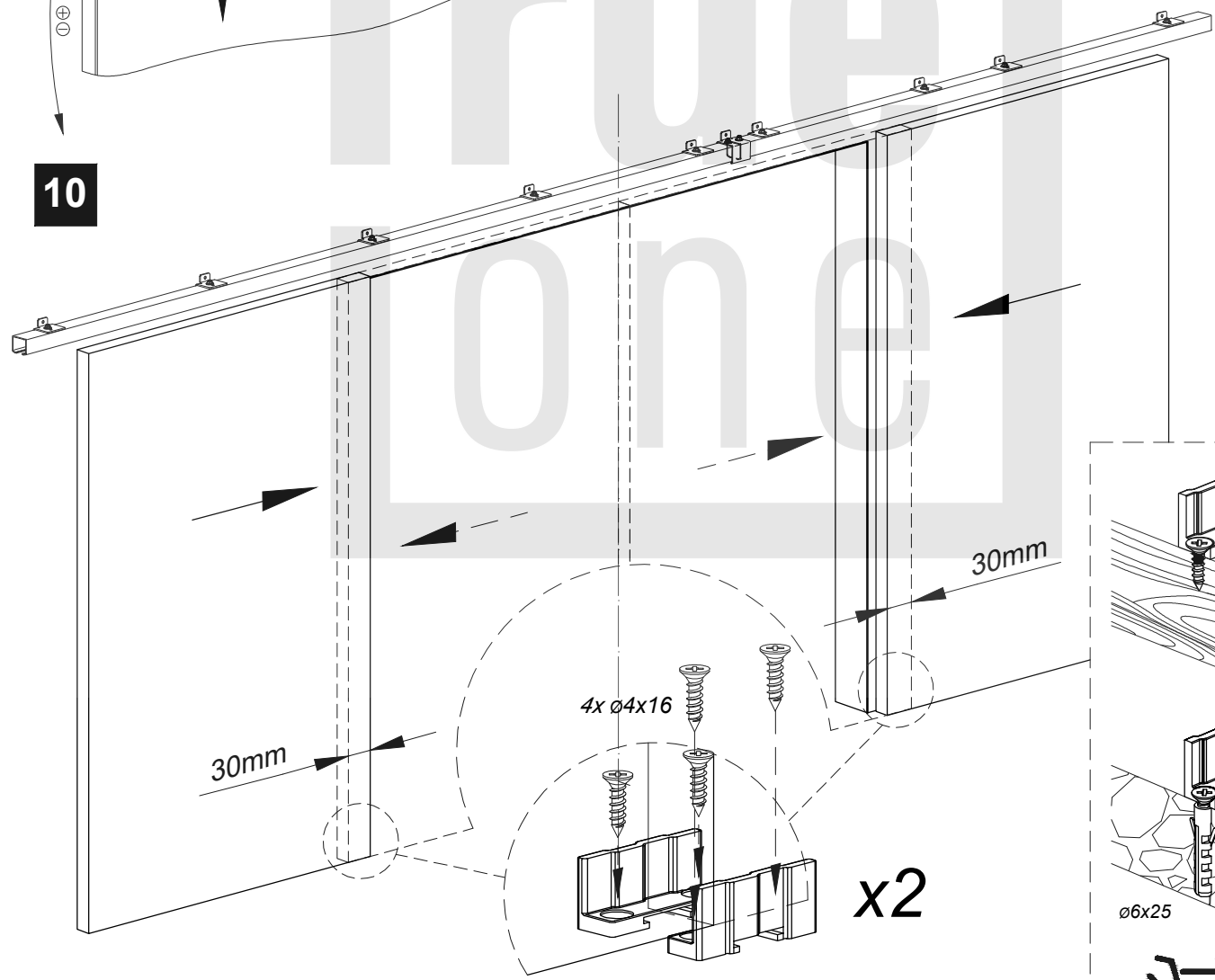
x2

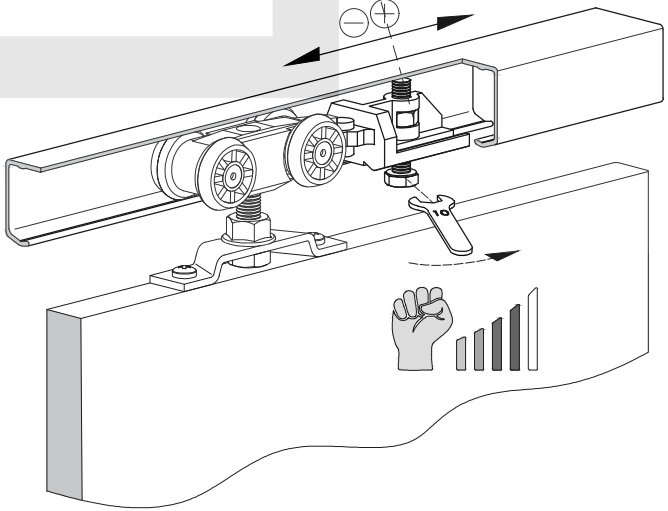
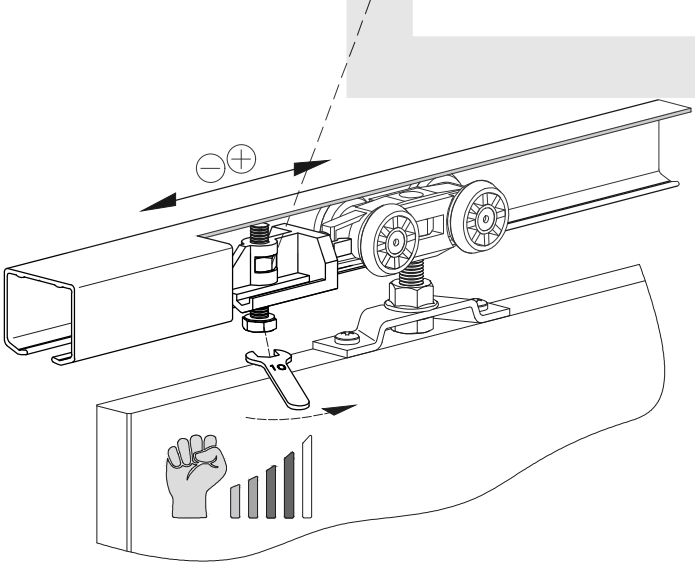
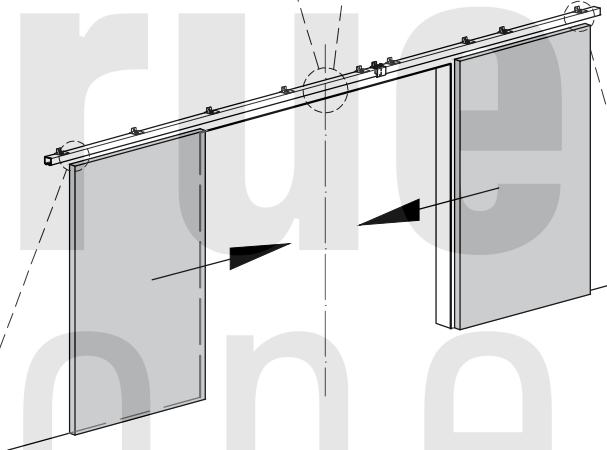
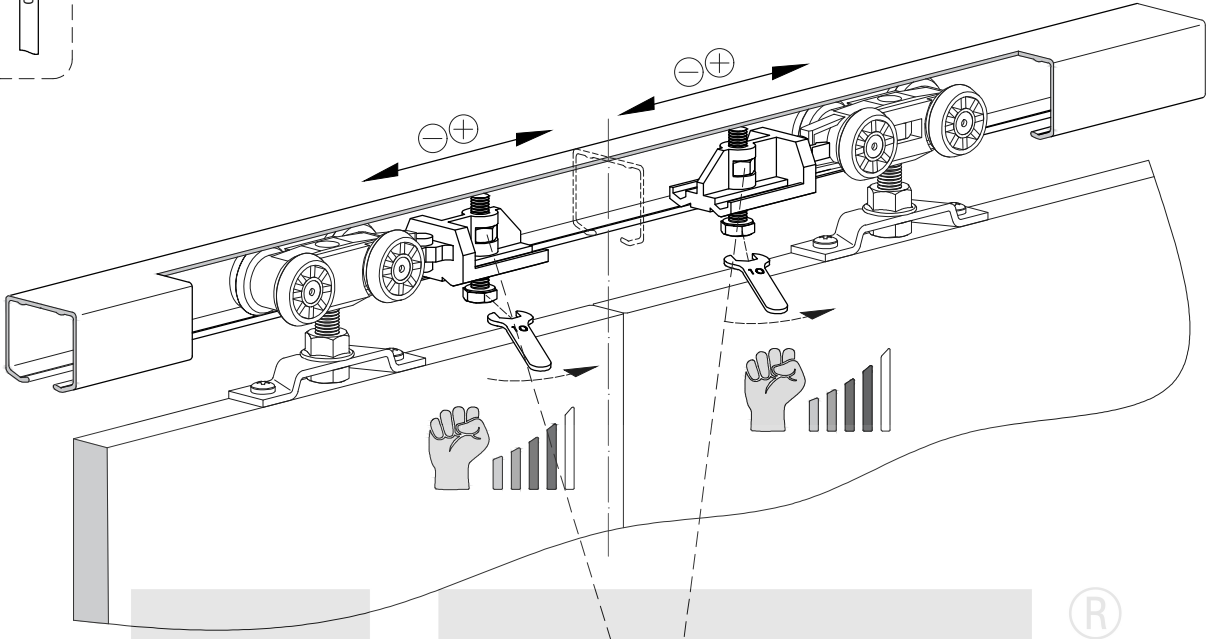
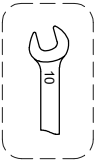


x2

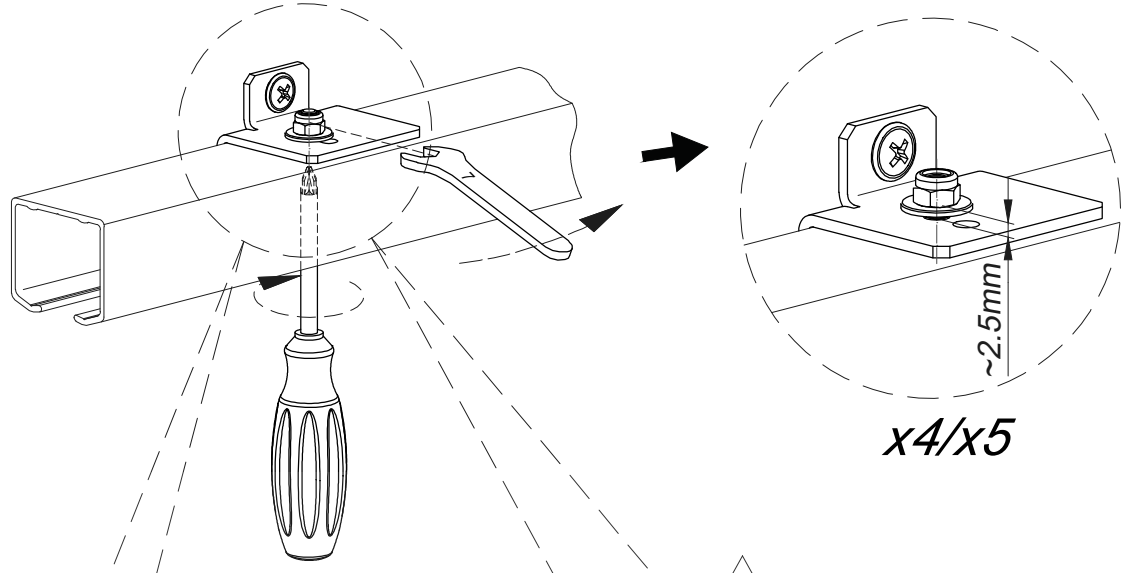
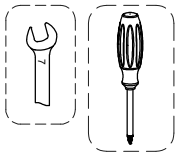


10



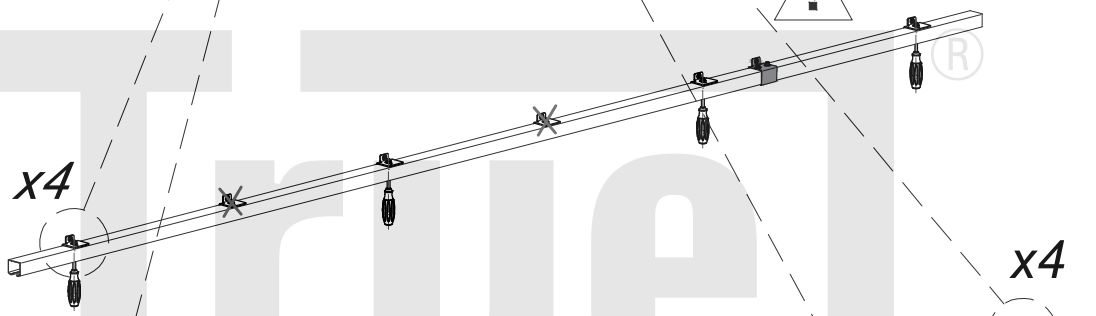


12



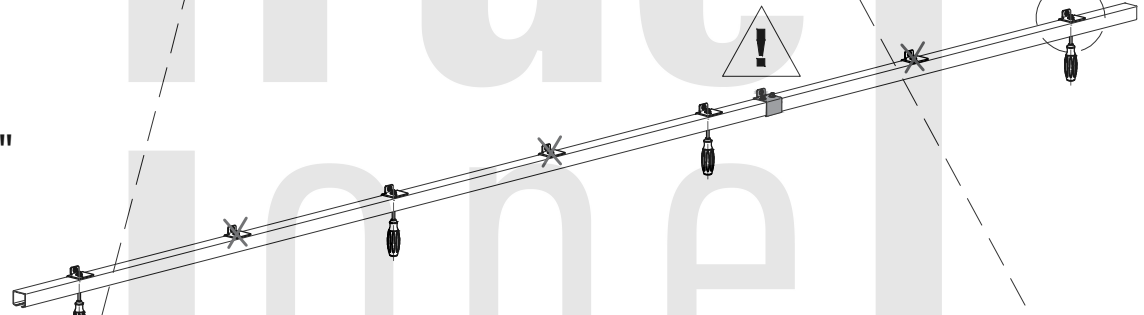
12a

"120"



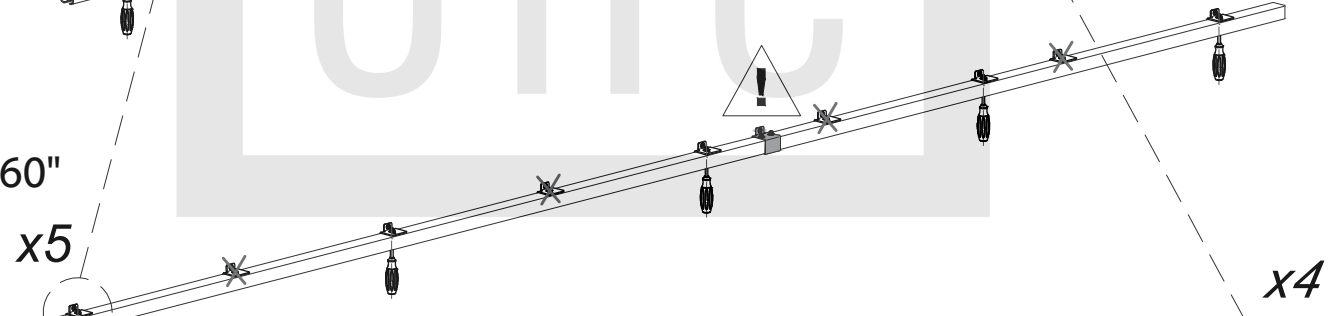
12b

"140"



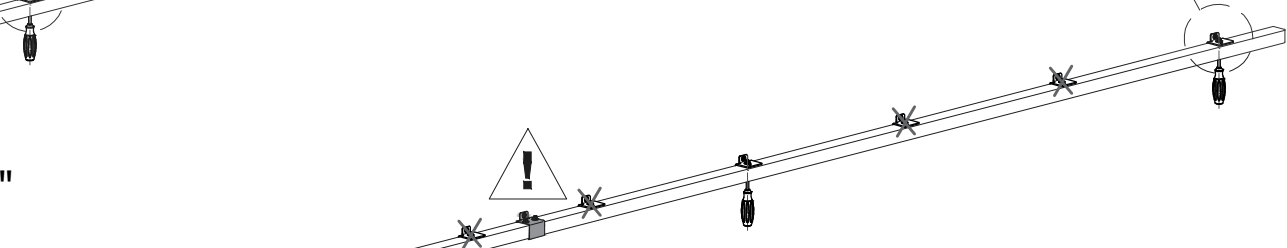
12c

"160"



12d

"180"



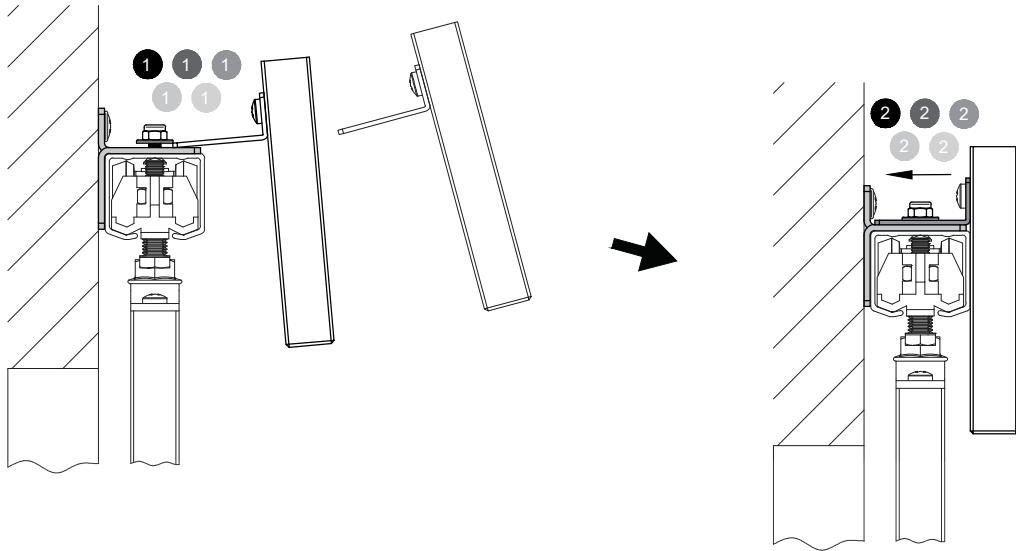
12e

"200"



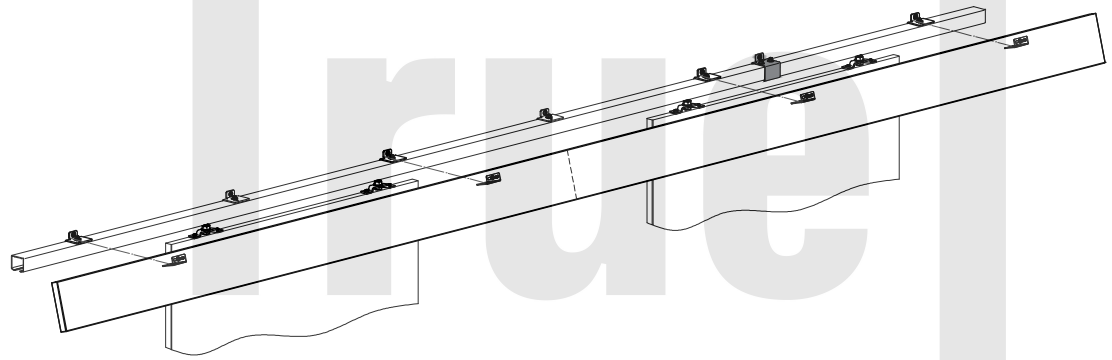
13

x4/x5



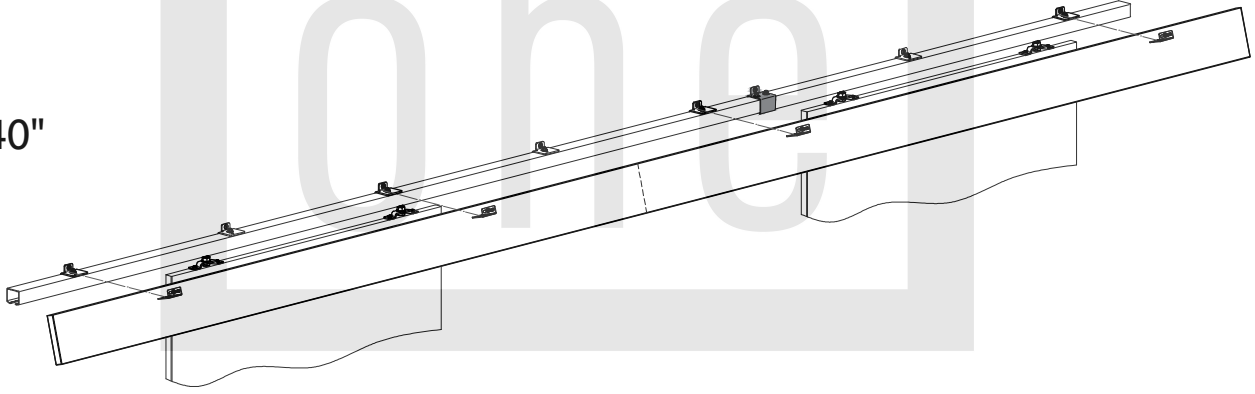
13a

"120"



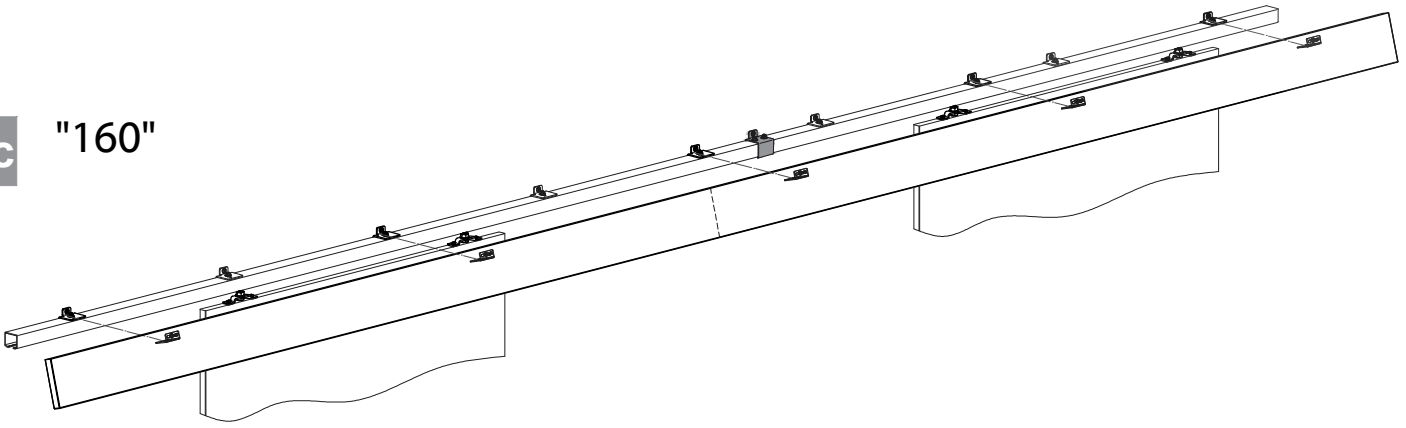
13b

"140"

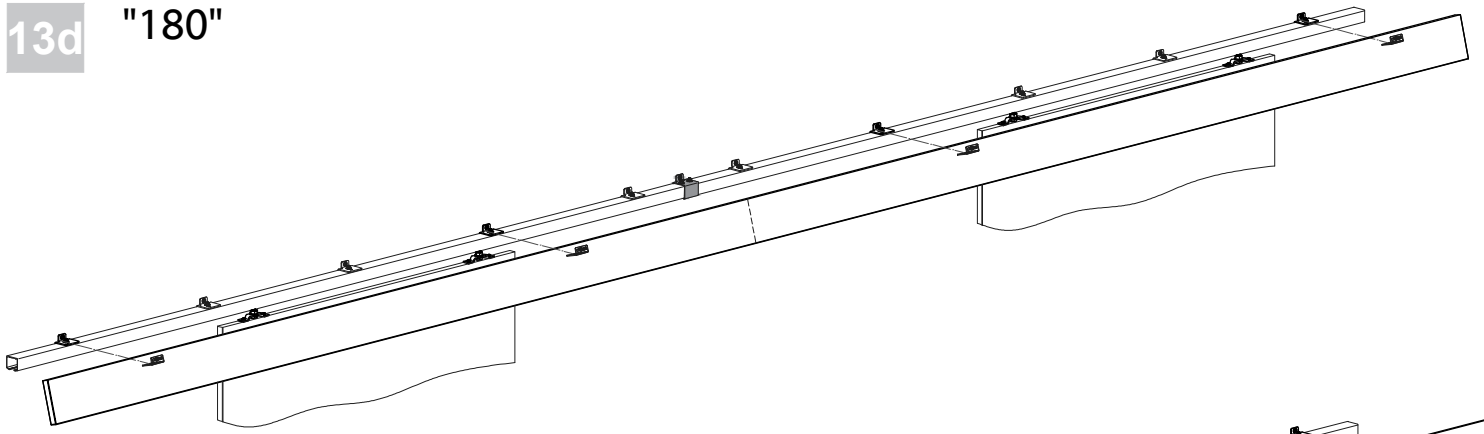


13c

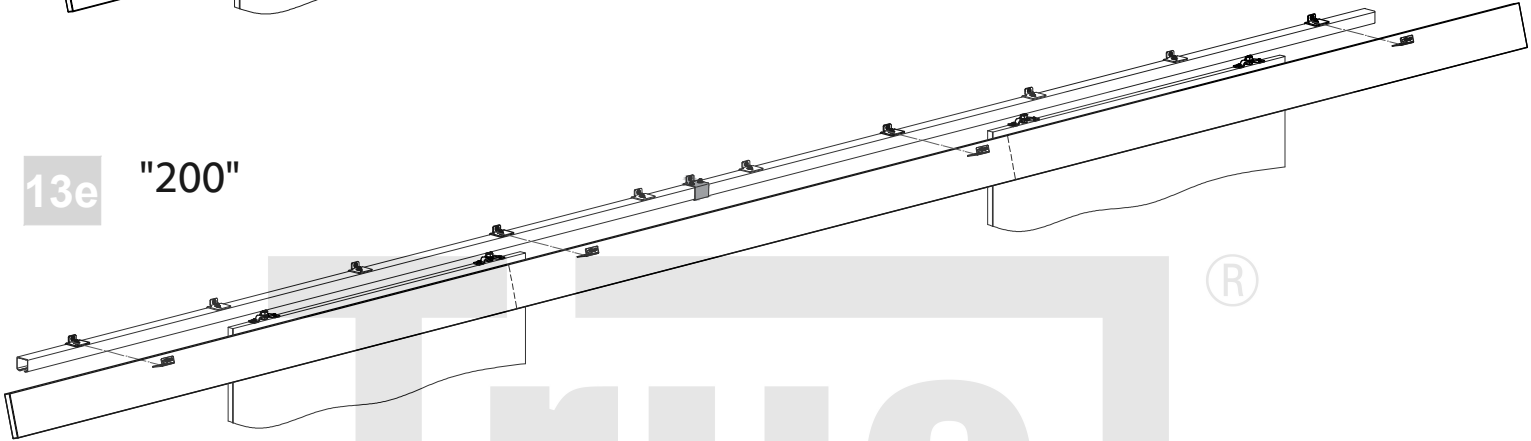
"160"



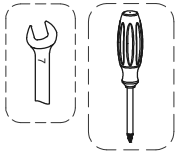
13d "180"



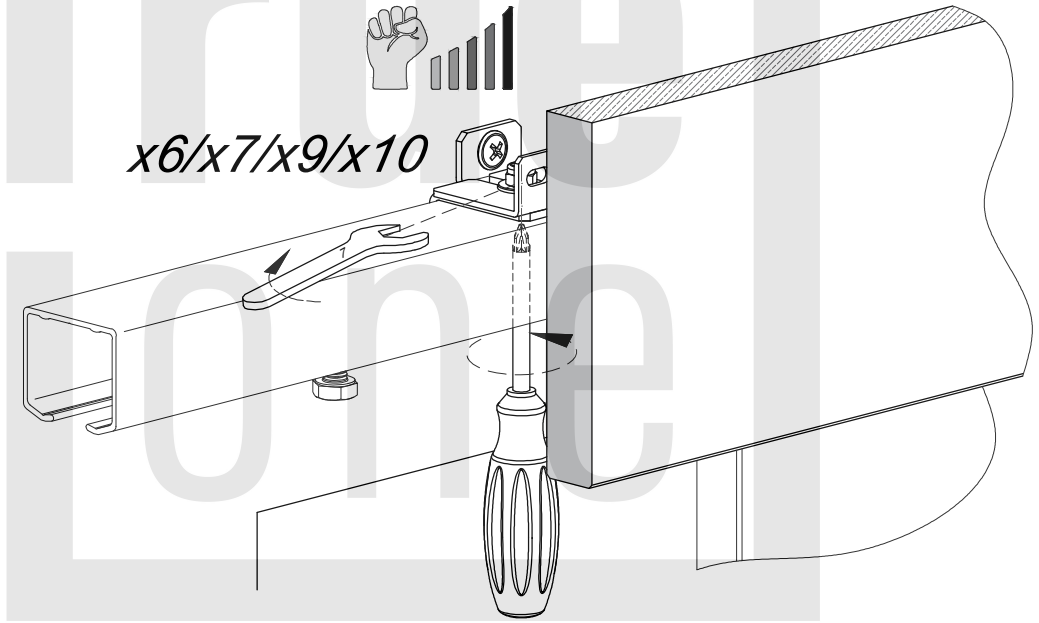
13e "200"



14



x6/x7/x9/x10



15

