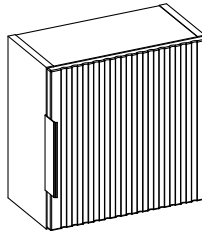
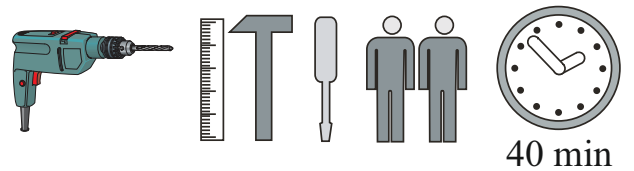
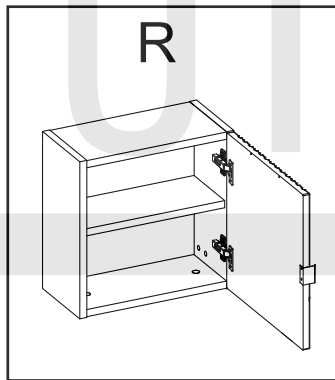
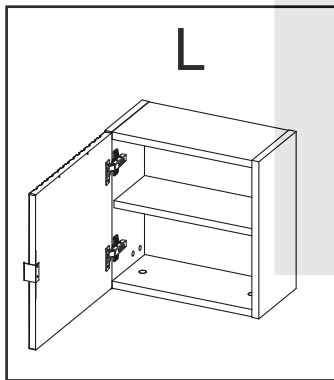
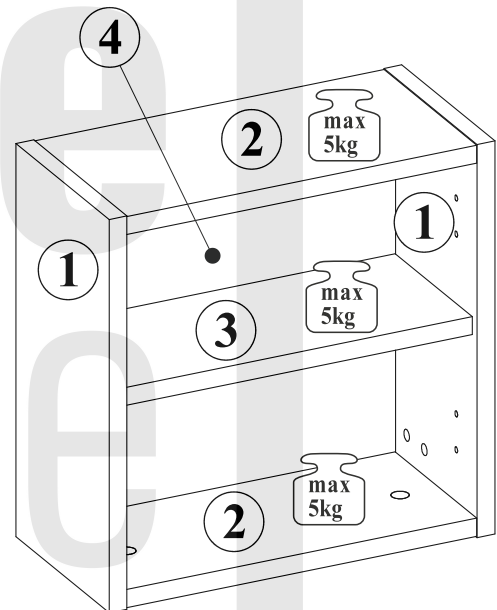
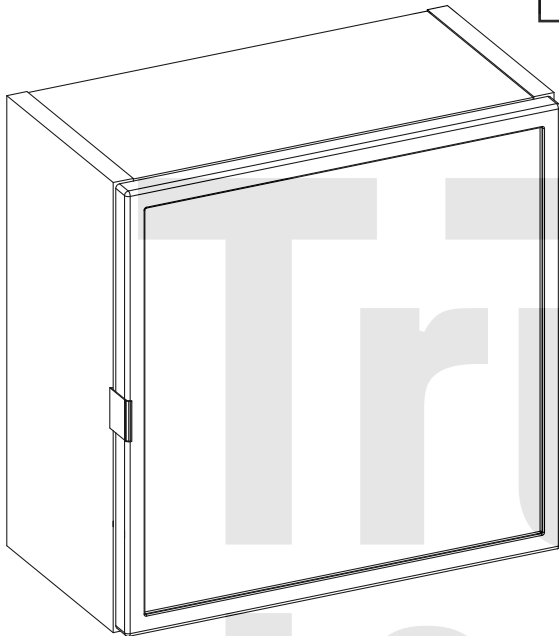
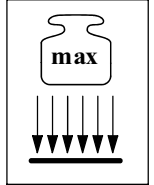
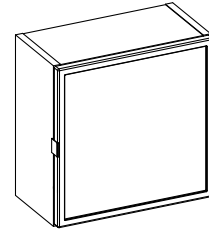


# SZAFKA 35x35 1D

**OPTION 1**

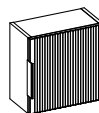
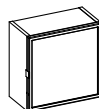


**OPTION 2**



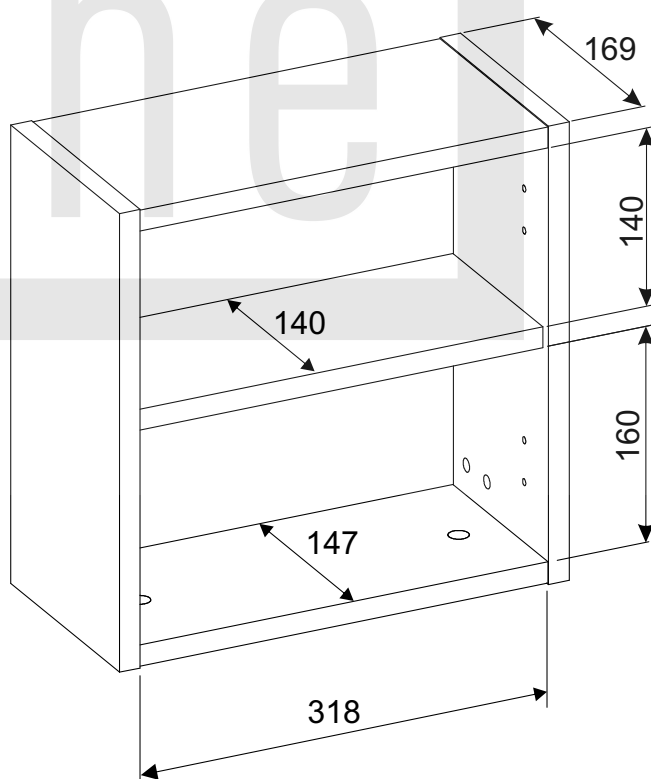
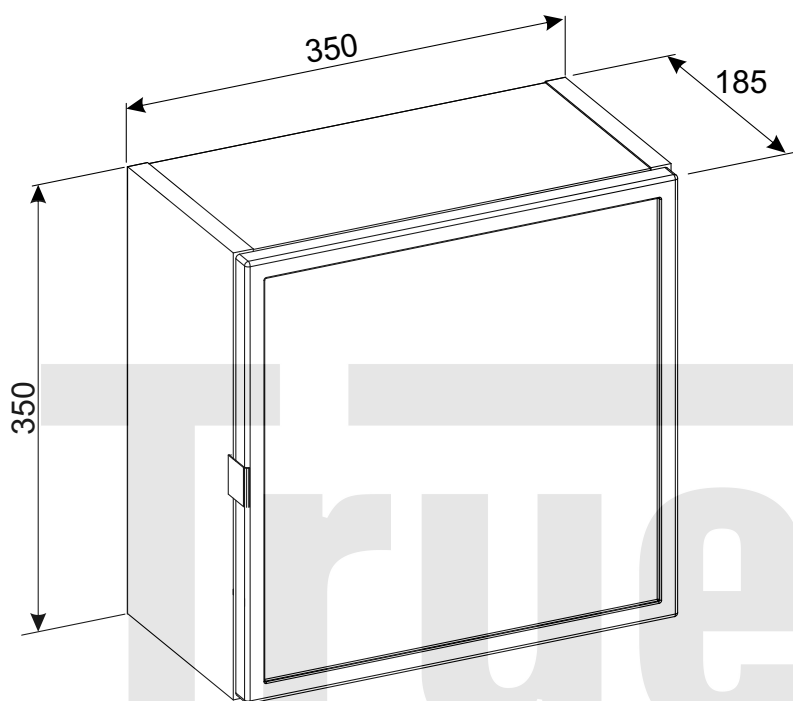
40 min

NO	Dim.			Col.-No	Qty
1	350	169	16	1/1	2
2	318	168	16	1/1	2
3	318	140	16	1/1	1
4	327	327	3	1/1	1
5	346	346	17	1/1	1

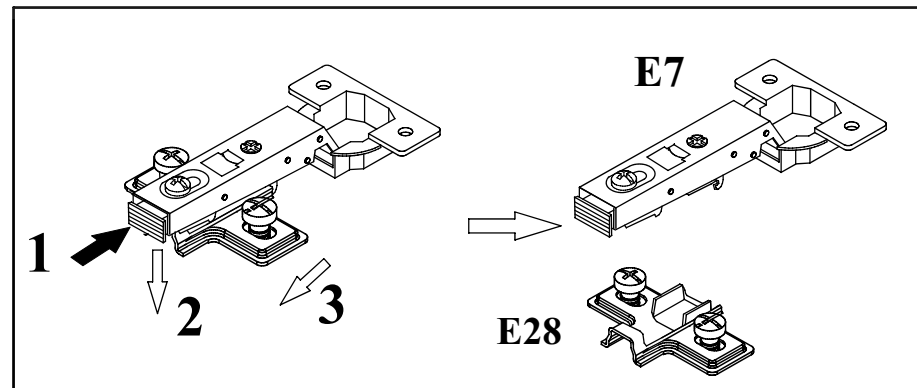
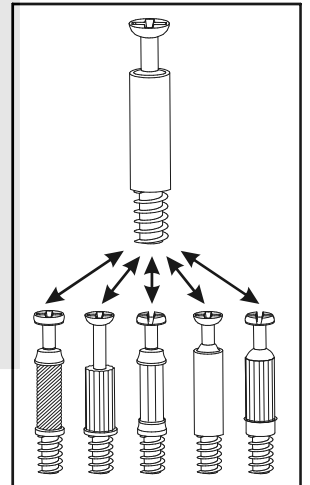
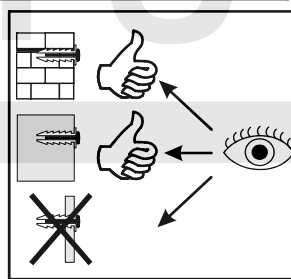
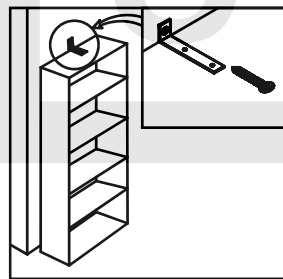
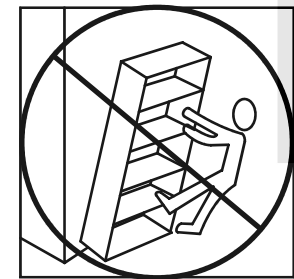
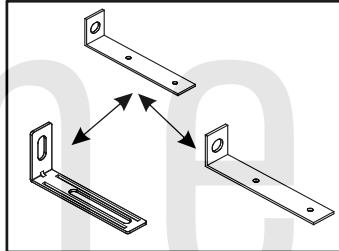
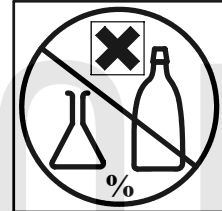
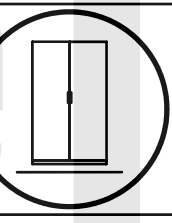
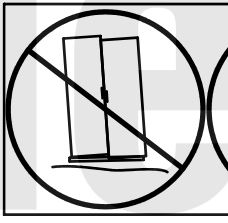
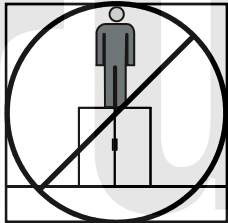
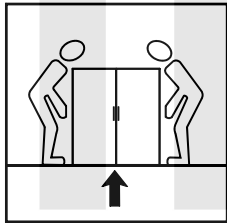
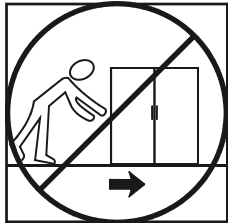
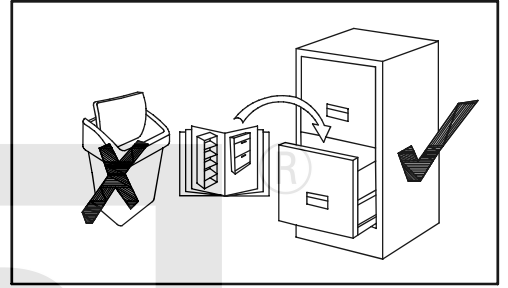
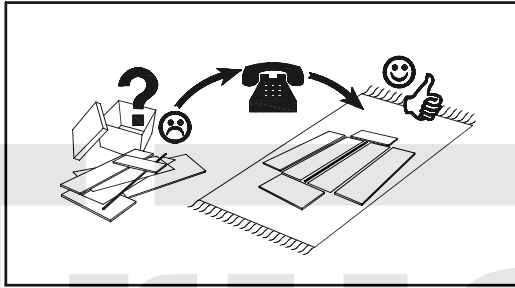
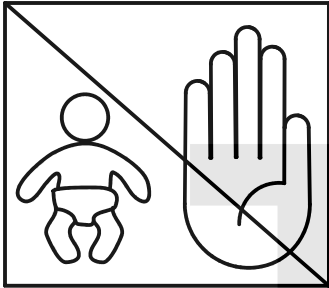
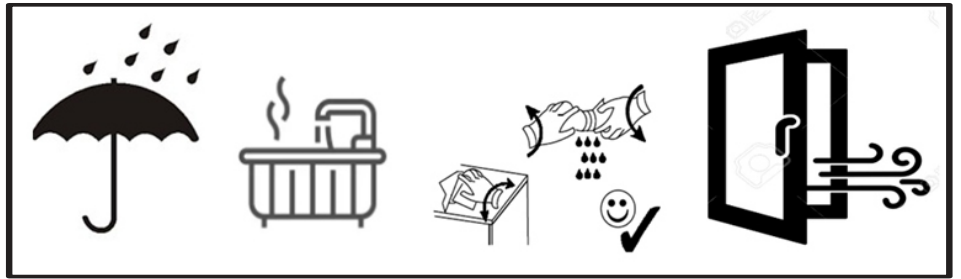
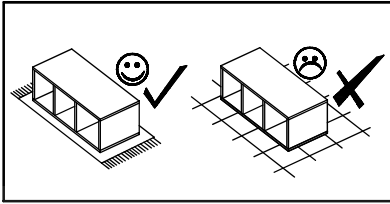
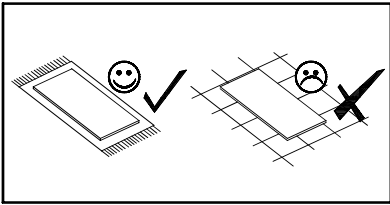


NO	Dim.			Col.-No	Qty
1	350	169	16	1/1	2
2	318	168	16	1/1	2
3	318	140	16	1/1	1
4	327	327	3	1/1	1
5	346	346	16	1/1	1

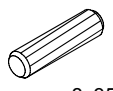
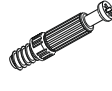


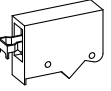
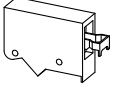
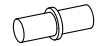


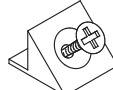


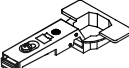
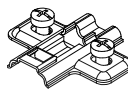

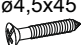

# SZAFKA 35x35 1D



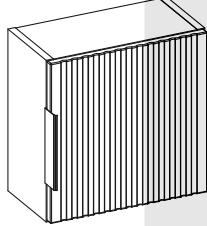
# SZAFKA 35x35 1D

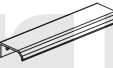



# SZAFKA 35x35 1D

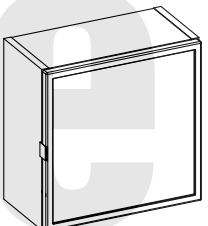
<b>A1</b> x8  ø8x35	<b>B4</b> x4 	<b>B5</b> x4  ø15x12	<b>G5</b> x4 	<b>ZXP</b> x1 	<b>ZXL</b> x1 
<b>G7</b> x4 	<b>D10</b> x4  US ø3,5x13	<b>SZ7</b> x2 	<b>S1</b> x4 	<b>D6</b> x4  US ø4x30	<b>Z2</b> x4  ø5
<b>E7</b> x2  Ø35 H=0	<b>E28</b> x2  H=0	<b>Z4</b> x4  ø10	<b>SZ6</b> x4  ø4,5x45  ø8x40		

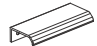

**OPTION 1**



<b>G04</b> x1  L-148mm.
<b>D10</b> x2  USø3,5x13

**OPTION 2** ®



<b>G05</b> x1  L-32mm.
<b>D10</b> x2  USø3,5x13



# SZAFKA 35x35 1D

1

B4	
x4	

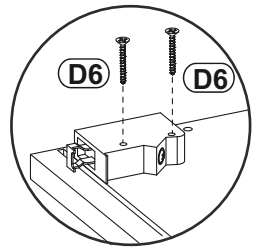
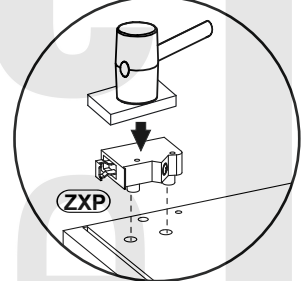
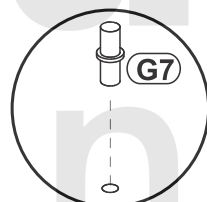
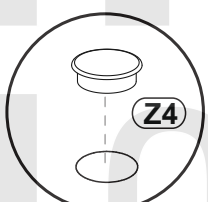
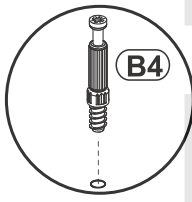
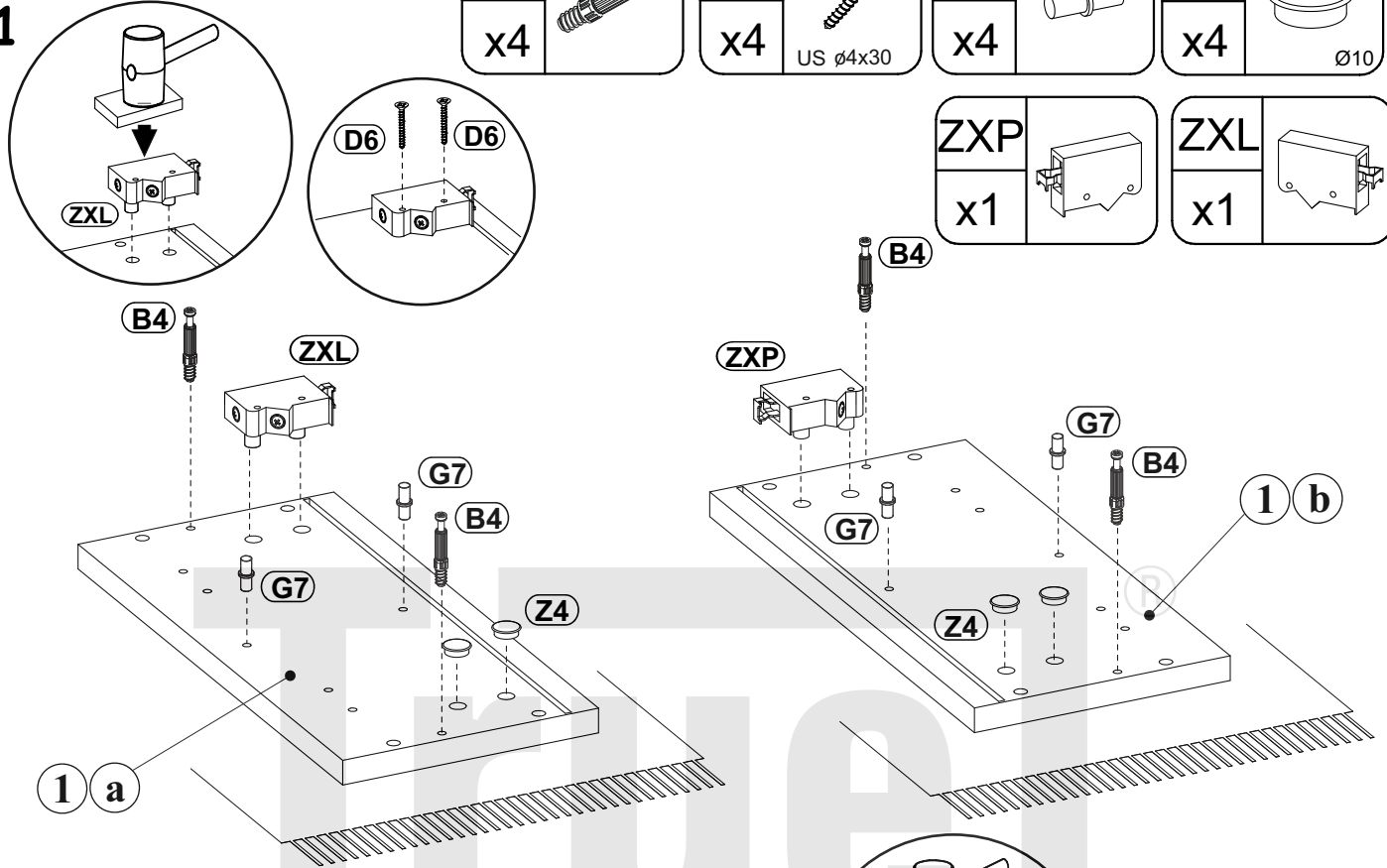
D6	
x4	US $\phi 4 \times 30$

G7	
x4	

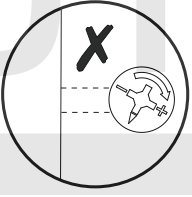
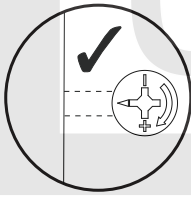
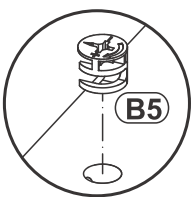
Z4	
x4	$\phi 10$

ZXP	
x1	

ZXL	
x1	

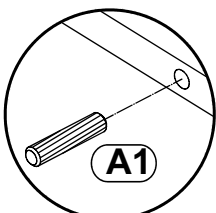
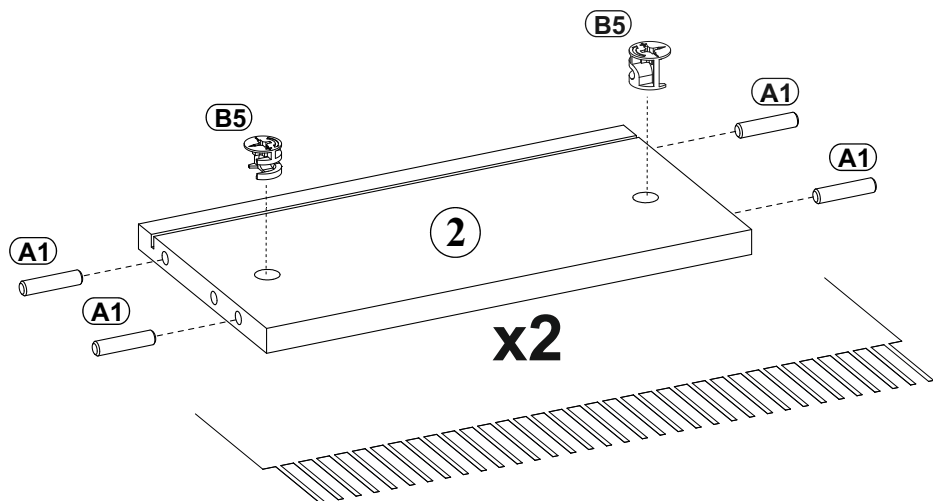


2



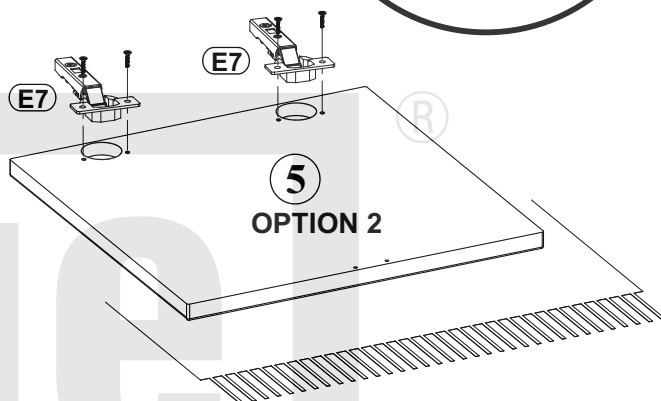
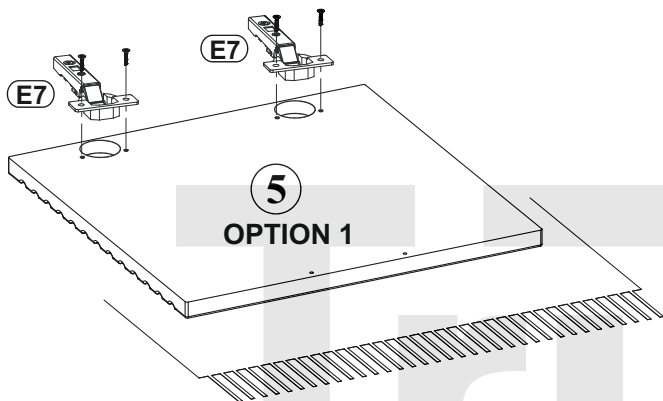
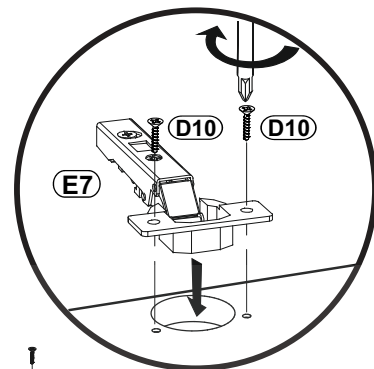
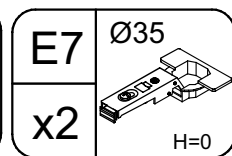
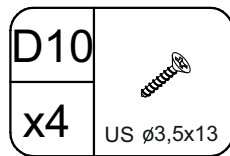
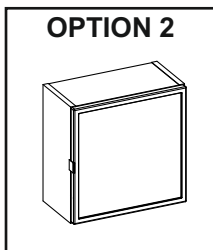
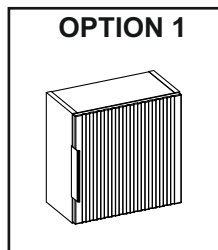
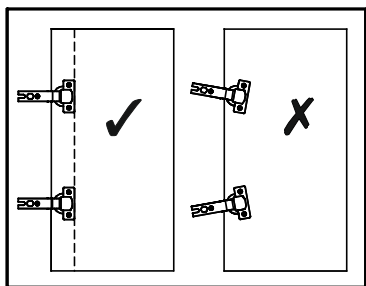
A1	
x8	$\phi 8 \times 35$

B5	
x4	$\phi 15 \times 12$

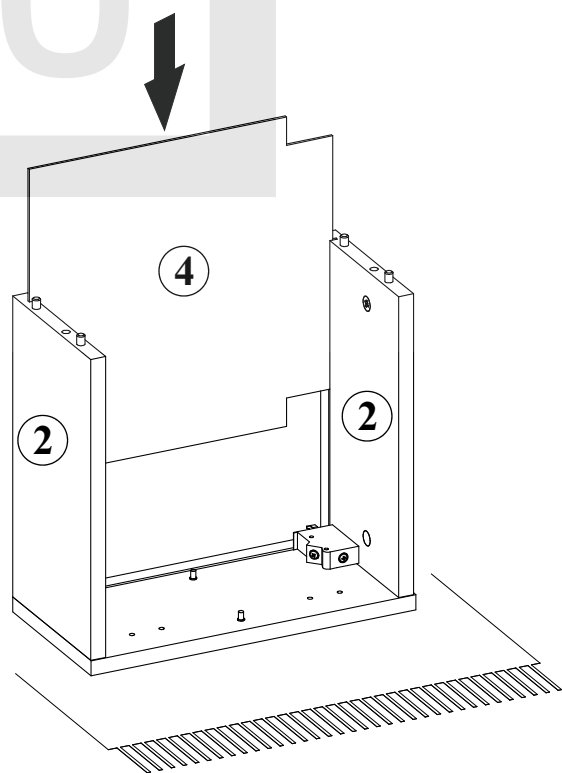
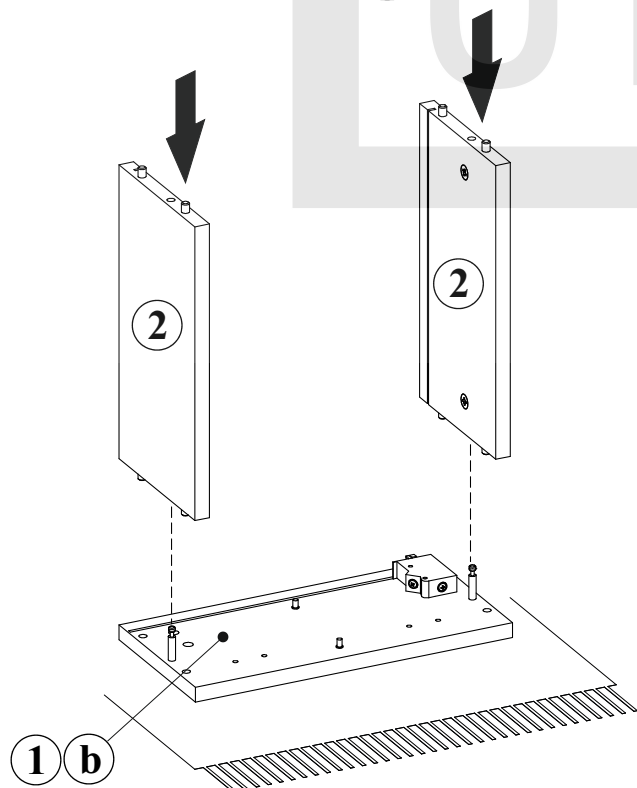
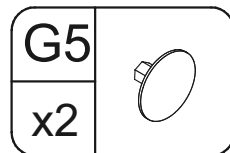
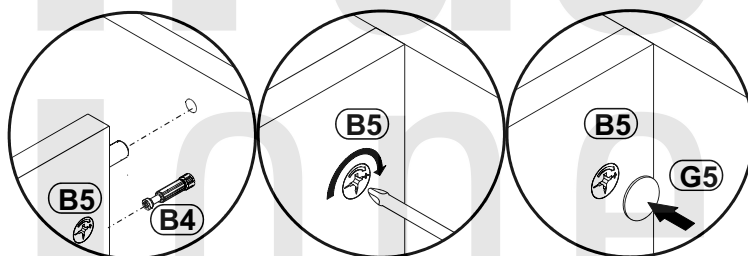


# SZAFKA 35x35 1D

3

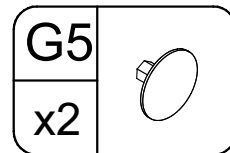
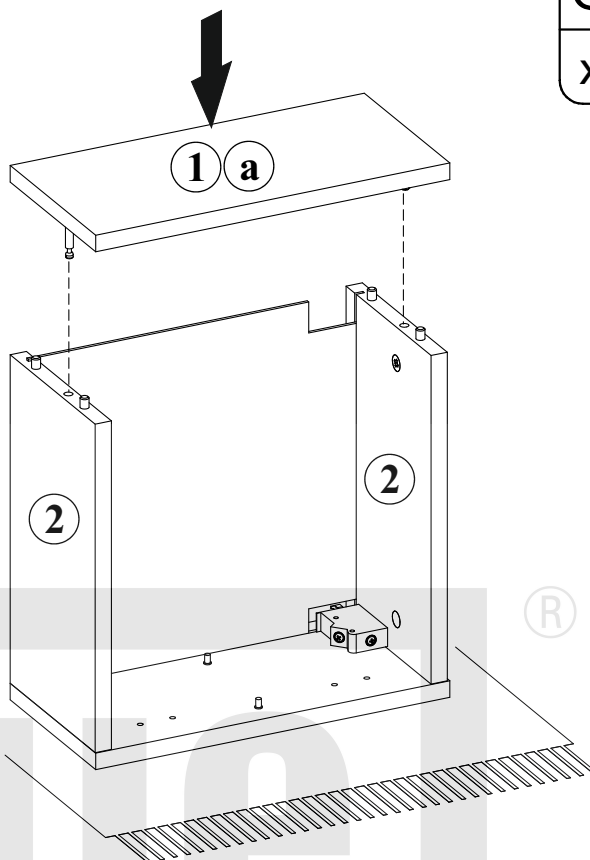
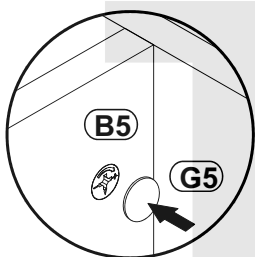
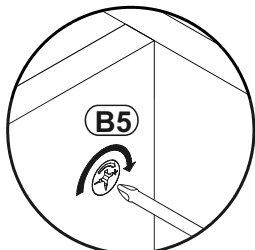
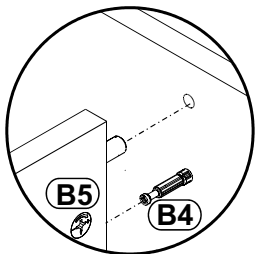


4

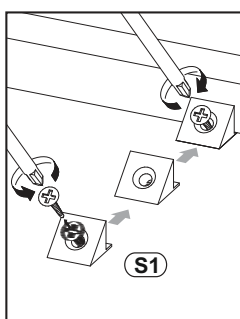
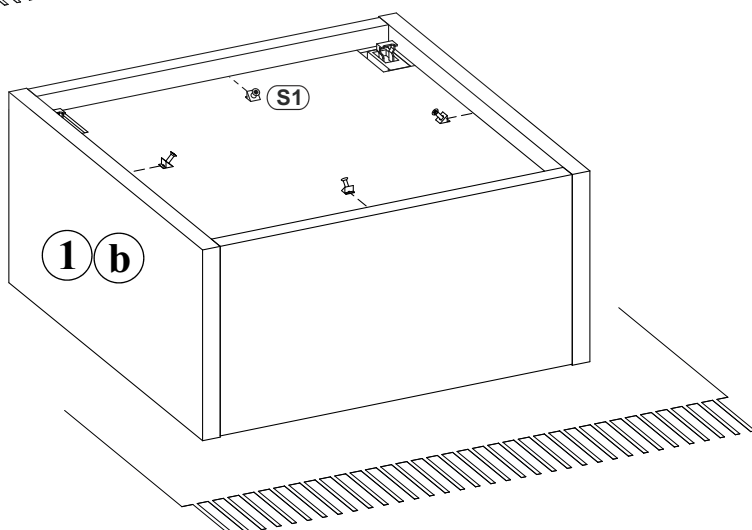
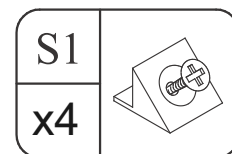
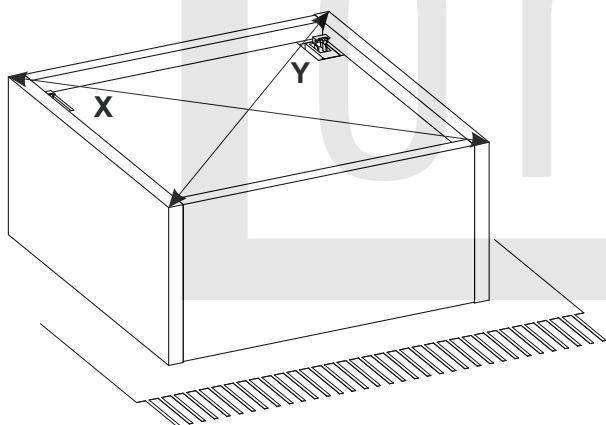


SZAFKA 35x35 1D

5

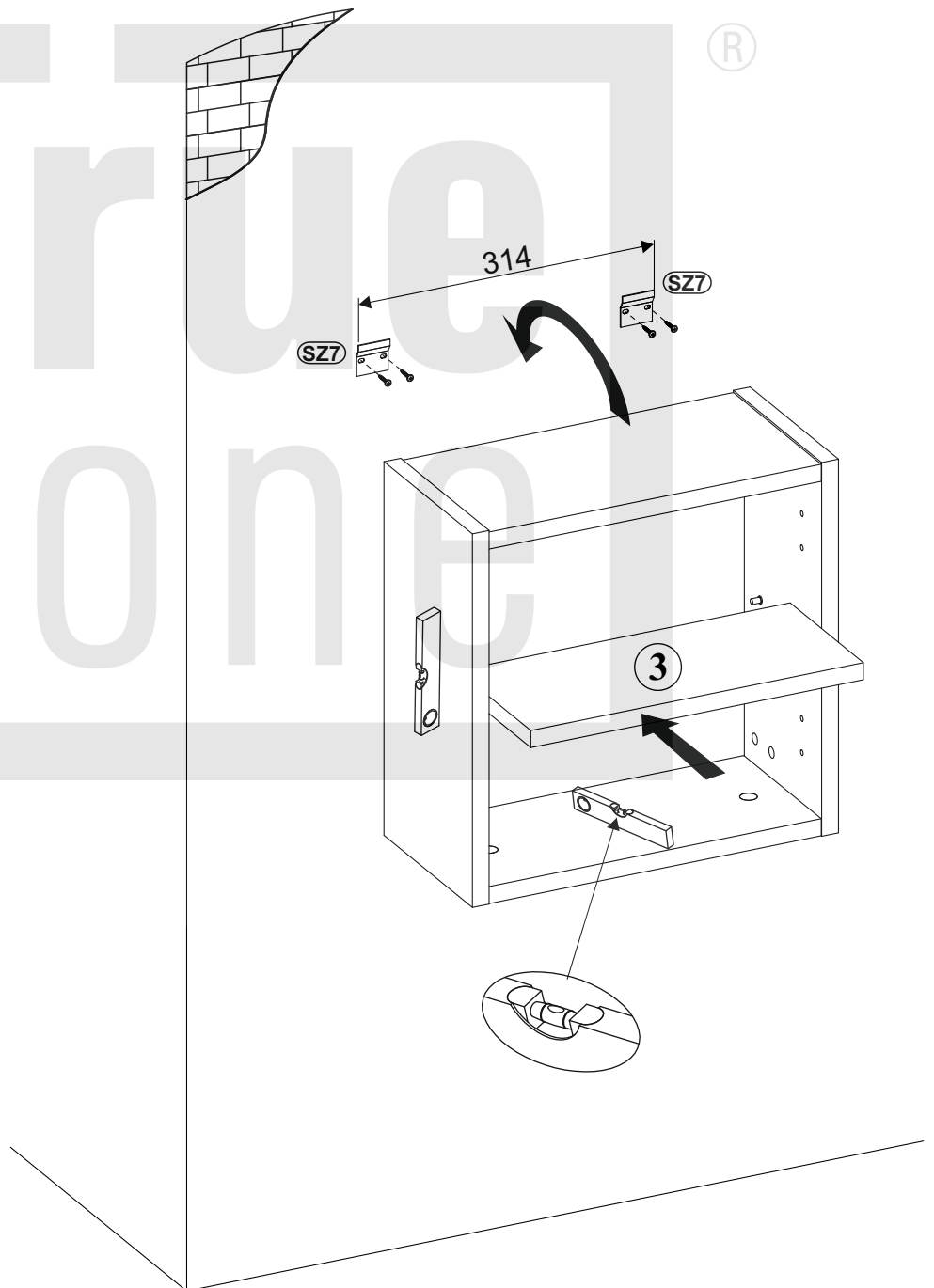
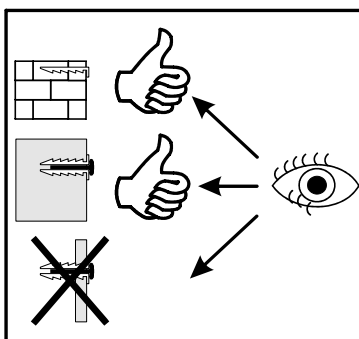
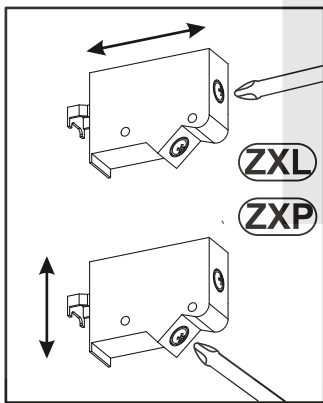
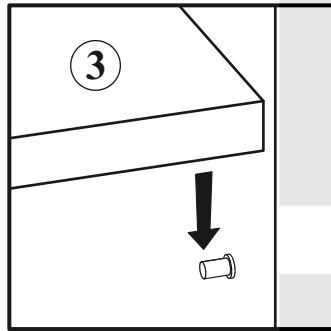
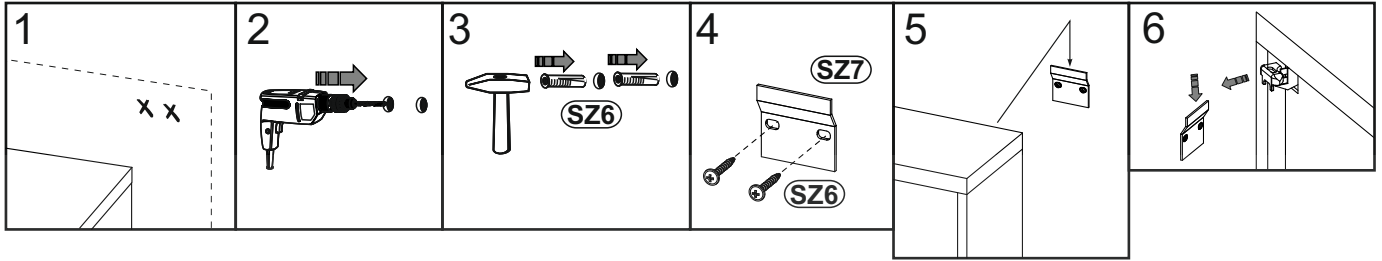
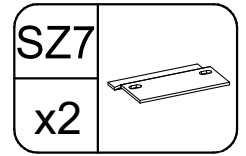
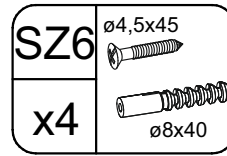


6



# SZAFKA 35x35 1D

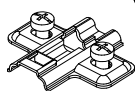

## 7

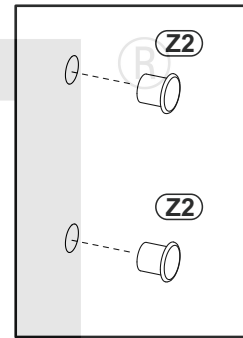
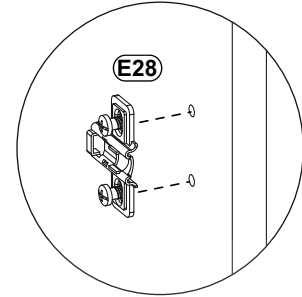
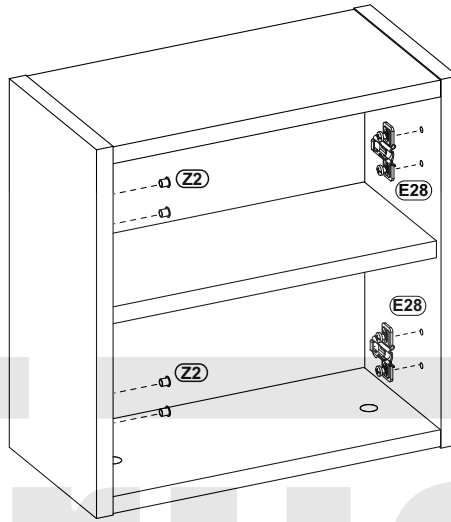
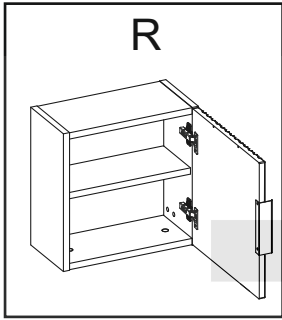




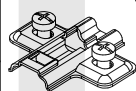

# SZAFKA 35x35 1D

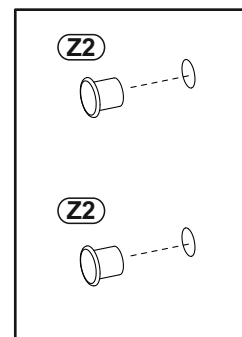
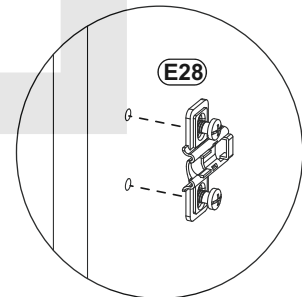
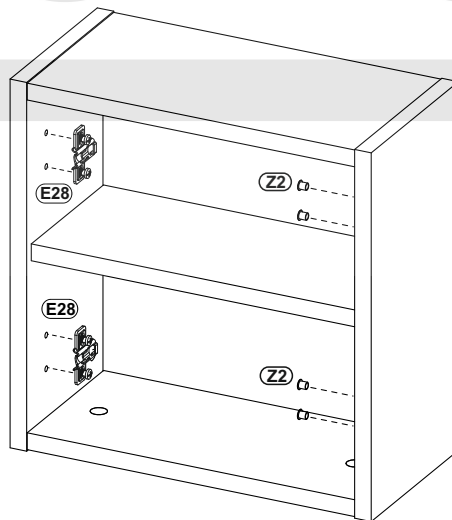
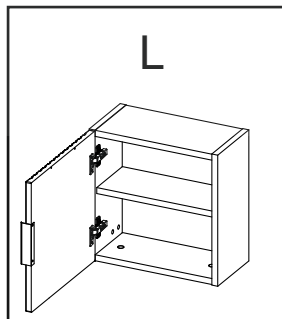
## 8

E28		Z2	
x2	H=0	x4	Ø5





## 9

E28		Z2	
x2	H=0	x4	Ø5



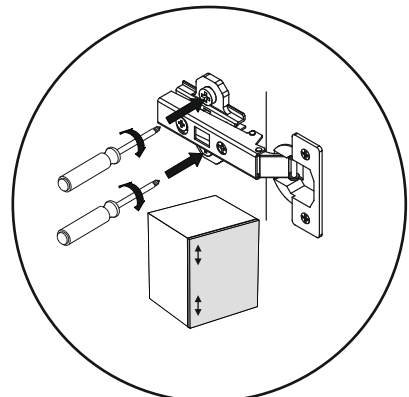
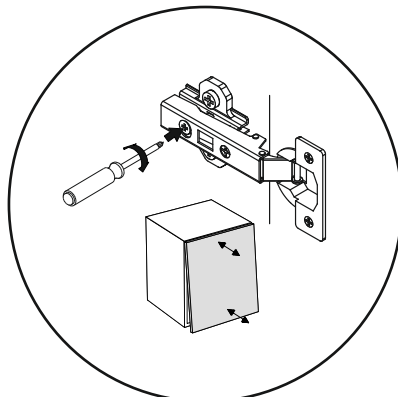
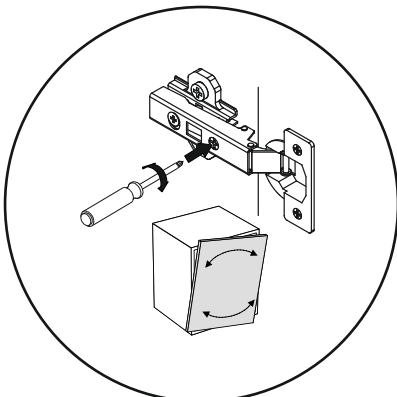
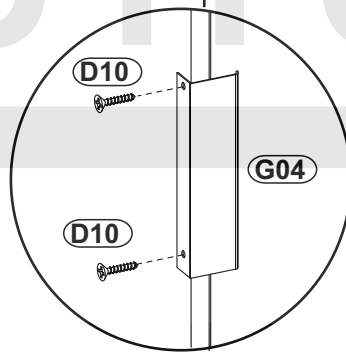
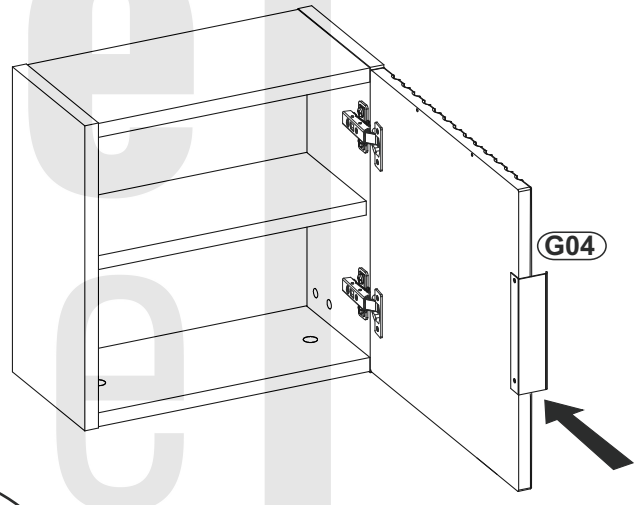
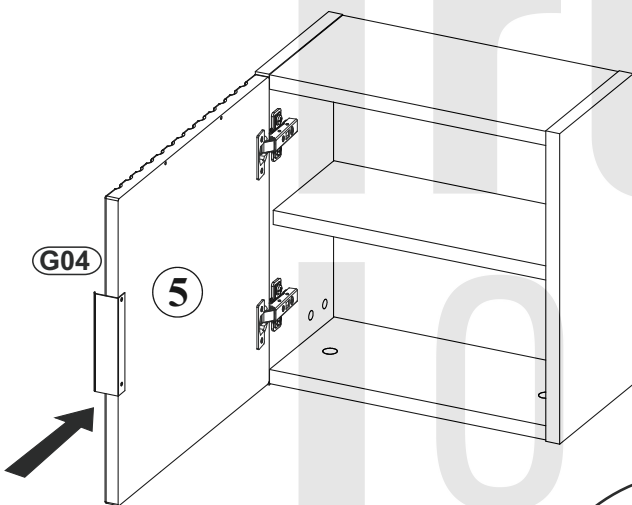
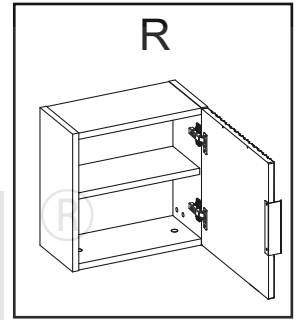
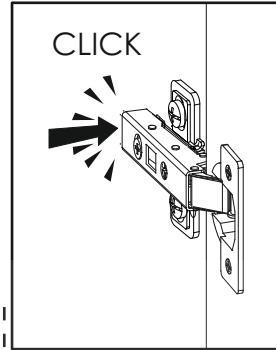
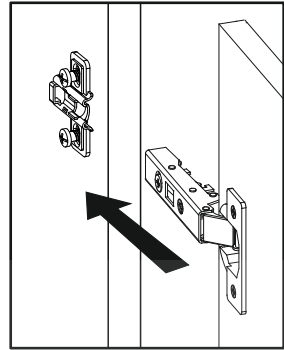
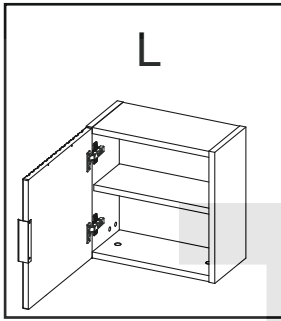
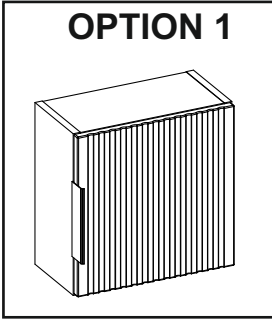
# SZAFKA 35x35 1D

G04	
x1	L-148mm.


D10	
x2	US ø3,5x13

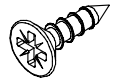
## 10

### OPTION 1



# SZAFKA 35x35 1D

G05	
x1	L-32mm.

D10	
x2	USØ3,5x13

11

OPTION 2

