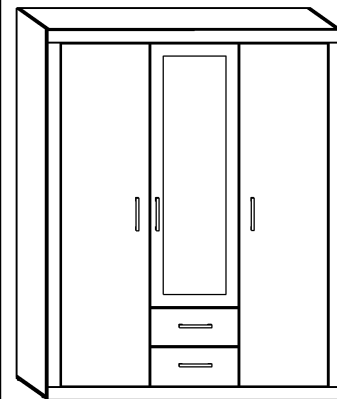


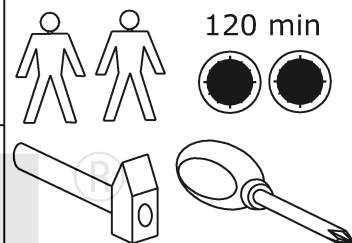


VIK-07 VIKI - GARDEROBA 3D

→ 165 ↑ 209 ↘ 58



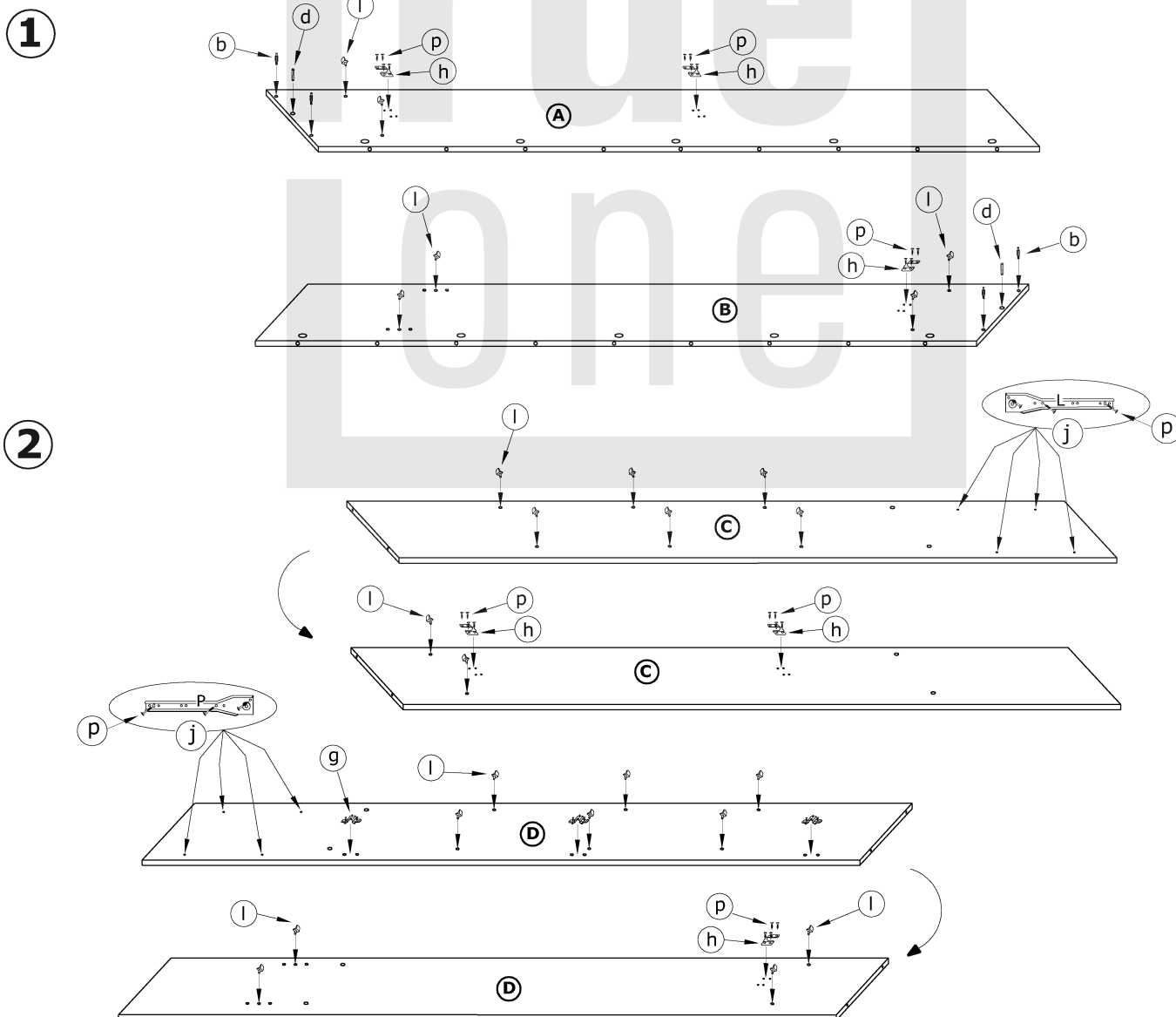
| | | | | | |
|-----------------------|----------------------------|-----------------------|----------------|--------------|--------------|
| x 24 a | x 22 b | x 22 c | x 20 d | x 6 e | x 3 f |
| x 9 g | x 6 h | x 4 k | x 24 l | x 5 m | |
| x 4 n | x 74 (3,5x16) p | x 8 (3,5x30) r | x 140 s | x 1 t | |
| x 3 (545 mm) i | x 2 kpl. (400 mm) j | x 6 o | | | |



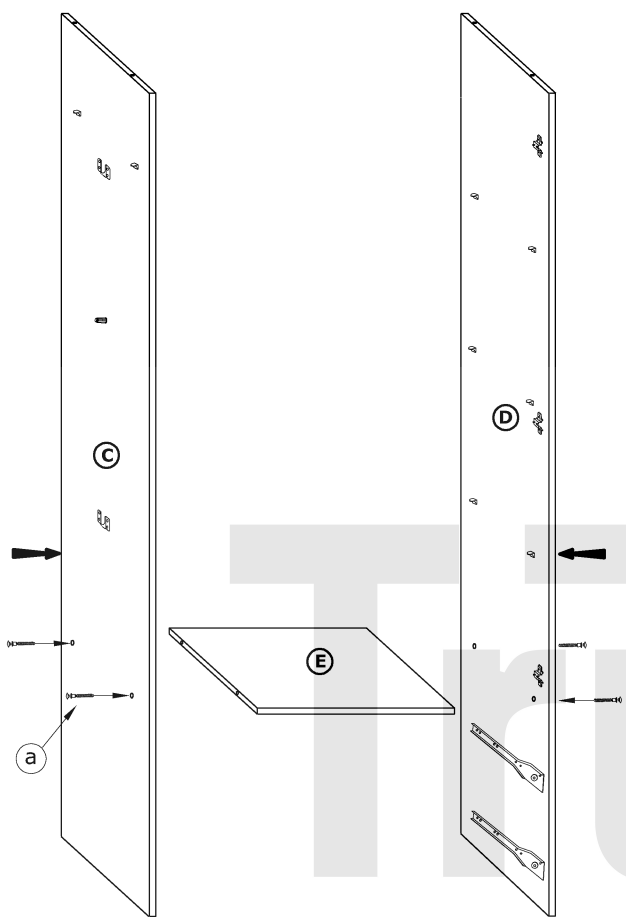
1 - FAZY MONTAŻU

A - OZNACZENIE ELEMENTÓW

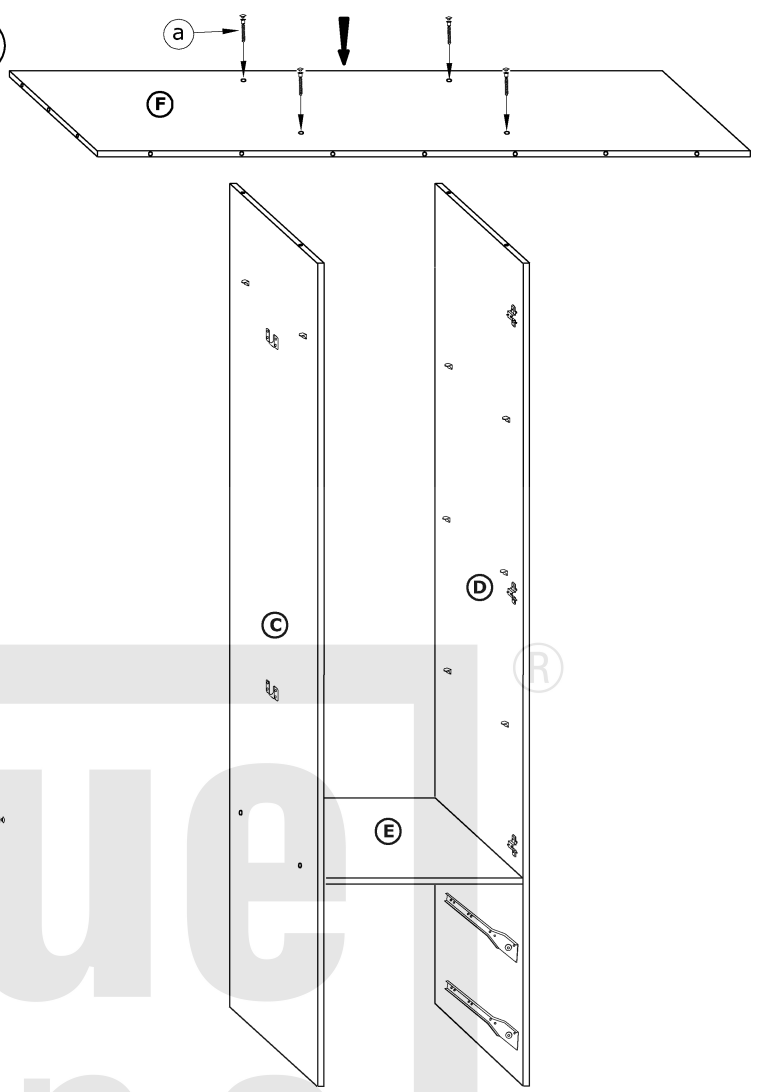
a - OZNACZENIE AKCESORIÓW



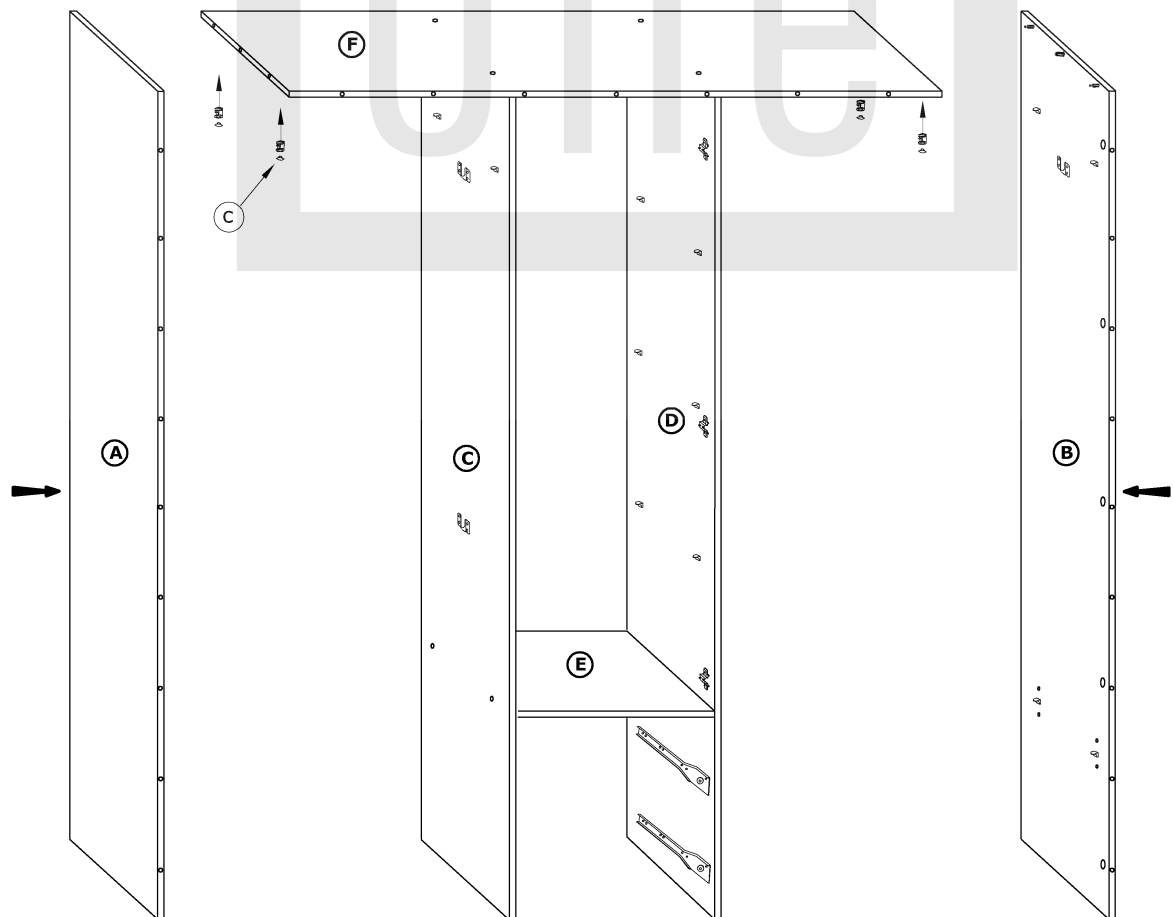
3



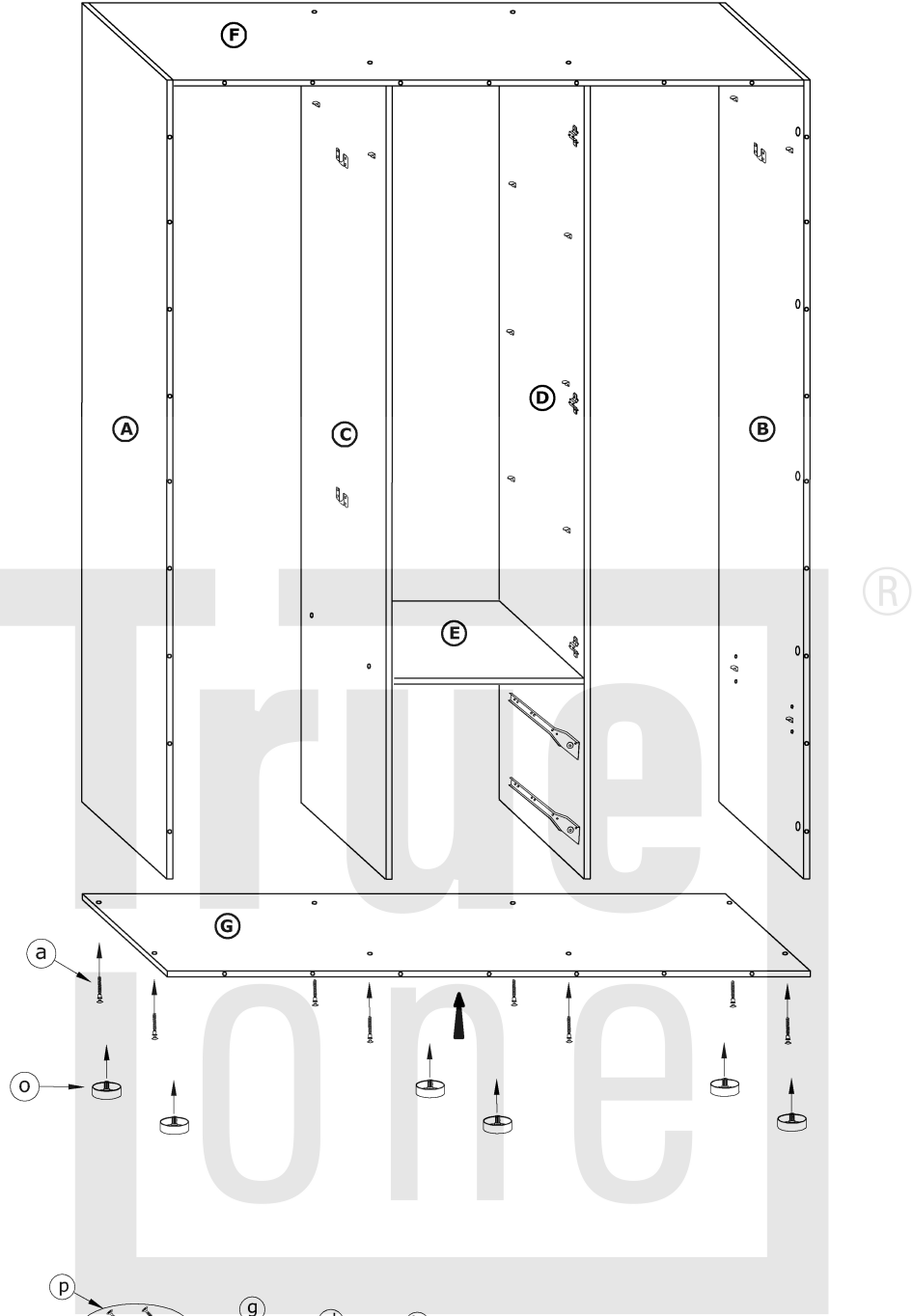
4



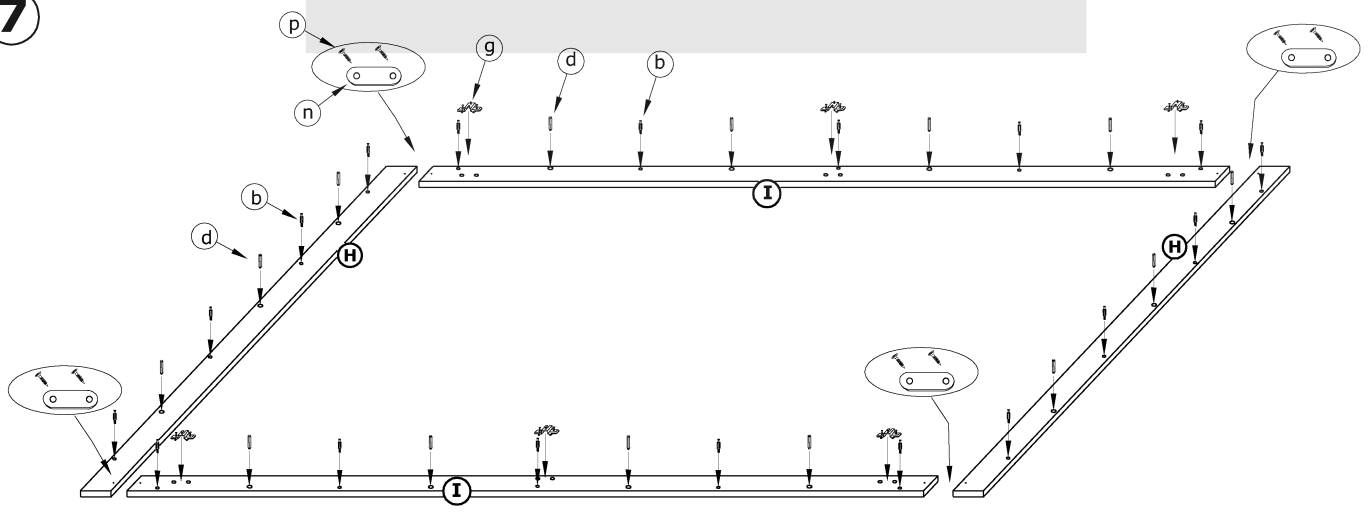
5



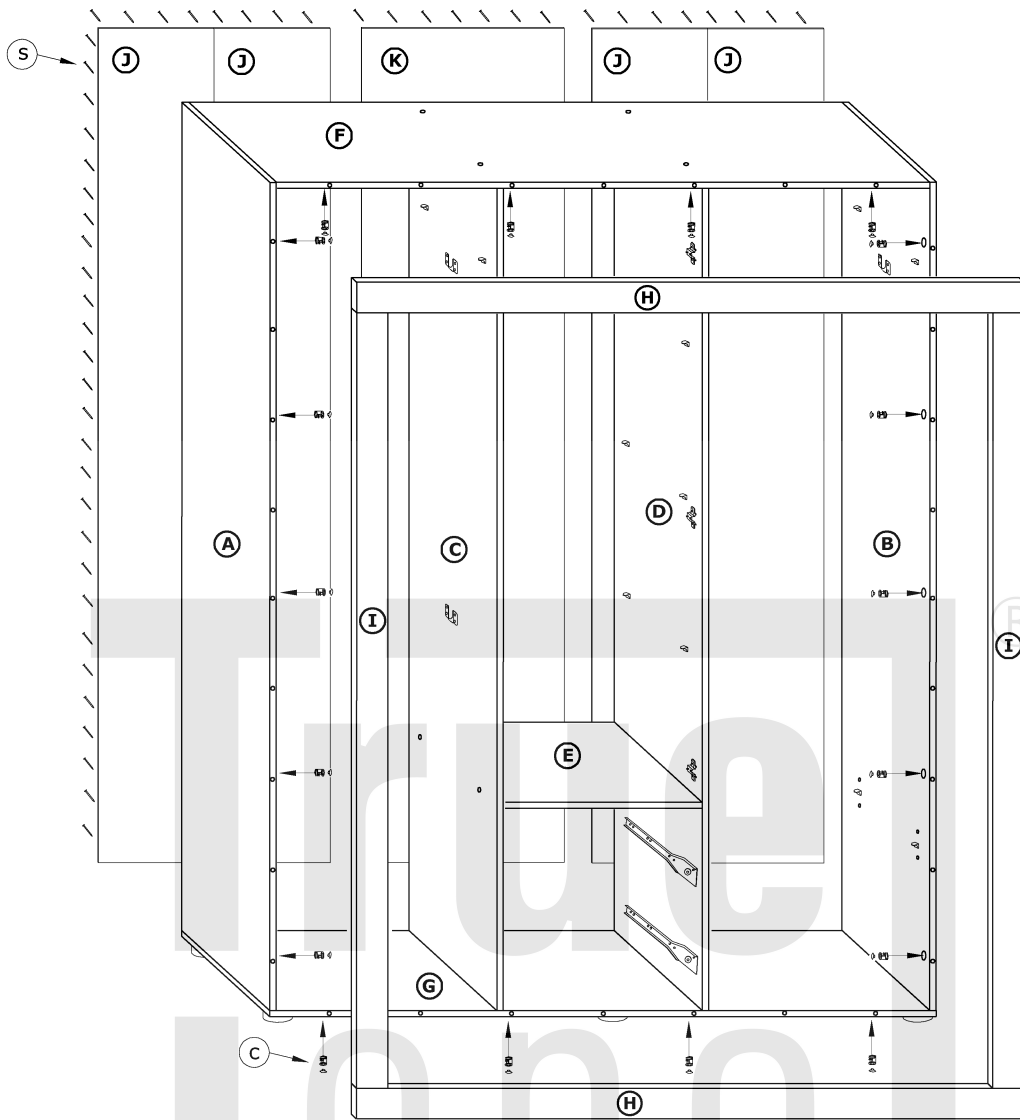
6



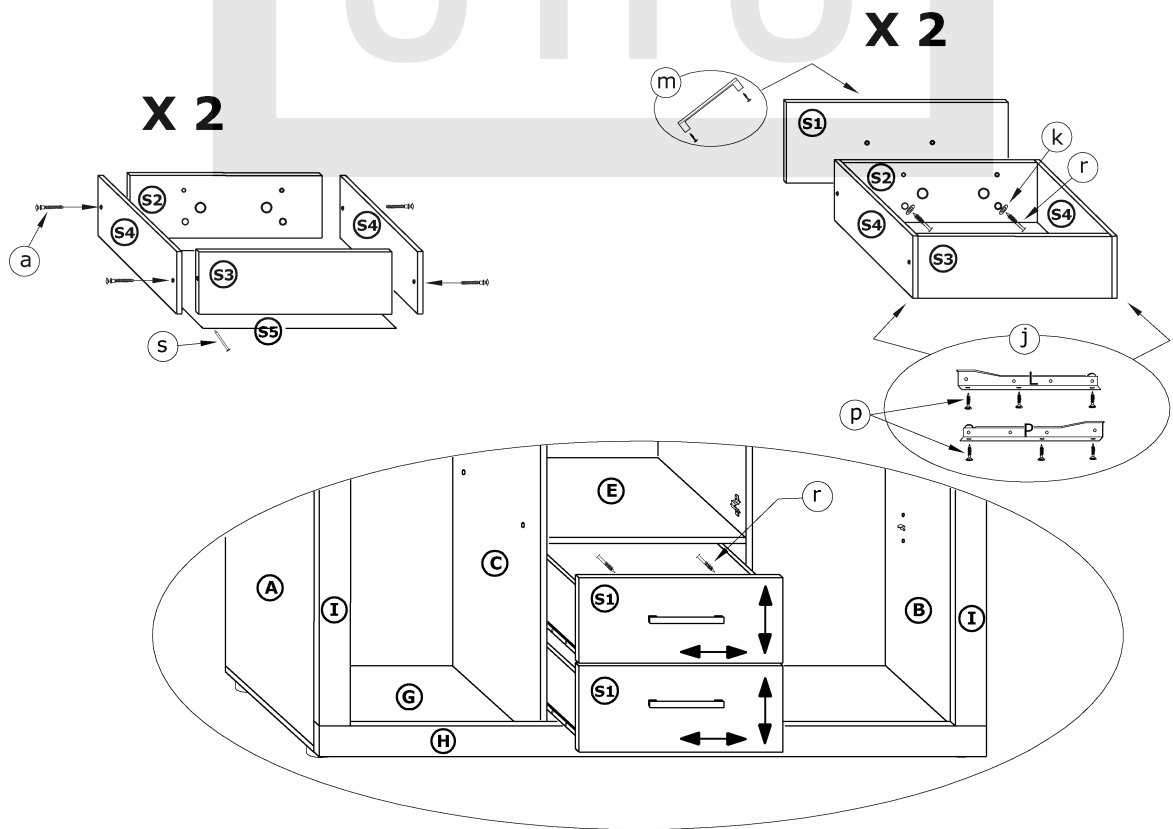
7



8



9



10

