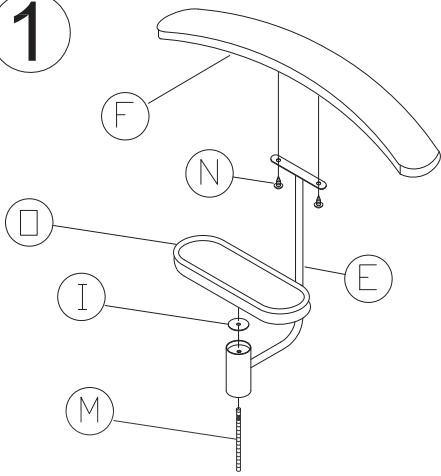
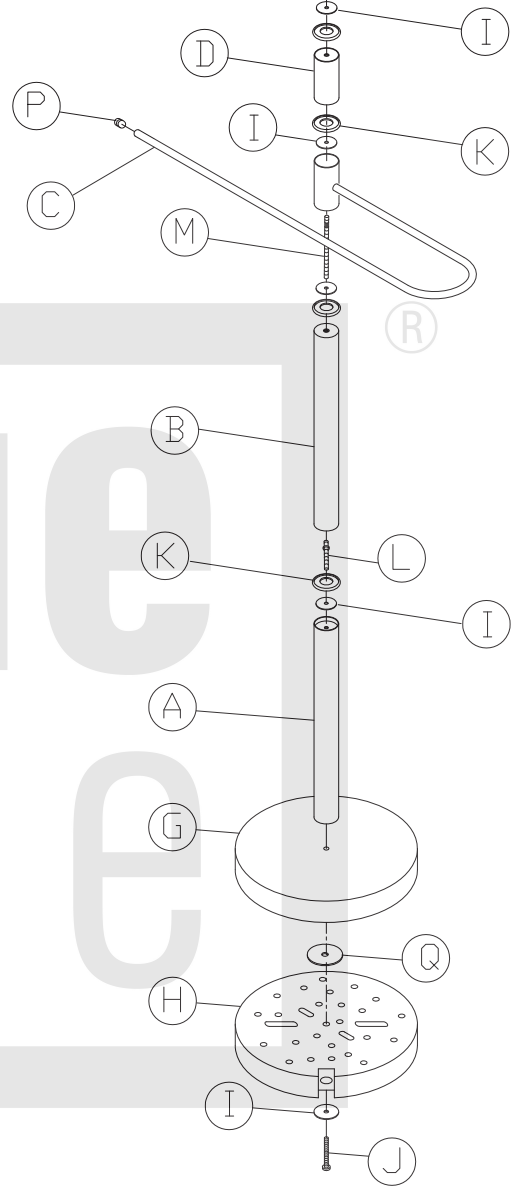


1



2



<p>(A)</p> <p>x1</p>	<p>(E)</p> <p>x1</p>	<p>(I)</p> <p>x6</p>			
<p>(B)</p> <p>x1</p>	<p>(F)</p> <p>x1</p>	<p>(J)</p> <p>x1</p>			
<p>(C)</p> <p>x1</p>	<p>(G)</p> <p>x1</p>	<p>(K)</p> <p>x4</p>	<p>(M)</p> <p>x2</p>	<p>(D)</p> <p>x1</p>	<p>(Q)</p> <p>x1</p>
<p>(D)</p> <p>x1</p>	<p>(H)</p> <p>x1</p>	<p>(L)</p> <p>x1</p>	<p>(N)</p> <p>x2</p>	<p>(P)</p> <p>x1</p>	<p>(R)</p> <p>x1</p>