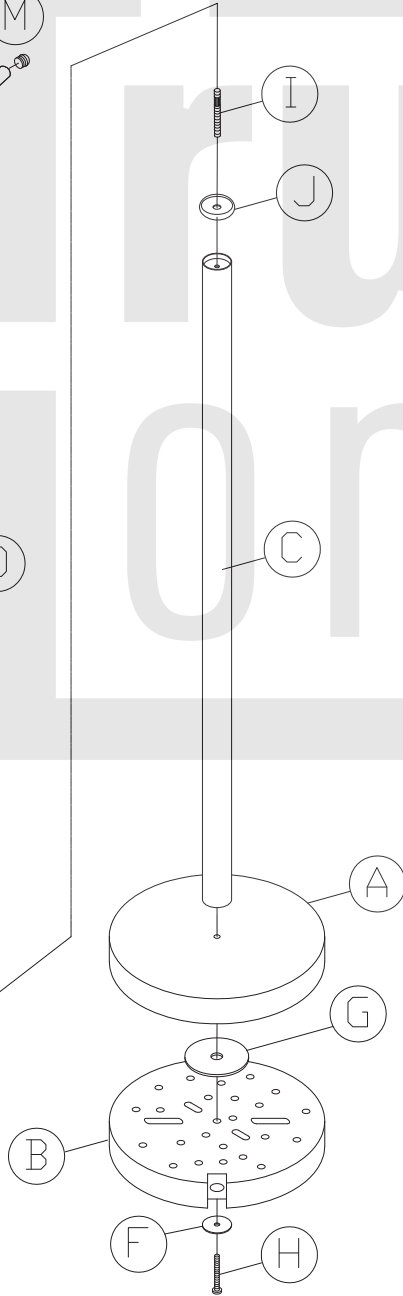
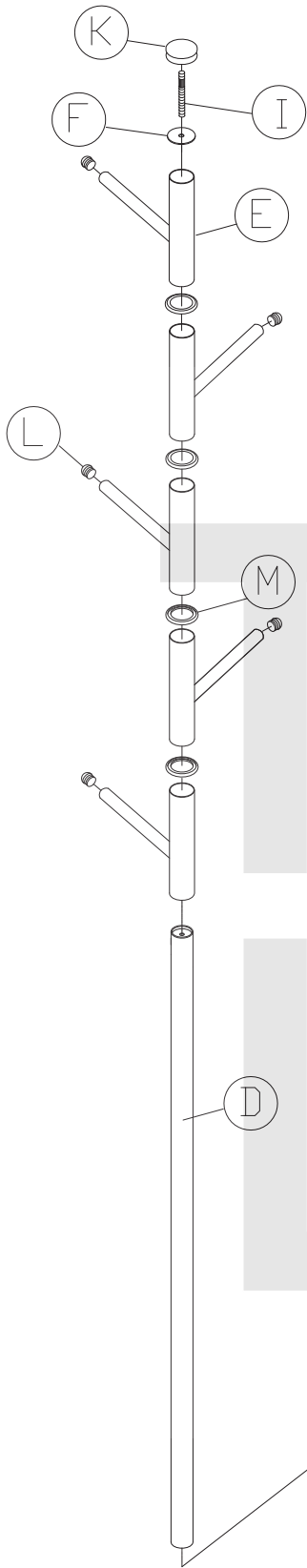
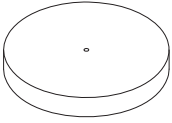
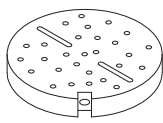
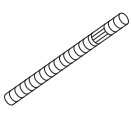
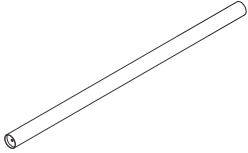
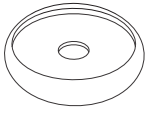
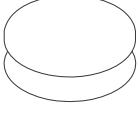
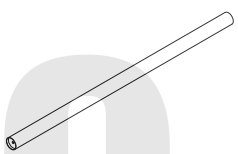
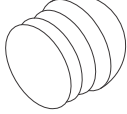
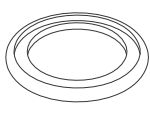

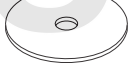
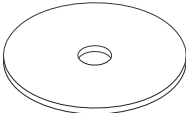
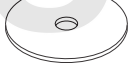
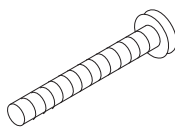
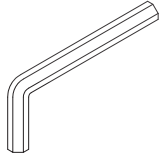


# DUKE



 <p>(A)</p> <p>x1</p>	 <p>(B)</p> <p>x1</p>	 <p>(I)</p> <p>x2</p>
 <p>(C)</p> <p>x1</p>	 <p>(J)</p> <p>x1</p>	 <p>(K)</p> <p>x1</p>
 <p>(D)</p> <p>x1</p>	 <p>(L)</p> <p>x5</p>	 <p>(M)</p> <p>x4</p>
 <p>(E)</p> <p>x5</p>	 <p>(F)</p> <p>x2</p>	 <p>(G)</p> <p>x1</p>
 <p>(F)</p> <p>x2</p>	 <p>(H)</p> <p>x1</p>	 <p>(N)</p> <p>x1</p>