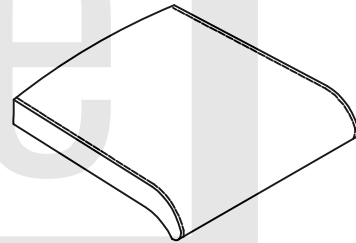
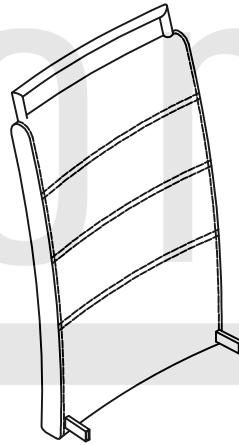
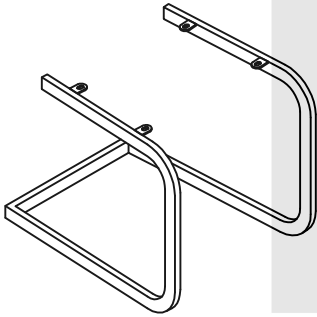


1

2

3



1	1x
2	1x
3	1x

A



M6x20mm

4x

B



M6x12mm

4x

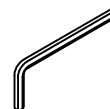
C



Ø18\*Ø6\*1.5mm

4x

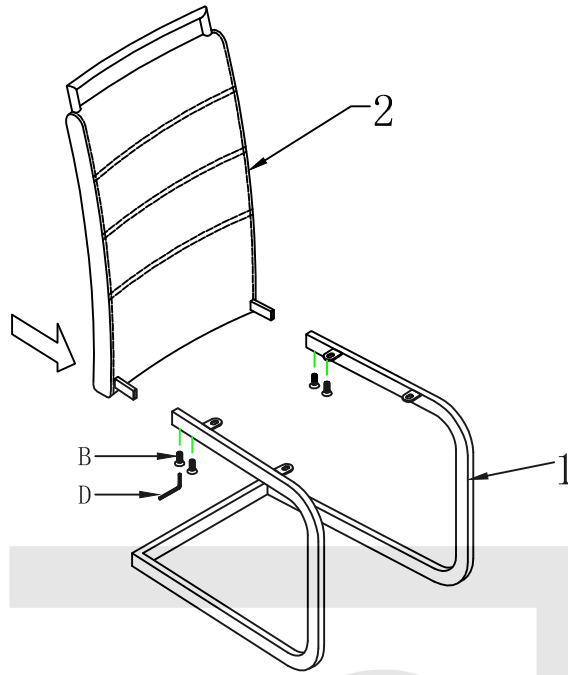
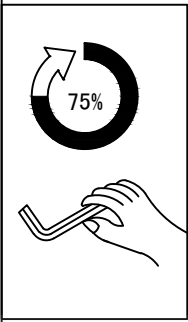
D



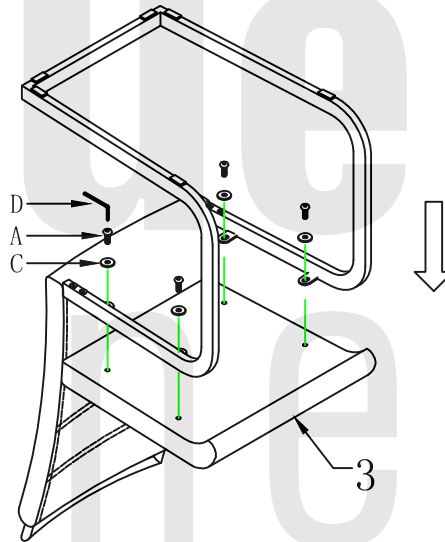
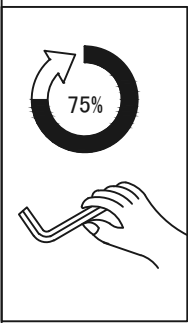
4mm

1x

1.



2.



3.

