

# ESCADA B III 55x55

A-1pc

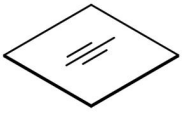
B-2pcs

C-2pcs

D-16pcs

E-4pcs

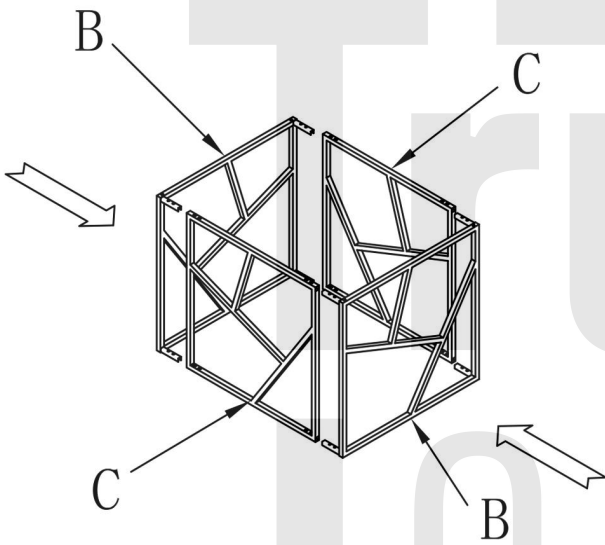
F-1pcs



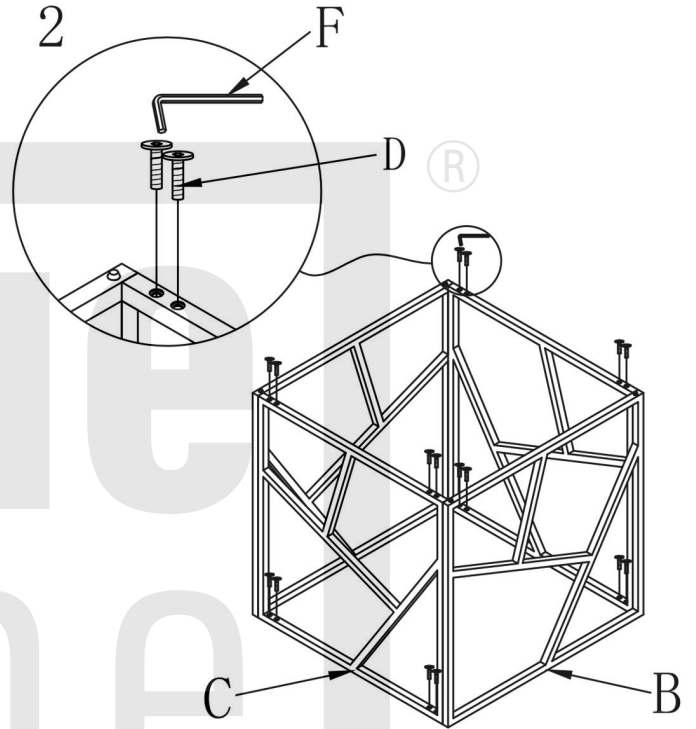
M5x10 mm



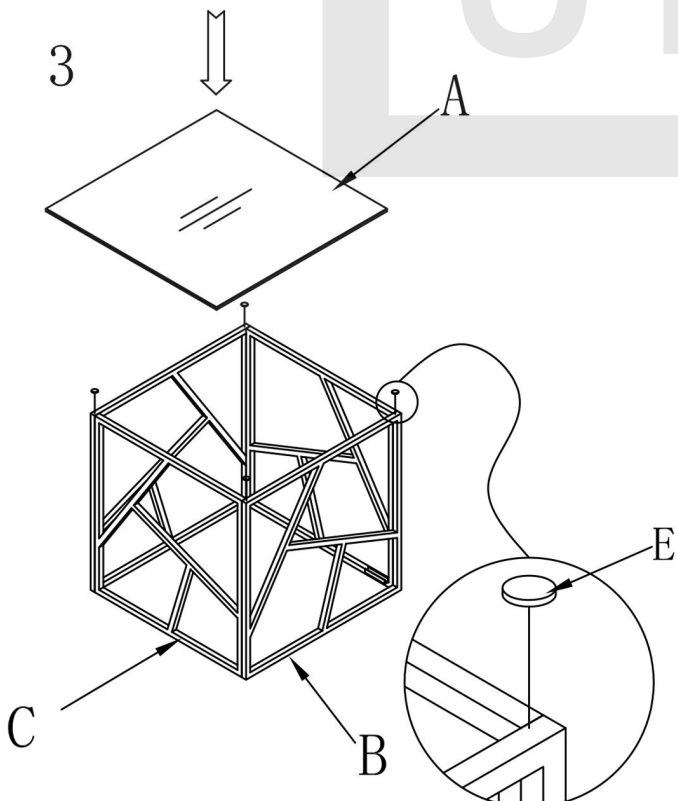
1



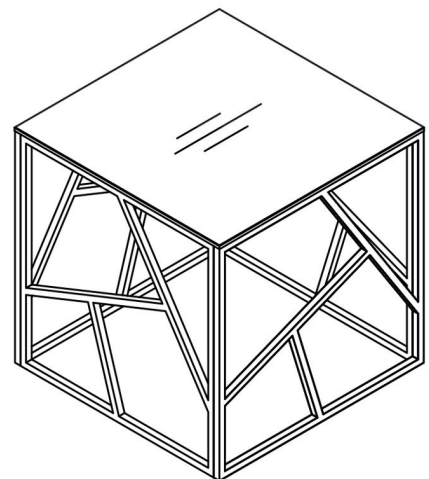
2



3



4



 max. 20 kg