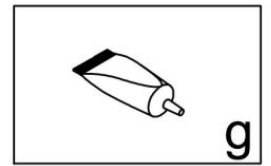
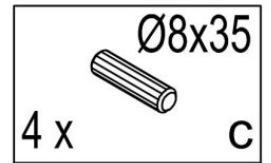
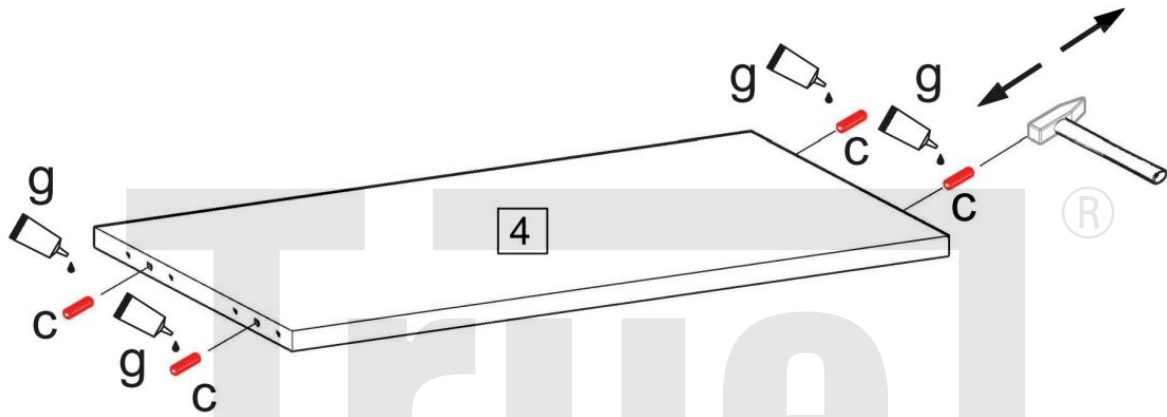


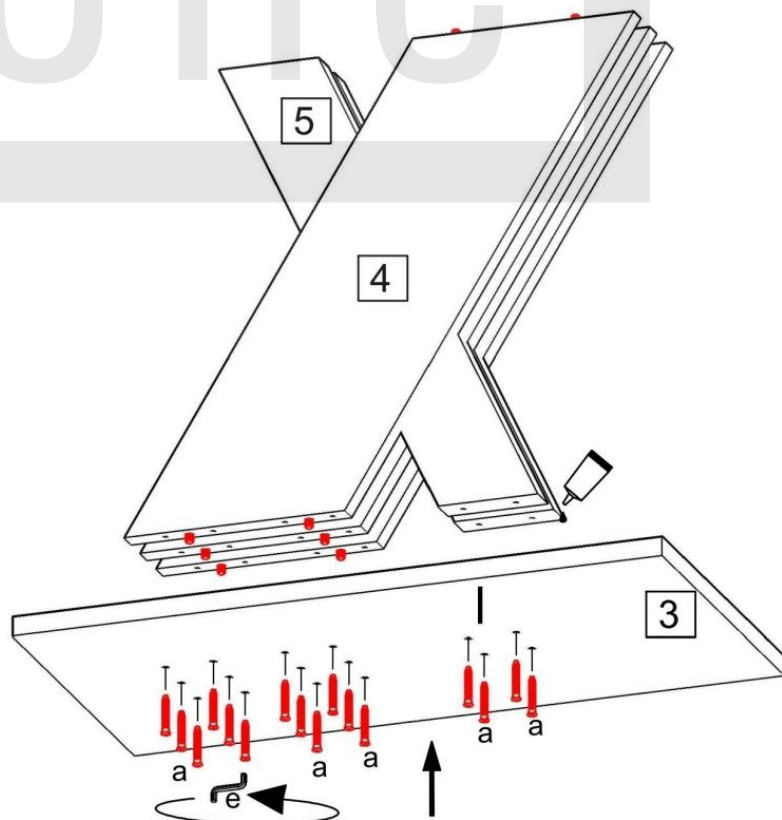
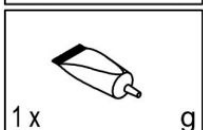
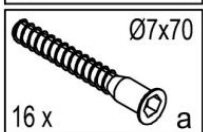
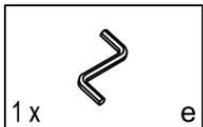
A  **EXEL**



3 x



B 

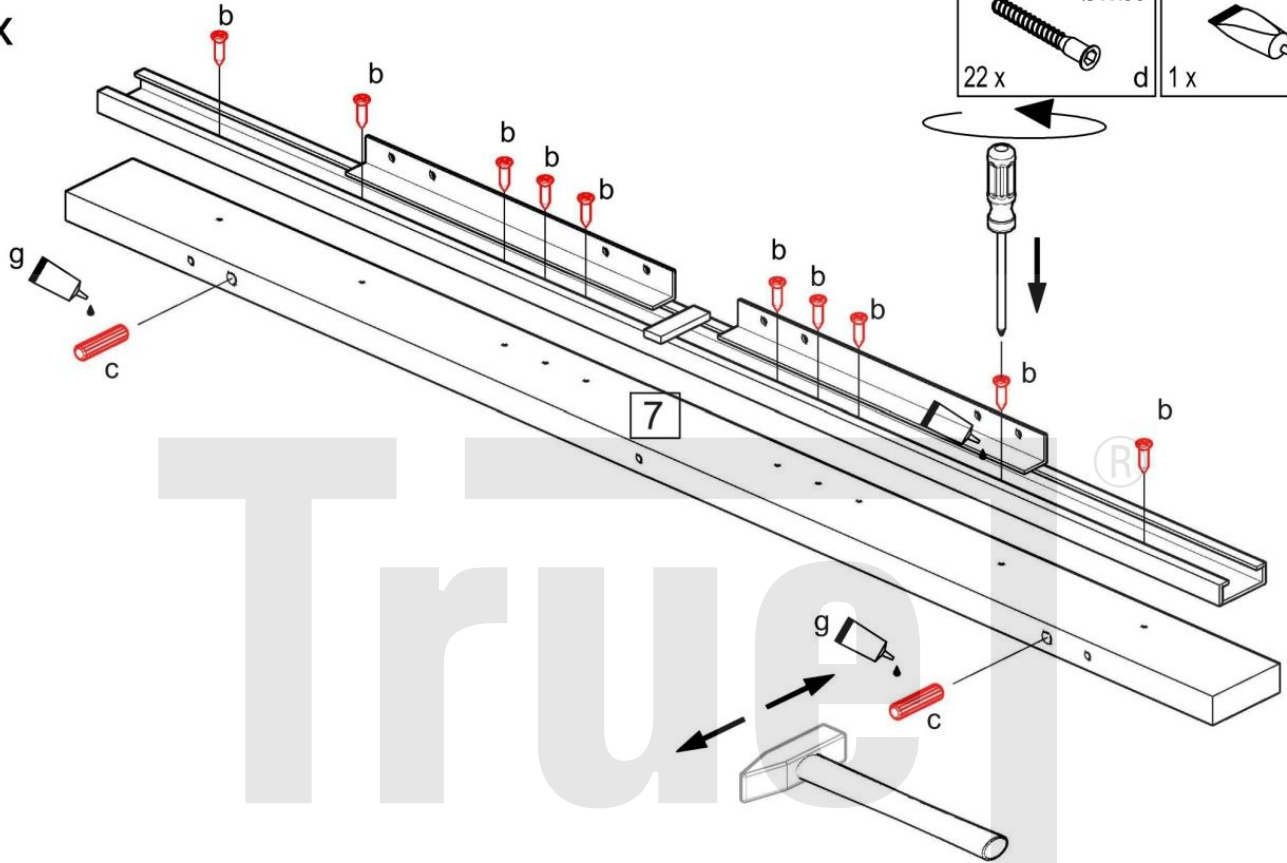


C EXEL



$\varnothing 8 \times 35$ 2 x c	4×20 10 x b
$\varnothing 7 \times 50$ 22 x d	 1 x g

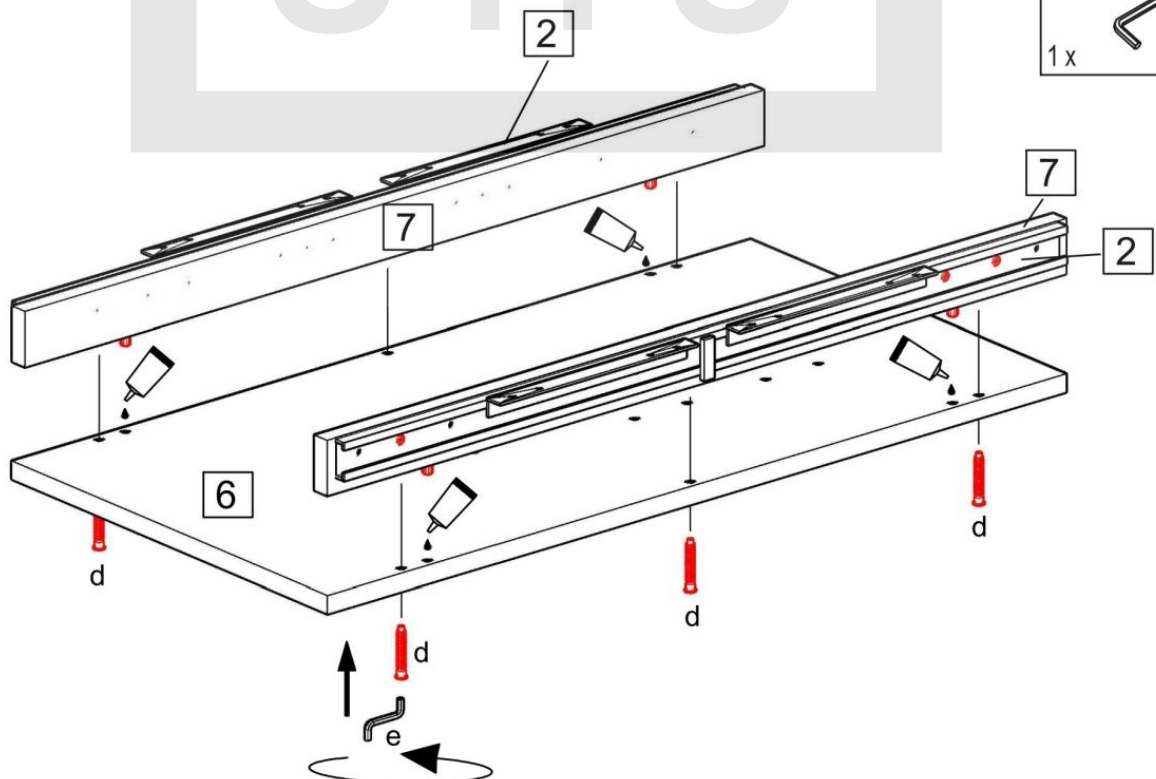
2 x



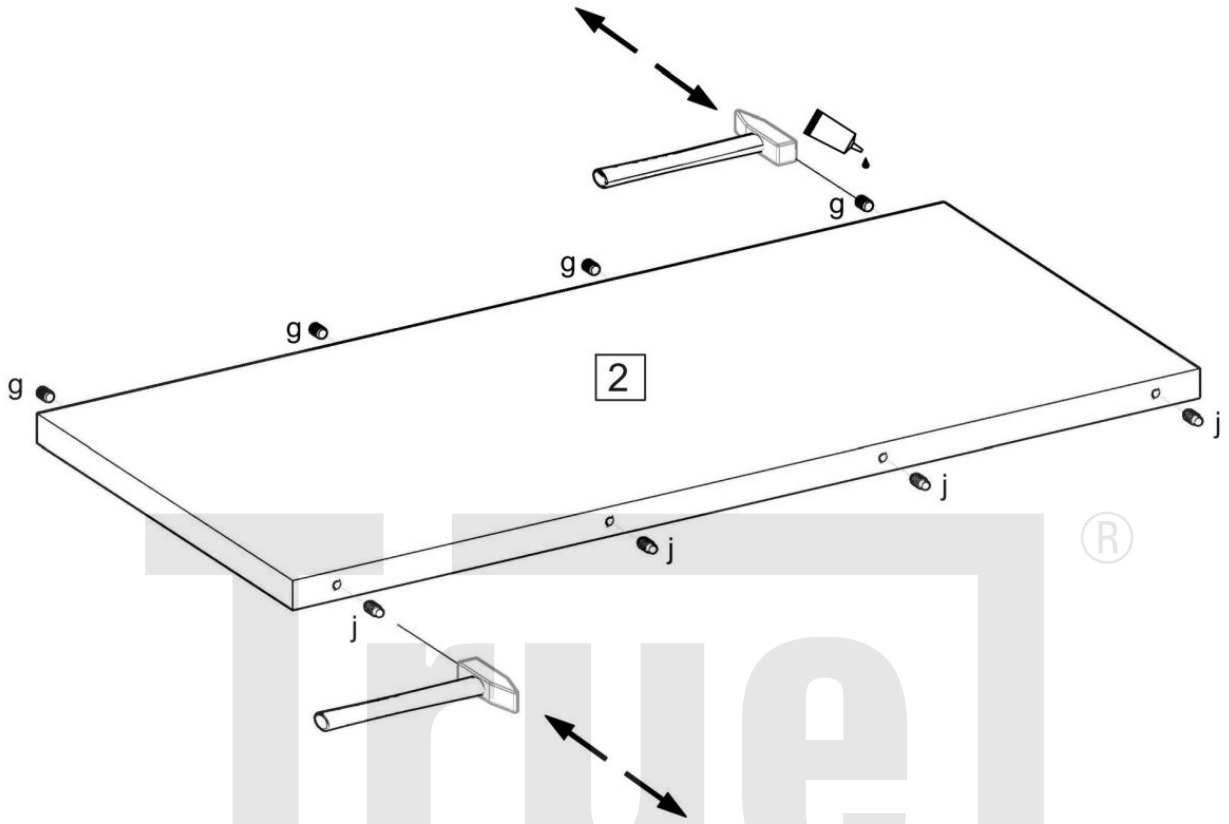
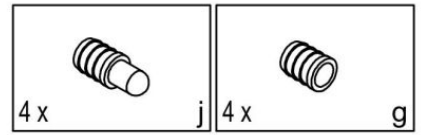
D



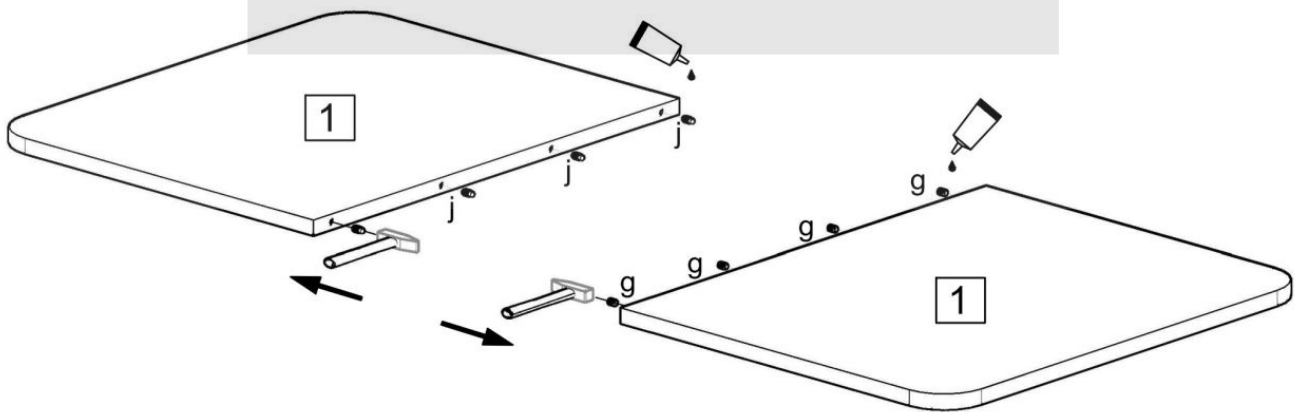
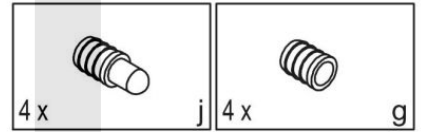
$\varnothing 7 \times 50$ 6 x d	 1 x g
 1 x e	



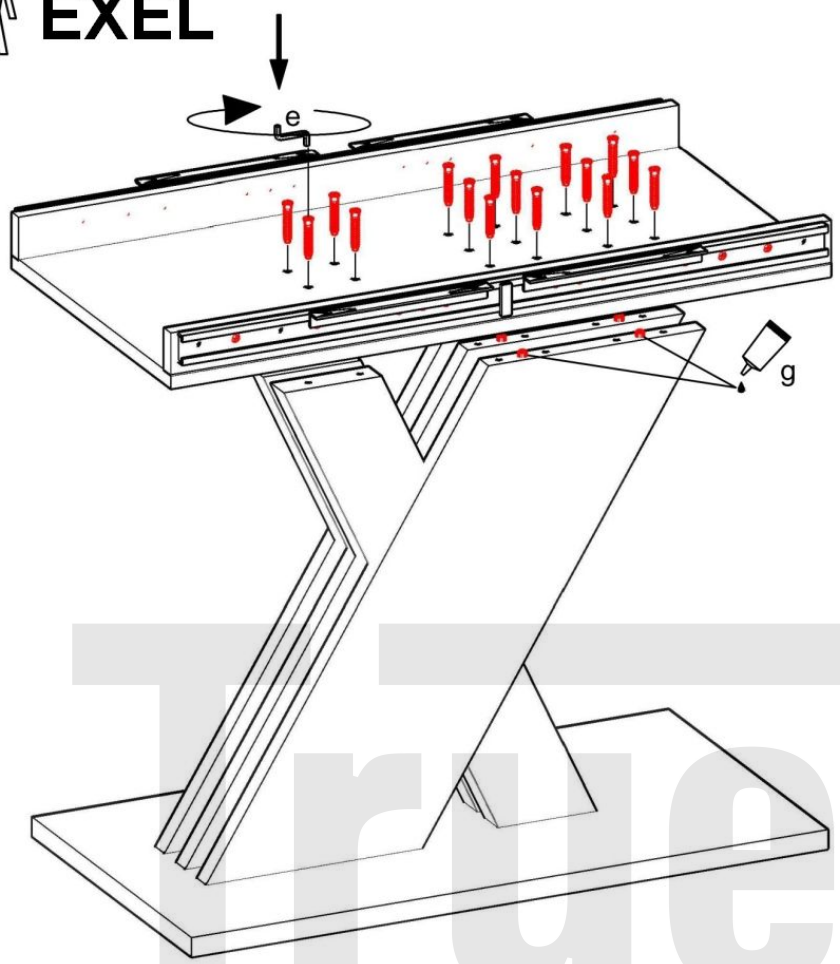
E  **EXEL**







F 




G  **EXEL**

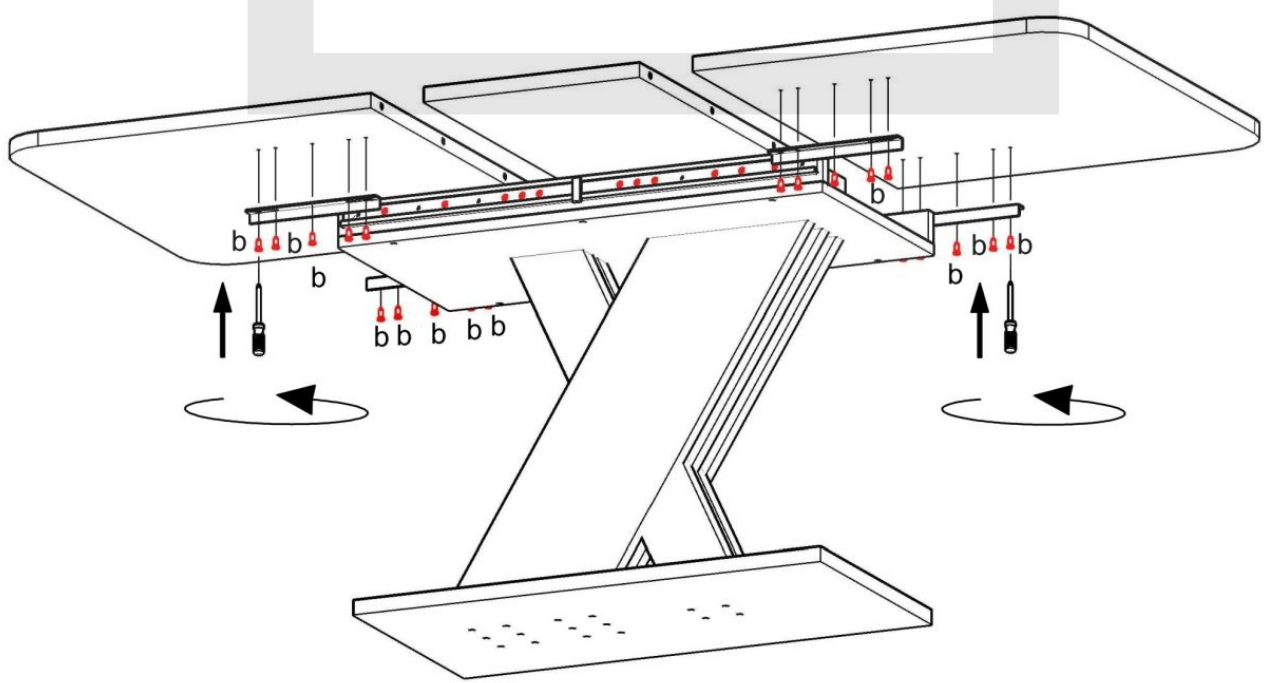


- 1 x  e
- 16 x  Ø7x50 d
- 1 x  g
- 16 x  D7 i

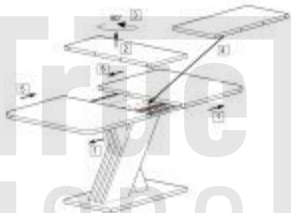


H 

- 4x20  b
- 20 x



K  EXEL



®

EXEL



®

