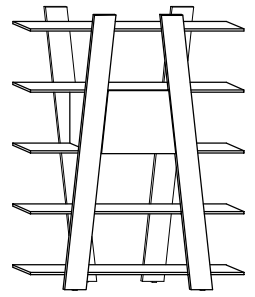


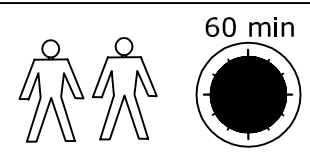


VIA-08 REGAŁ 150-2D

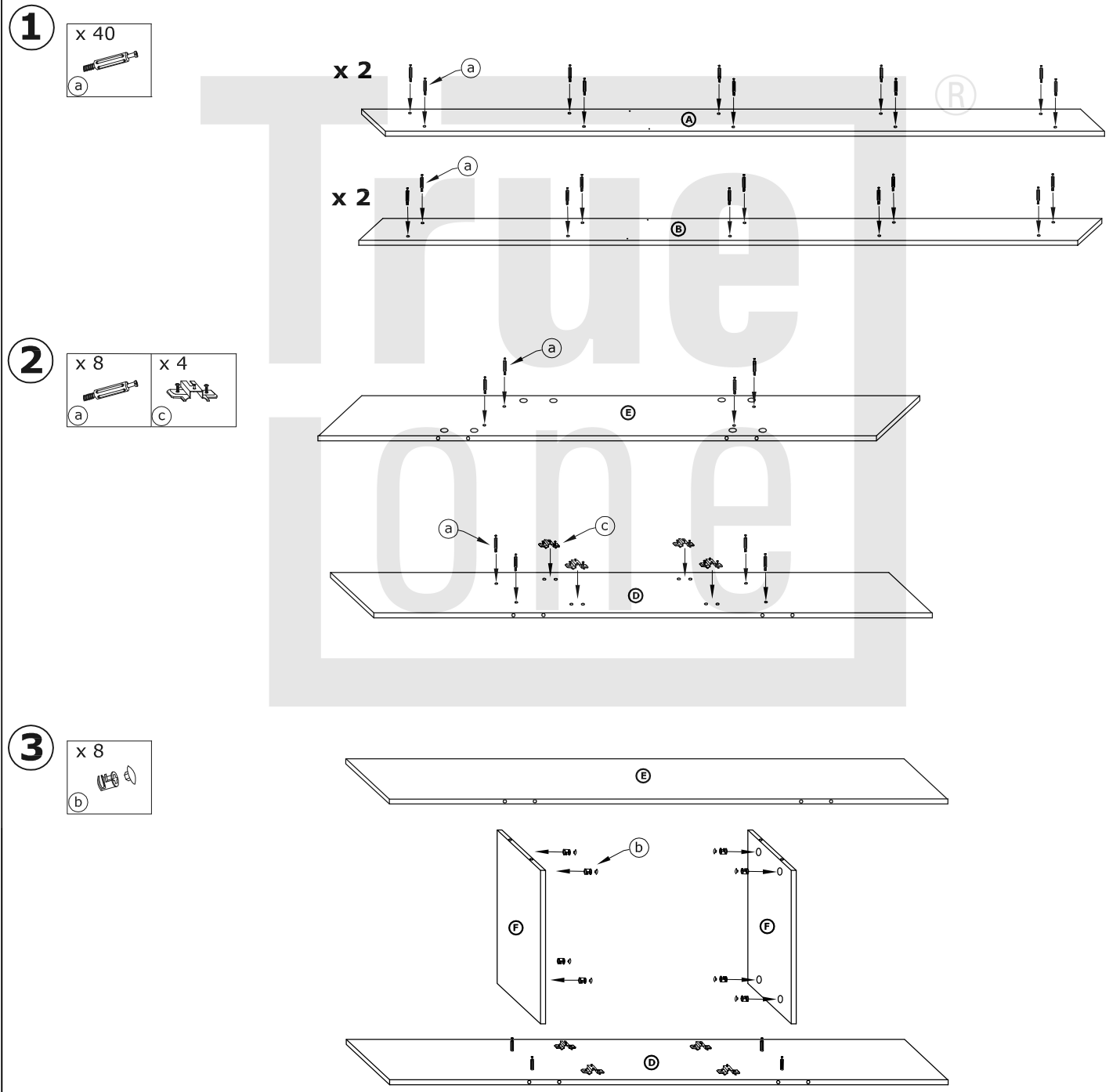
→ 150 × 193 × 29



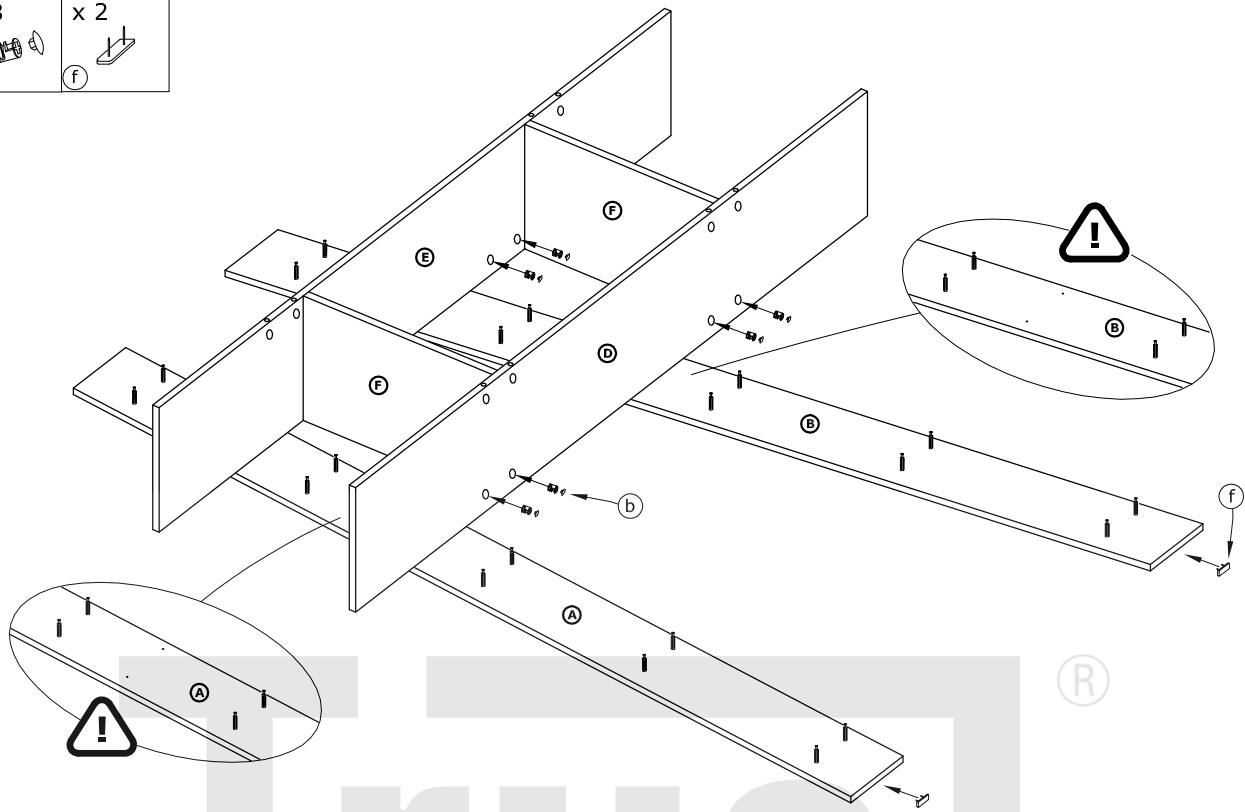
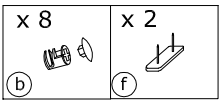
| | | | | | |
|---------------------------|--------------------------|--------------------------|----------------------|--------------|--------------|
| x 48 a | x 48 b | x 4 c | x 4 d | x 5 e | x 4 f |
| x 13 (3,5x16) g | x 1 (120 mm) h | x 2 (390 mm) i | Drill and screws | | |



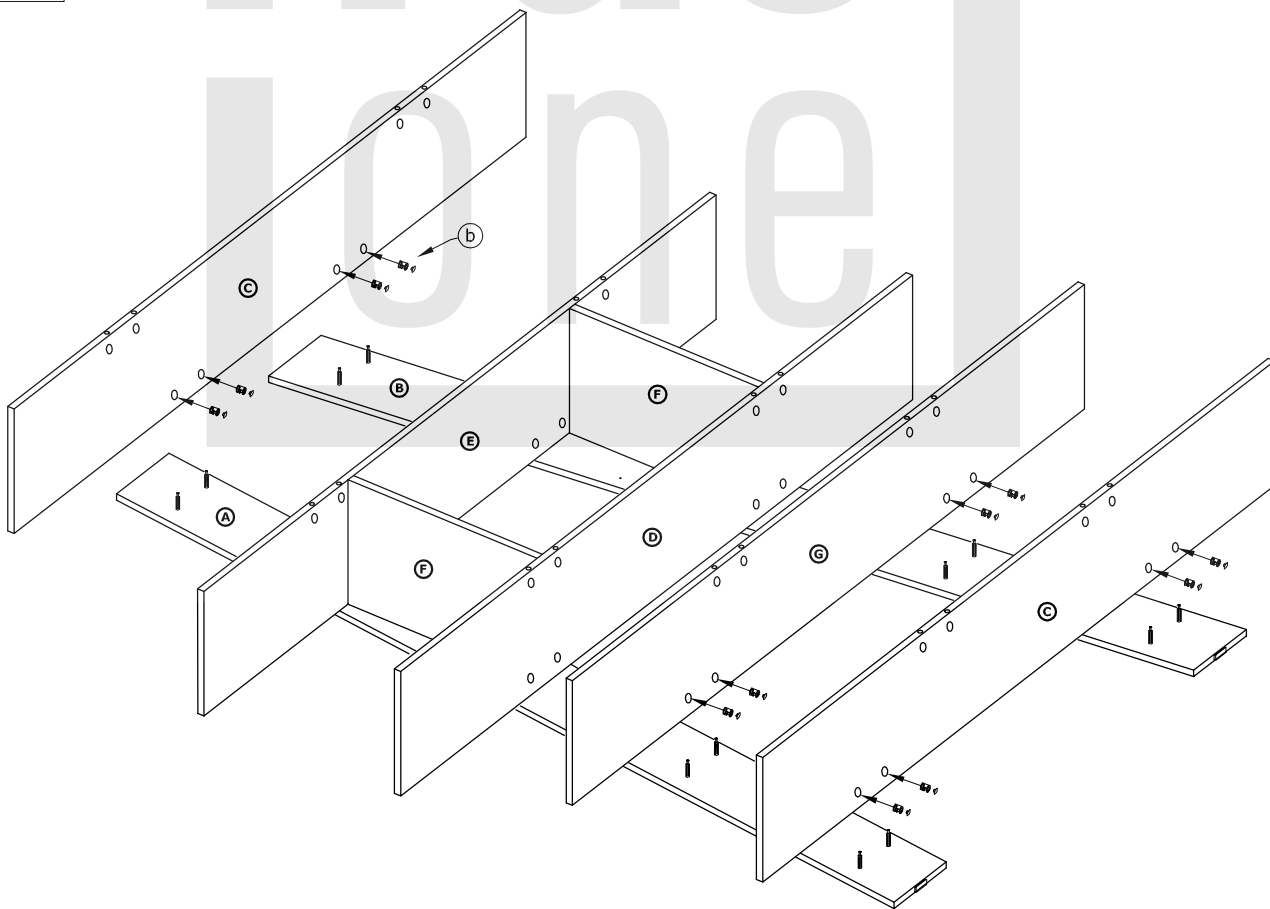
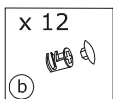
1 - FAZY MONTAŻU **A** - OZNACZENIE ELEMENTÓW **a** - OZNACZENIE AKCESORIÓW



4

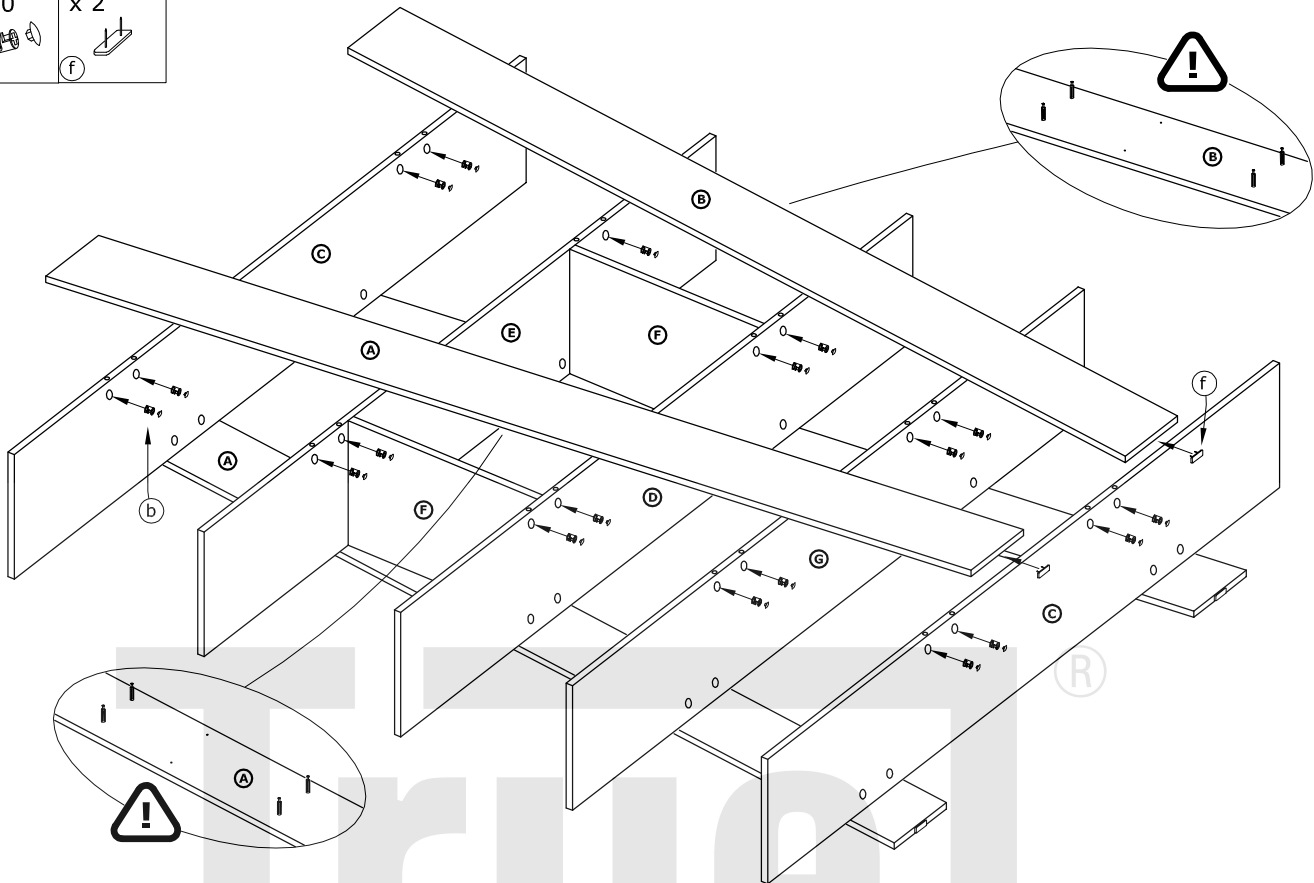


5



6

- | | |
|------|-----|
| x 20 | x 2 |
| | |



7

- | | |
|------|-----|
| x 4 | x 5 |
| | |
| x 13 | x 1 |
| | |
| x 2 | |
| | |

