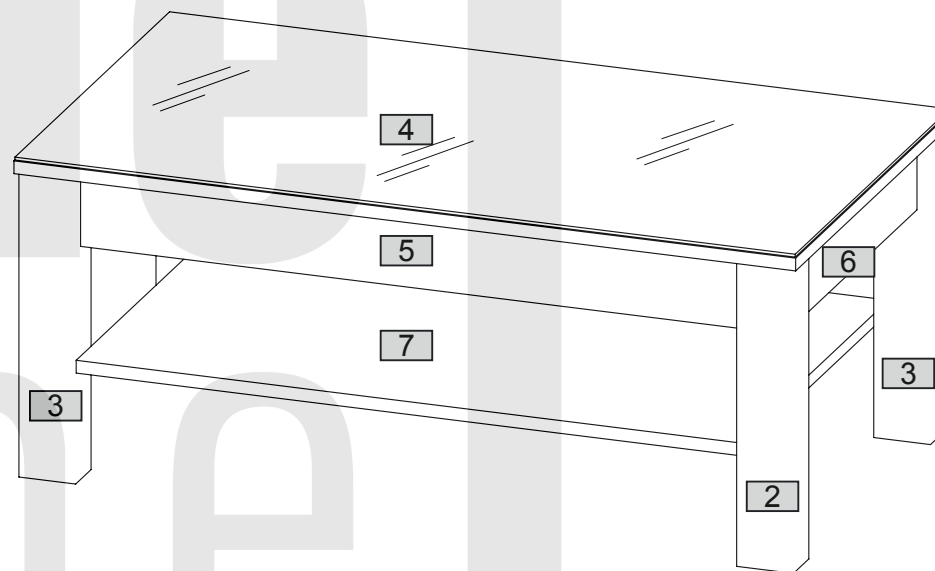
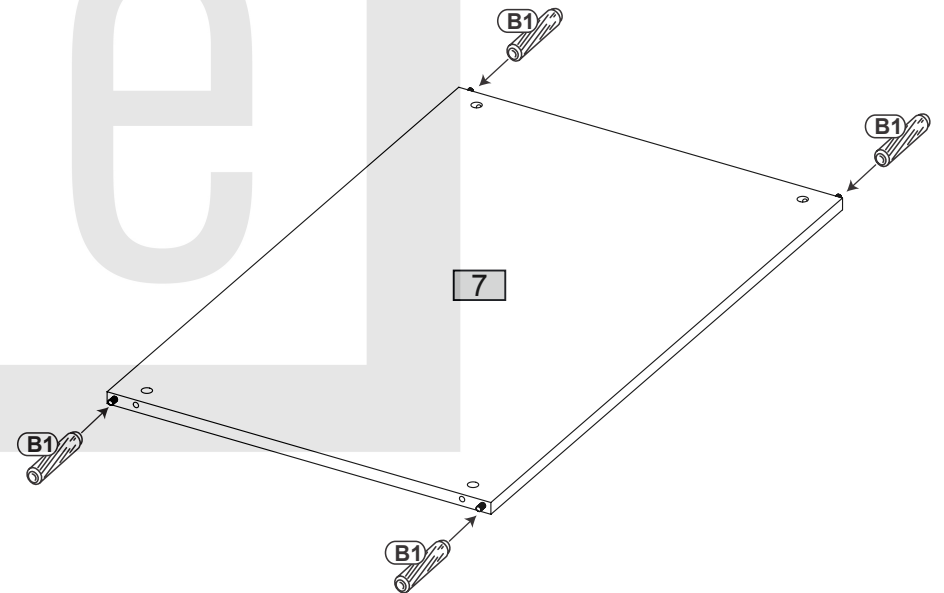
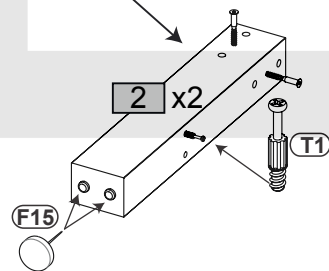
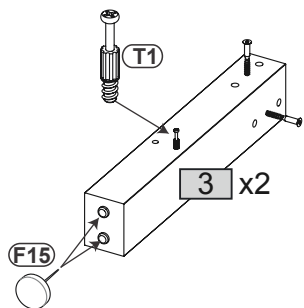
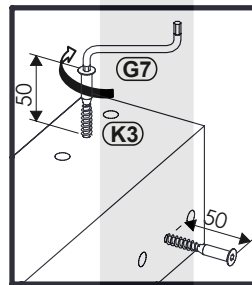
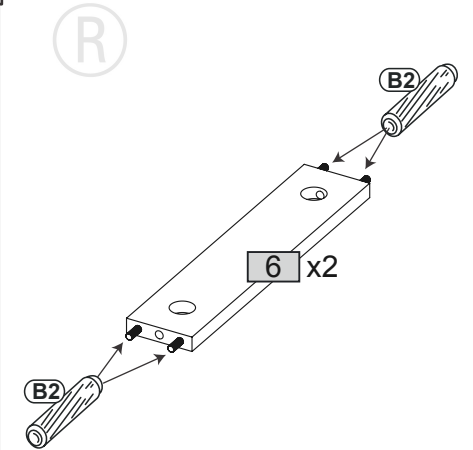
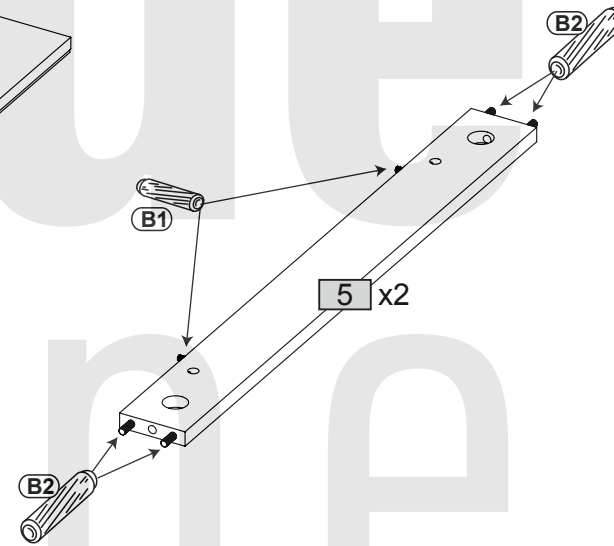
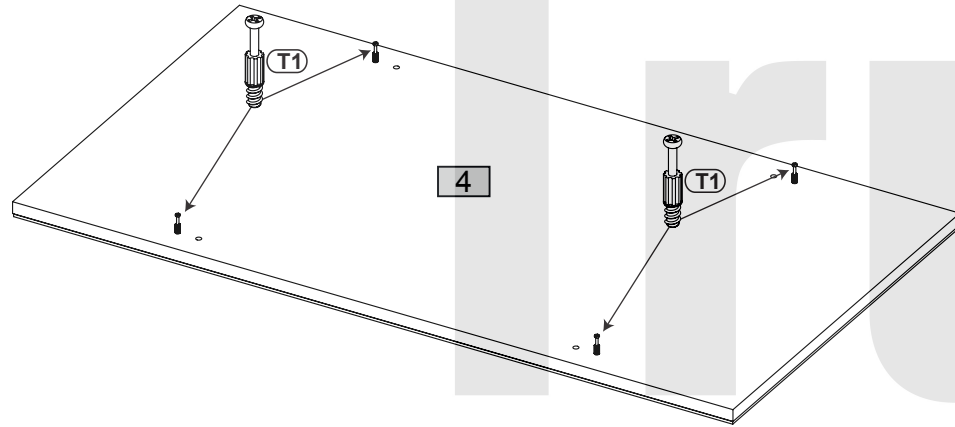
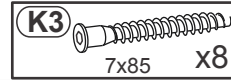
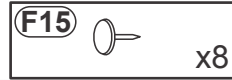
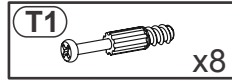
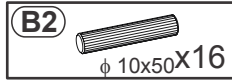
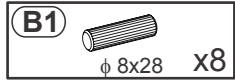


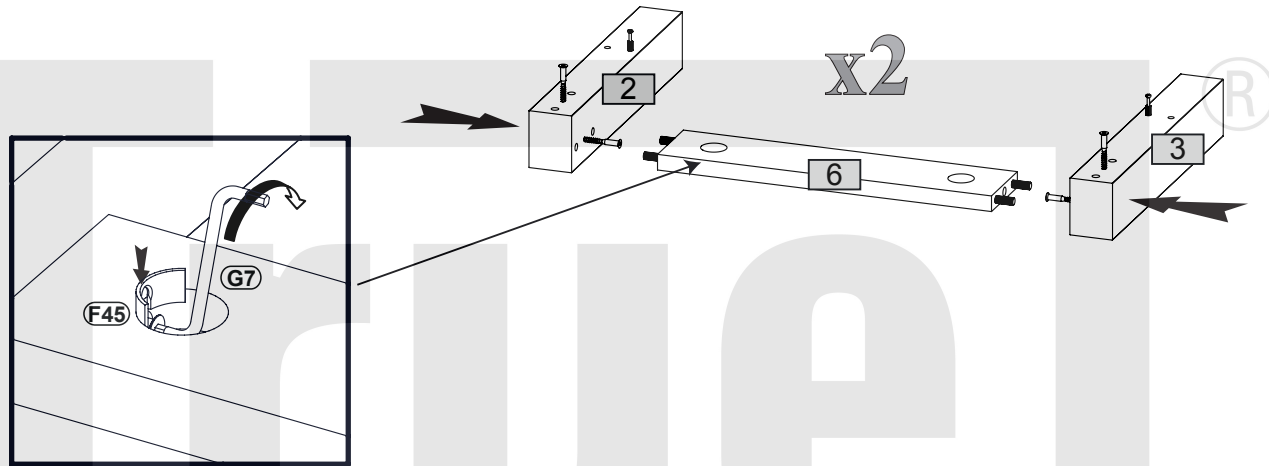
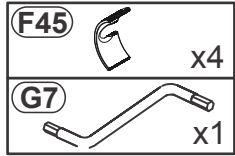
| Nr | Ausmaß |     |    | St |
|----|--------|-----|----|----|
| 2  | 428    | 80  | 60 | 2  |
| 3  | 428    | 80  | 60 | 2  |
| 4  | 1100   | 600 | 23 | 1  |
| 5  | 930    | 100 | 22 | 2  |
| 6  | 470    | 100 | 22 | 2  |
| 7  | 930    | 586 | 18 | 1  |



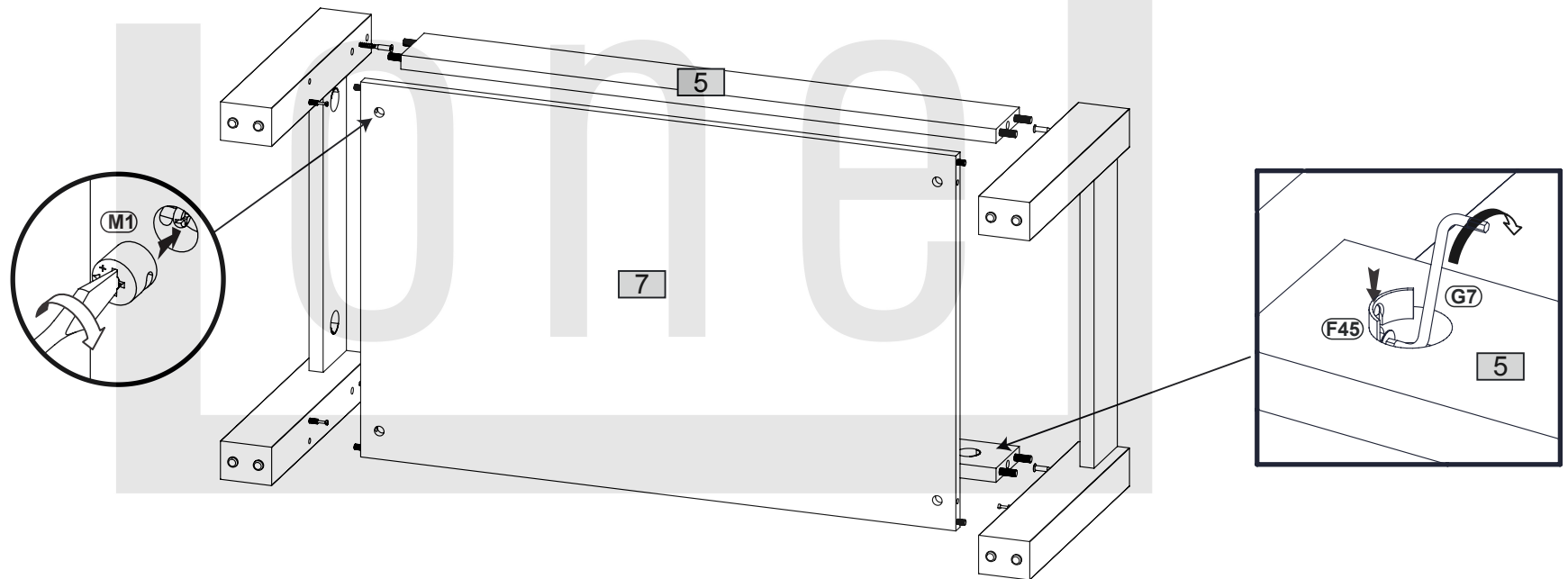
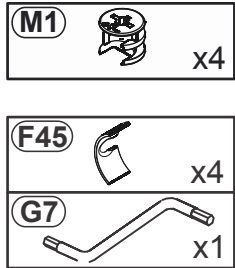
1



2



3



4

