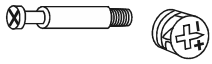



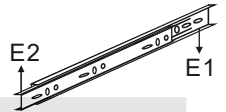
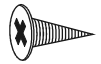
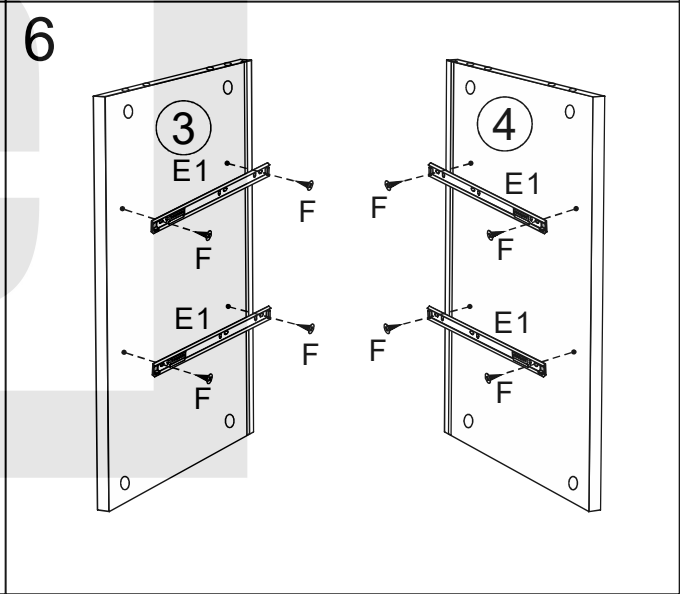
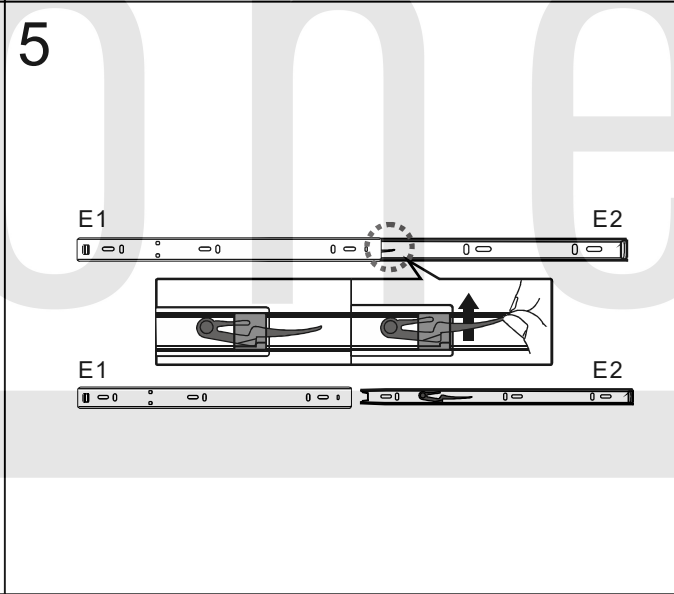
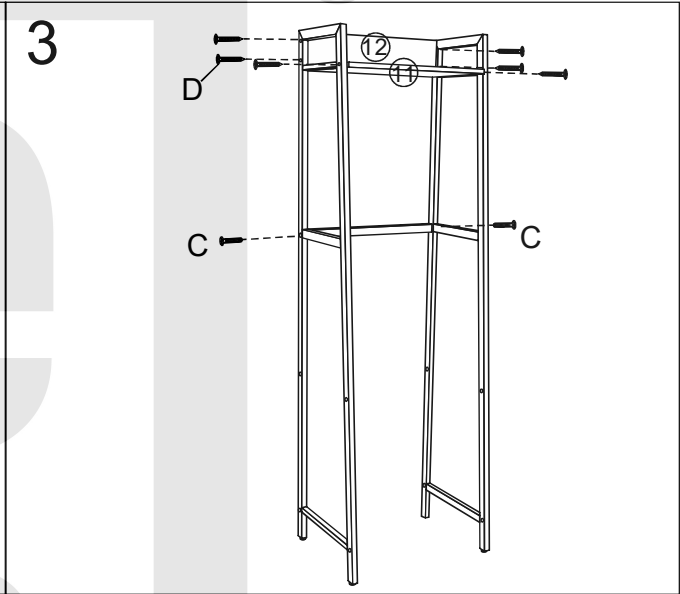
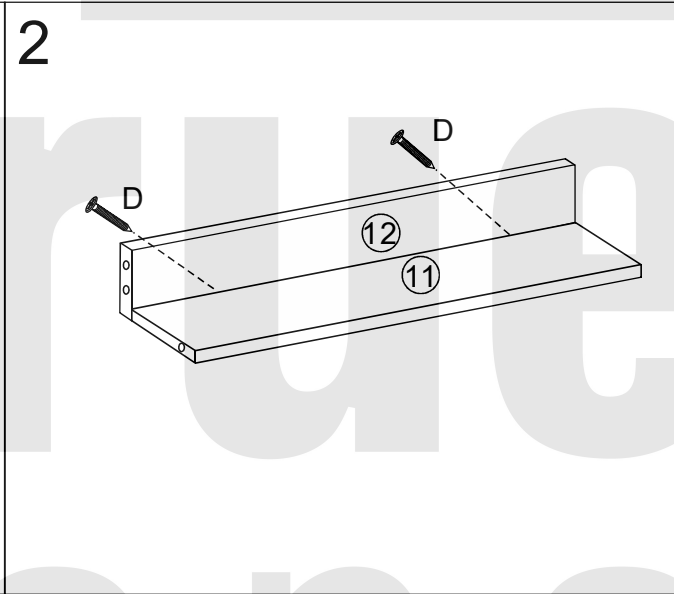
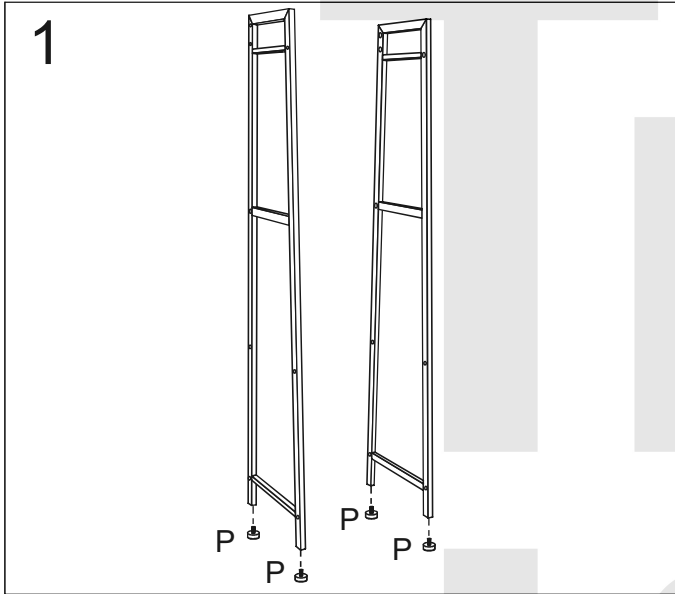
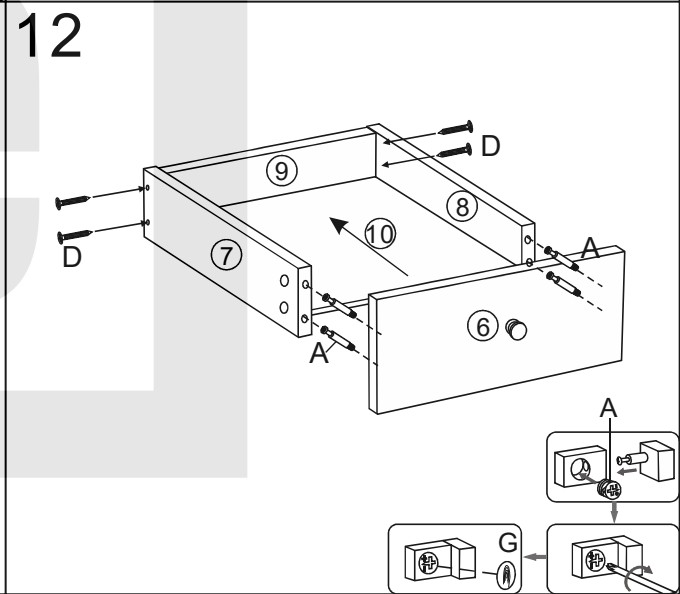
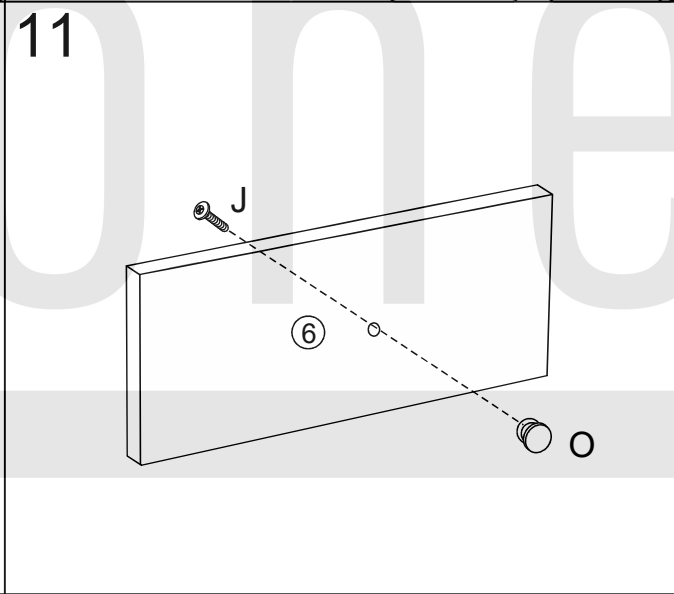
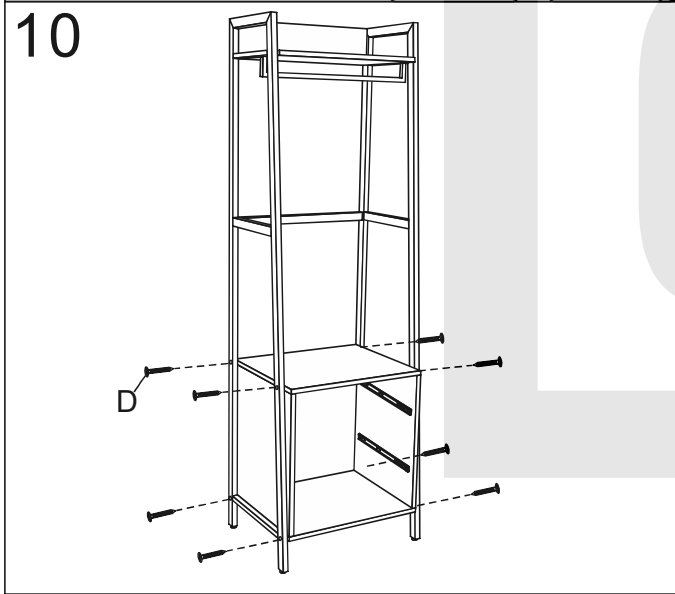
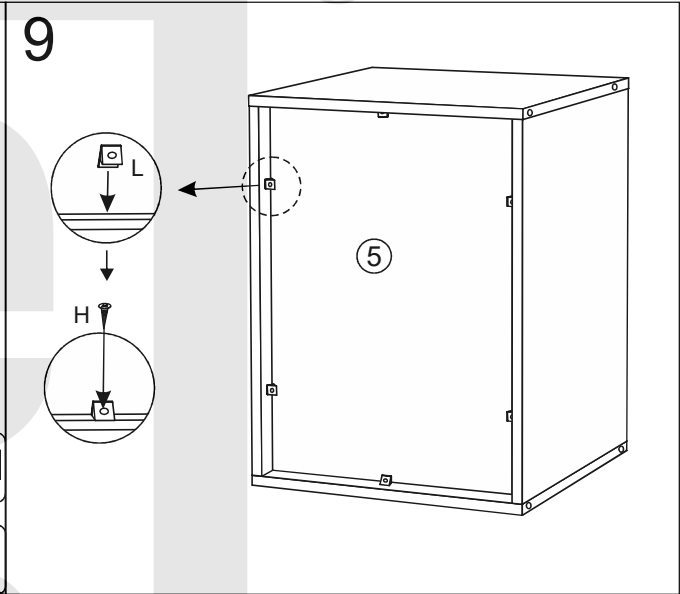
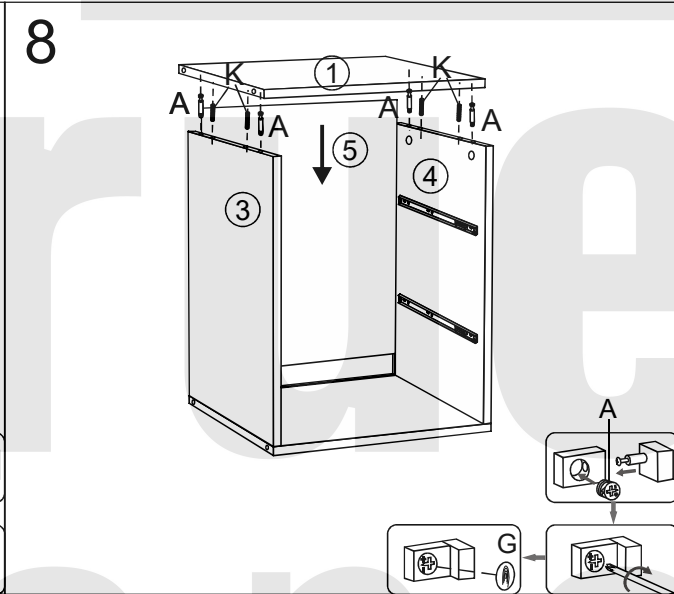
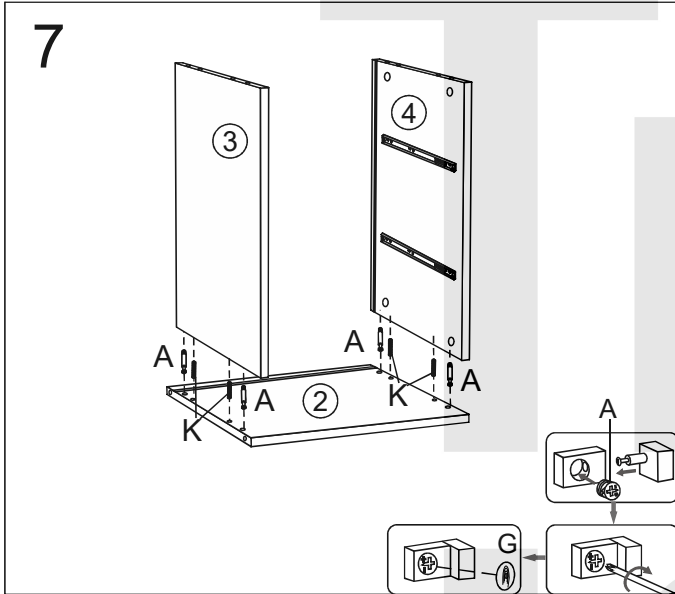
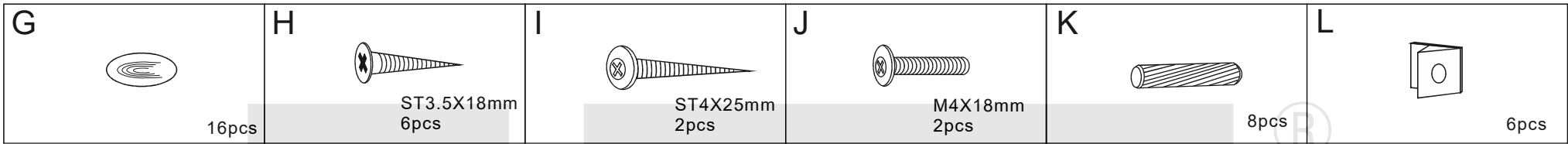
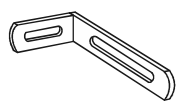
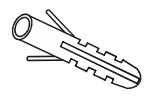
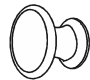
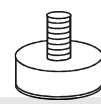


<p>A</p>  <p>16pcs</p>	<p>B</p>  <p>M6X25mm 2pcs</p>	<p>C</p>  <p>M6X30mm 2pcs</p>	<p>D</p>  <p>ST5X50mm 24pcs</p>	<p>E</p>  <p>E2 E1</p> <p>4pcs</p>	<p>F</p>  <p>ST3.5X12mm 20pcs</p>
--	---	--	---	--	---





<p>M</p>  <p>2pcs</p>	<p>N</p>  <p>2pcs</p>	<p>O</p>  <p>2pcs</p>	<p>P</p>  <p>4pcs</p>	
---	---	---	---	--

