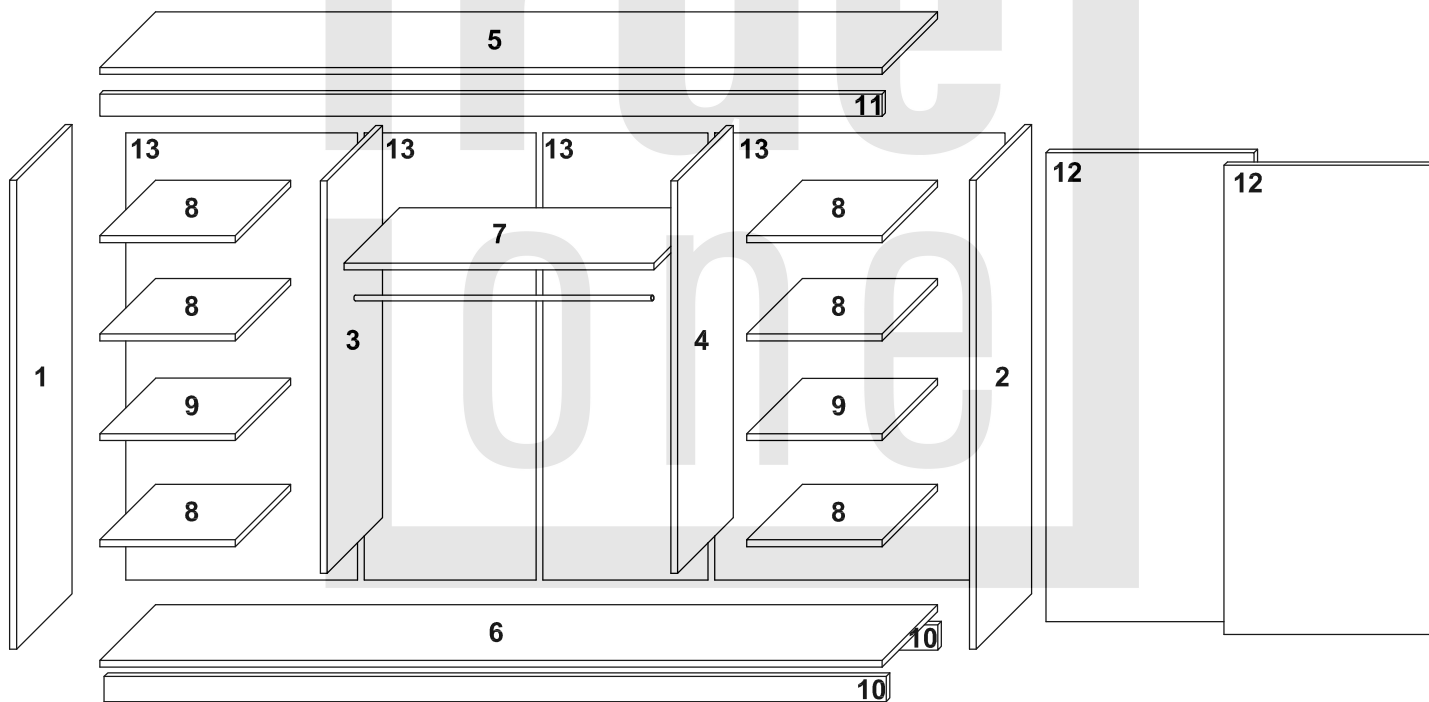
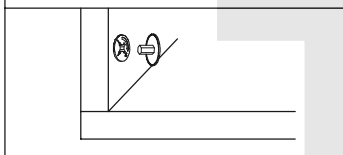
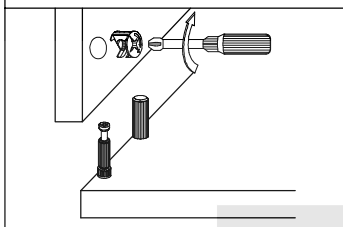
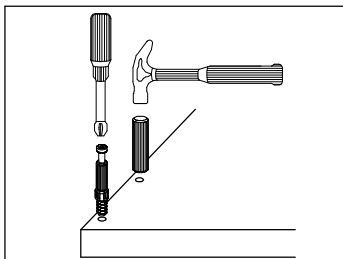
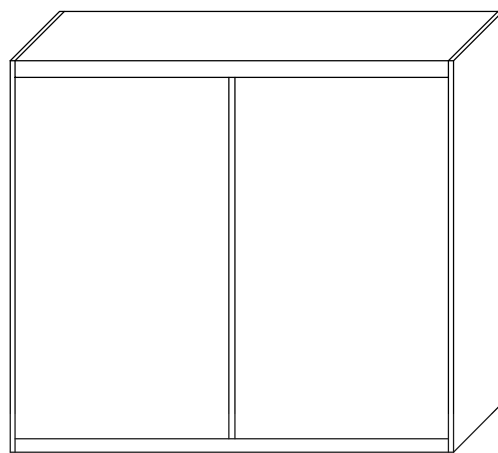
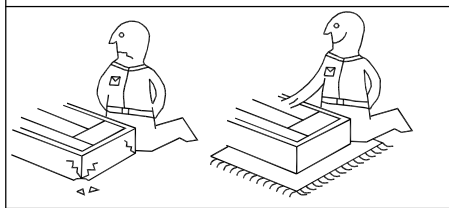
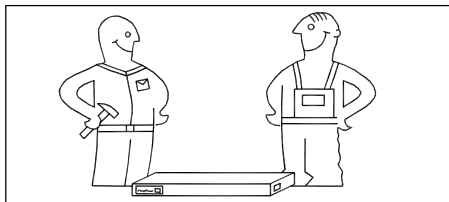
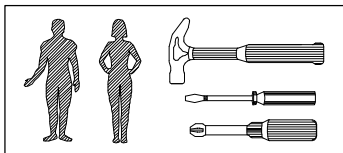
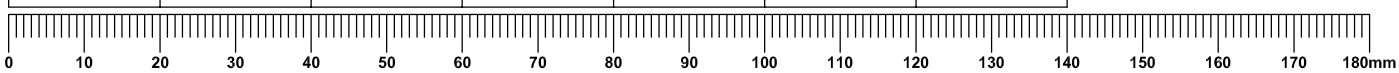


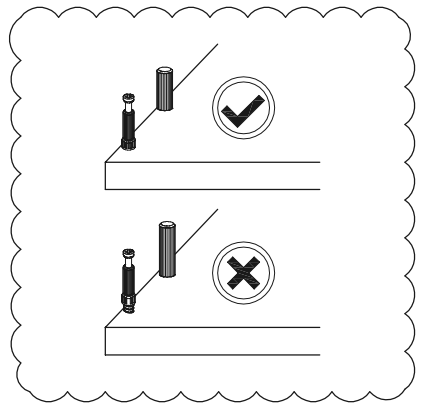
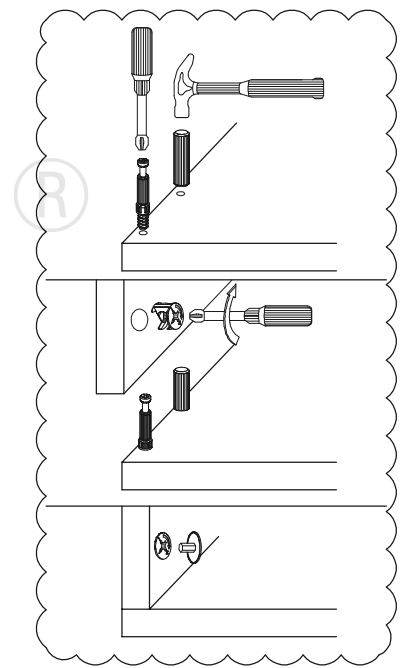
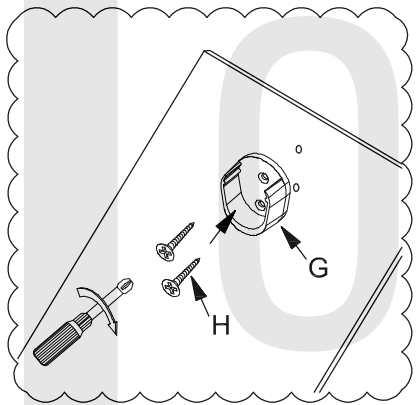
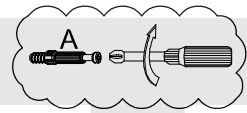
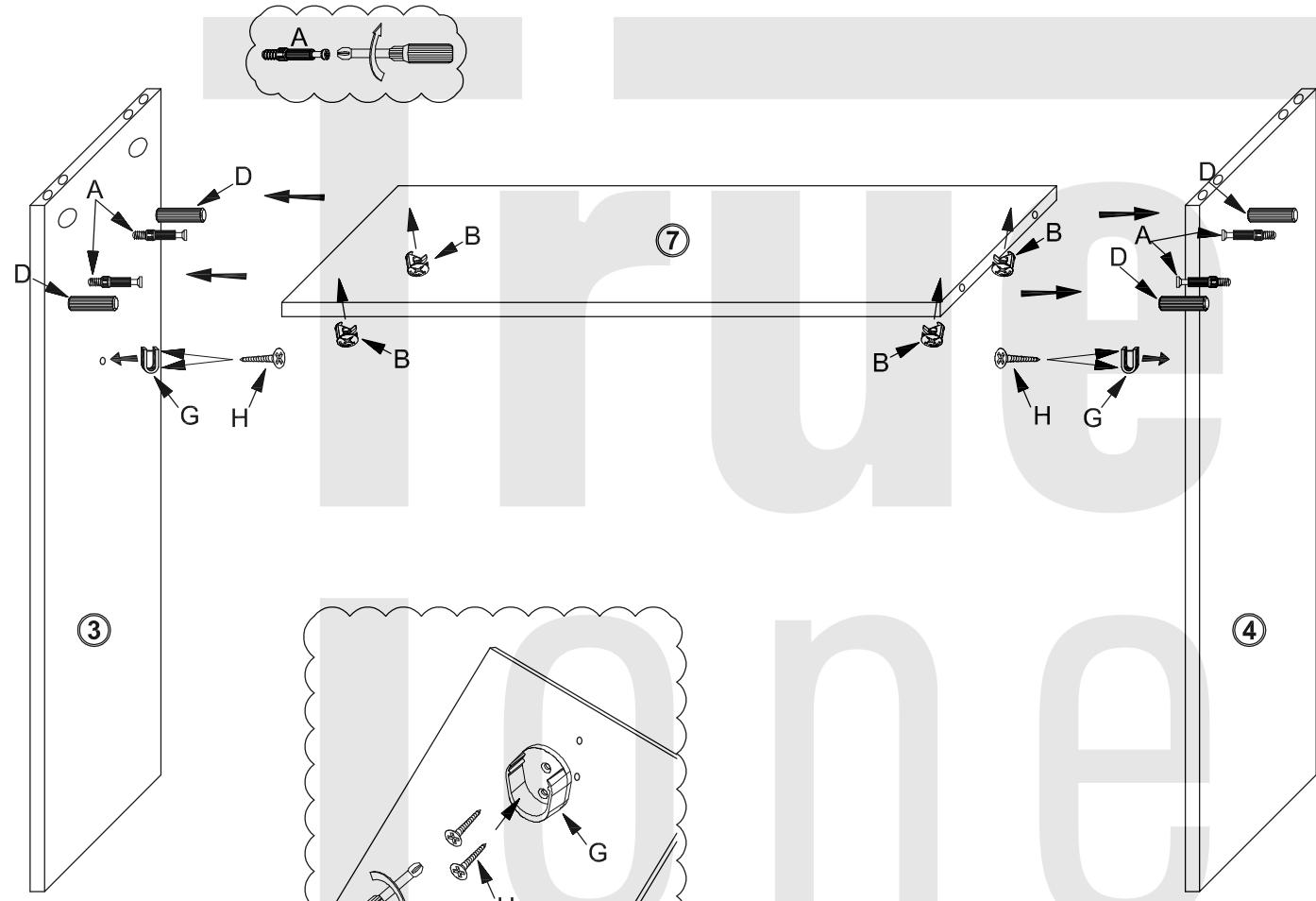
SZAFKA 200



| | | | | | | |
|------------------|---------------|---------------|---------------|---------------|---------------|--------------|
| | | | | | | |
| 33 A | 33 B | 33 C | 38 D | 24 E | 14 F | |
| | | | | | | |
| 2 kpl N | 2 G | 1 I | W4x30 | I L | I M | I N |



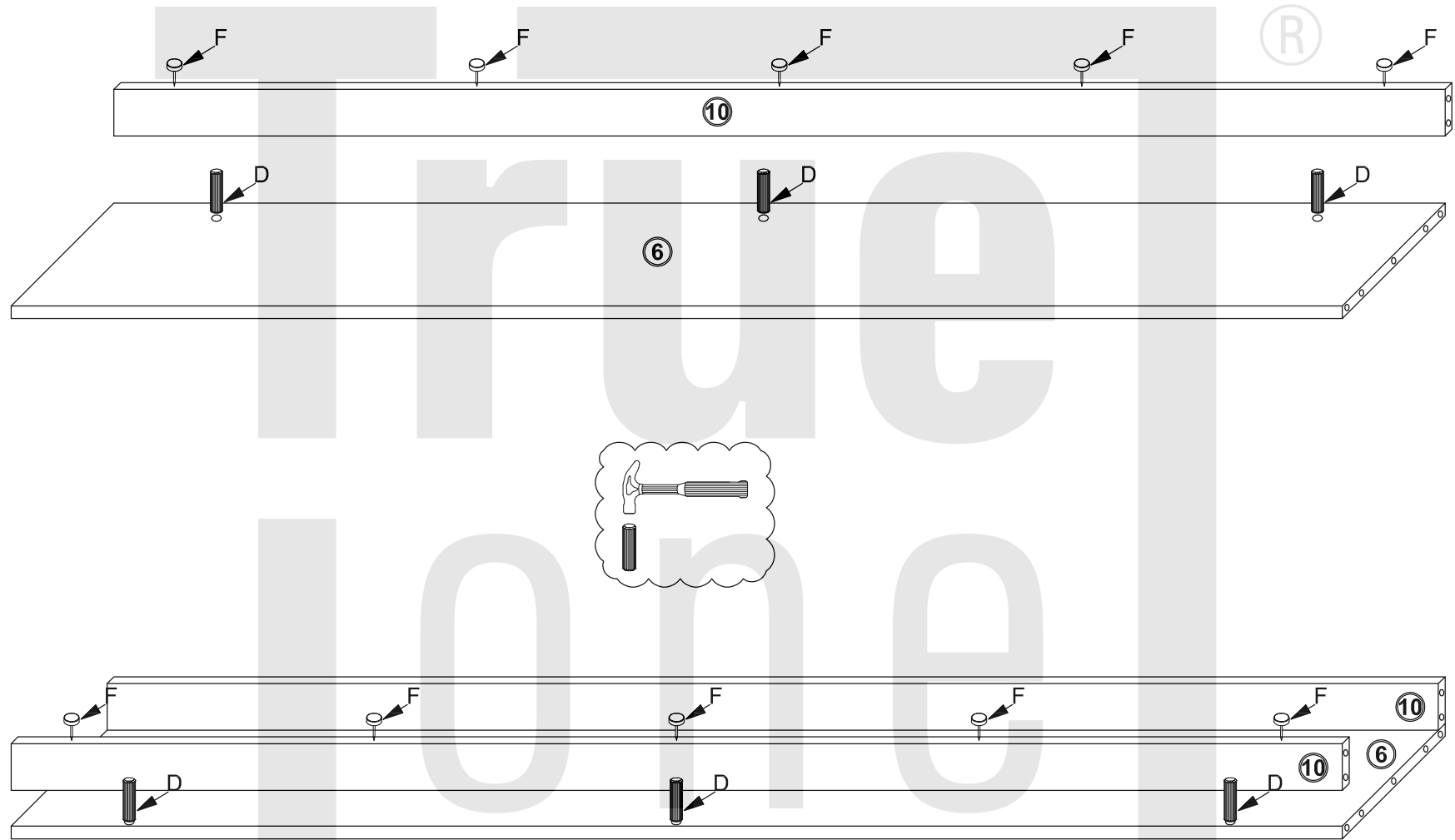
1





| | | | | | |
|-------|-------|-------|-------|-------|-------|
| | | | | | |
| 4 A | 4 B | 4 C | 4 D | 2 G | 4 H |



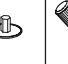

W3,5x13

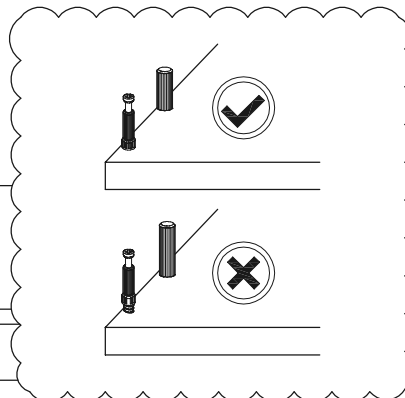
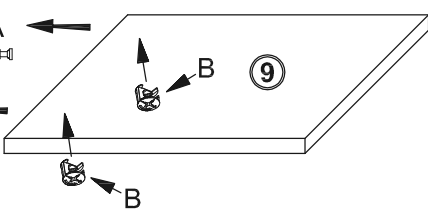
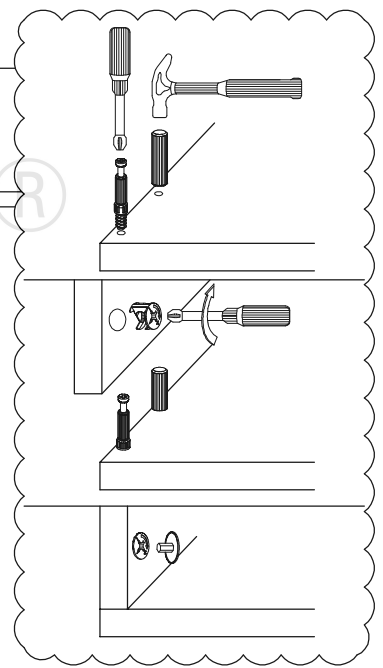
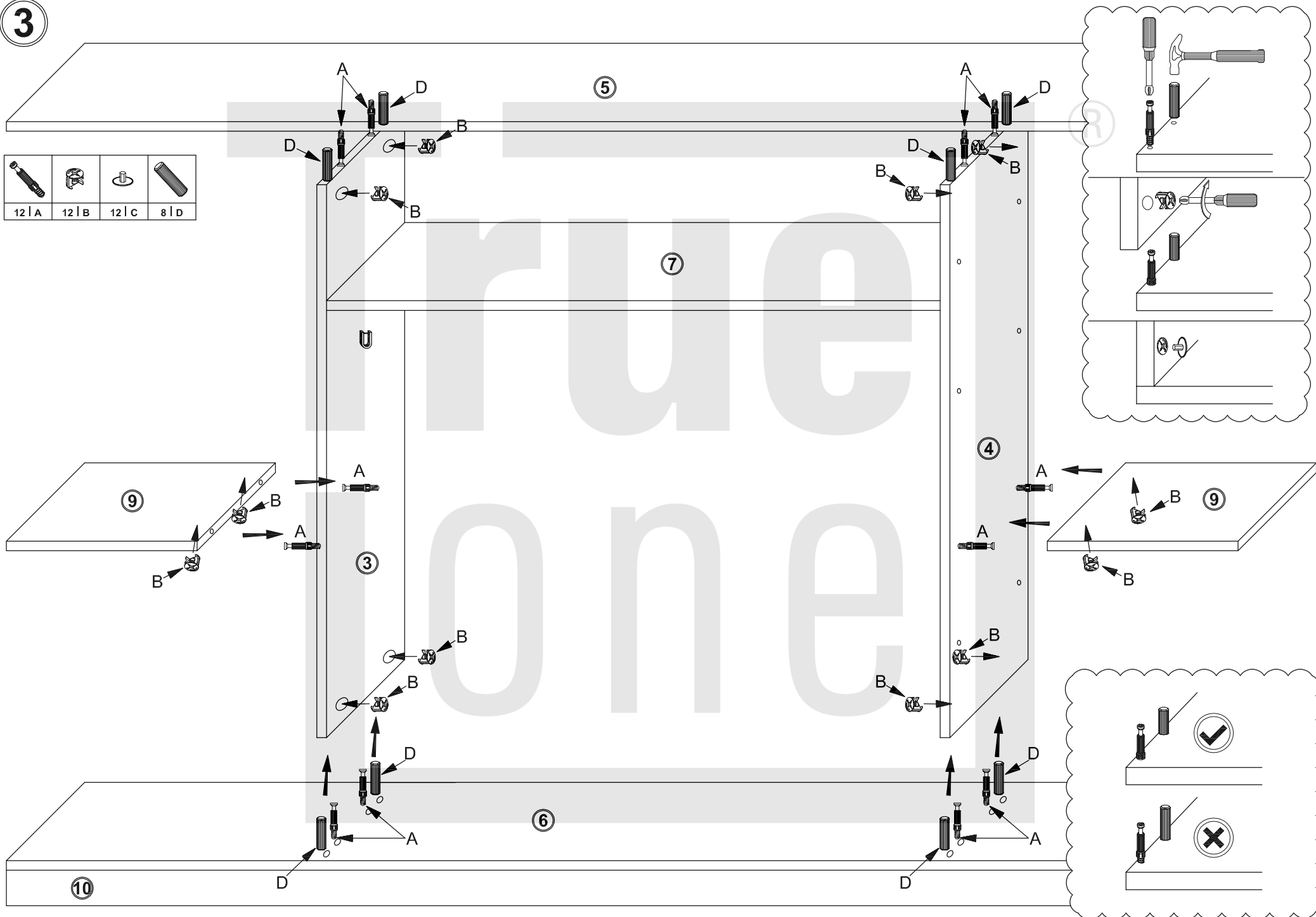
2



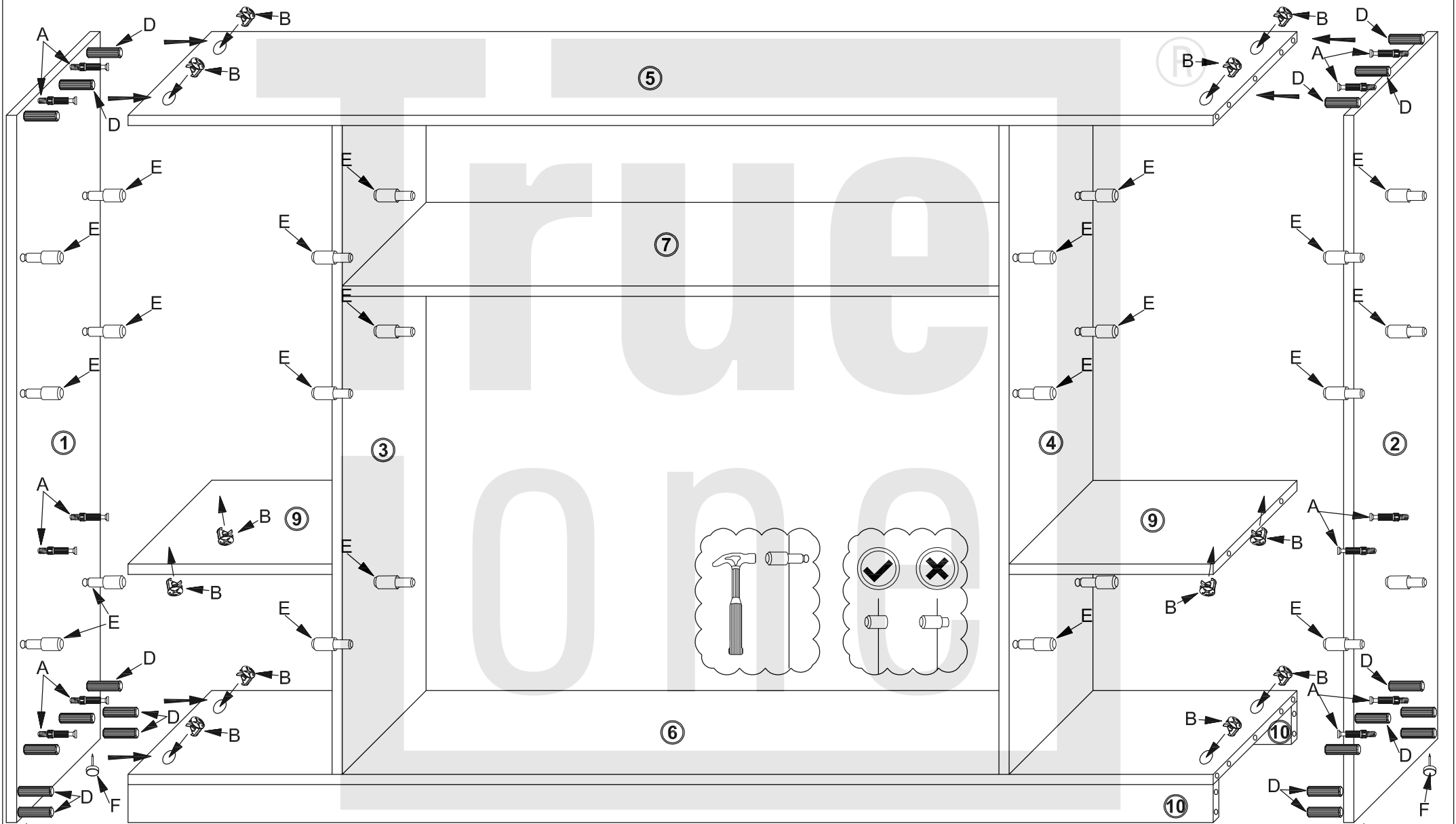
| | |
|--|---|
|  |  |
| 6 D | 10 F |

3

| | | | |
|--|---|---|---|
|  |  |  |  |
| 12 A | 12 B | 12 C | 8 D |



4

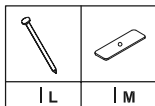
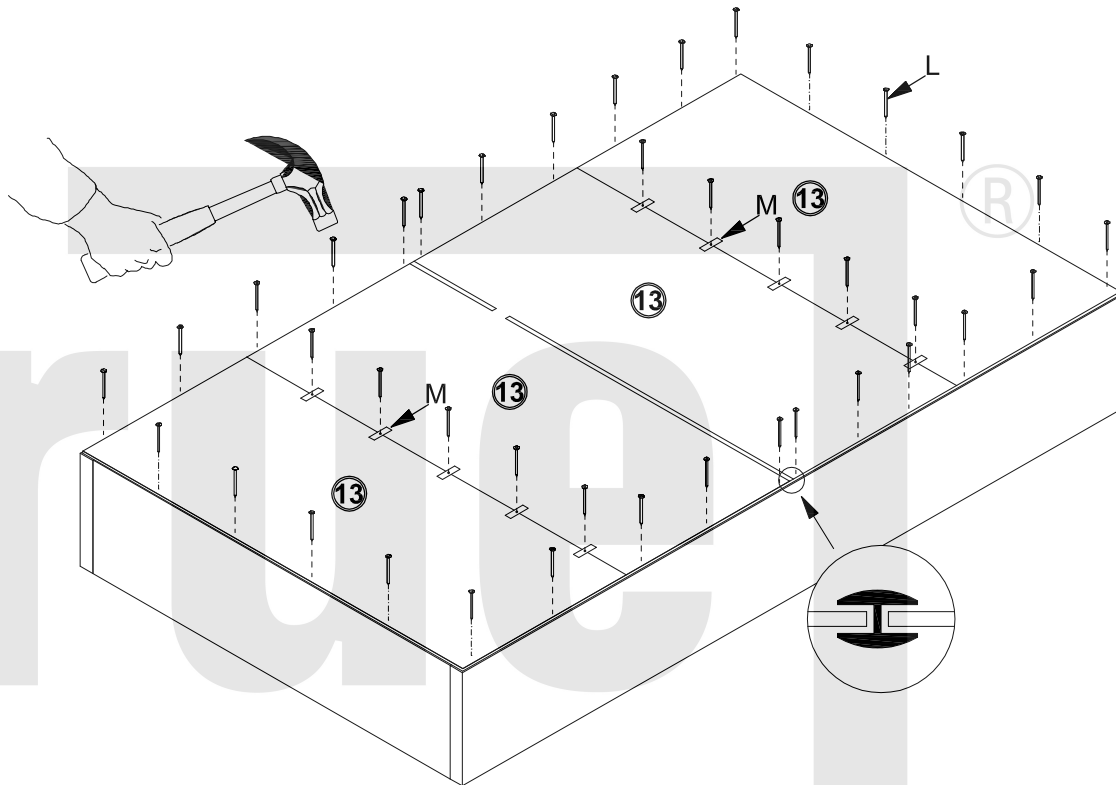
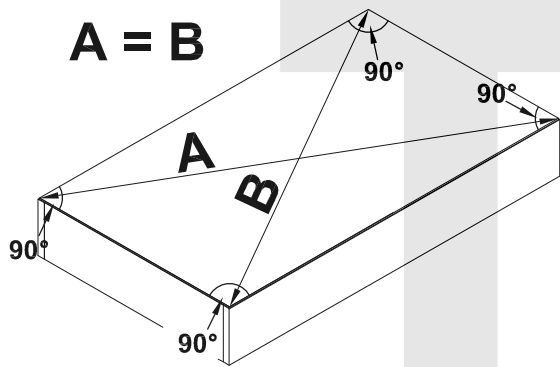


| | | | | | |
|--------|--------|--------|--------|--------|-------|
| | | | | | |
| 12 A | 12 B | 12 C | 20 D | 24 E | 4 F |

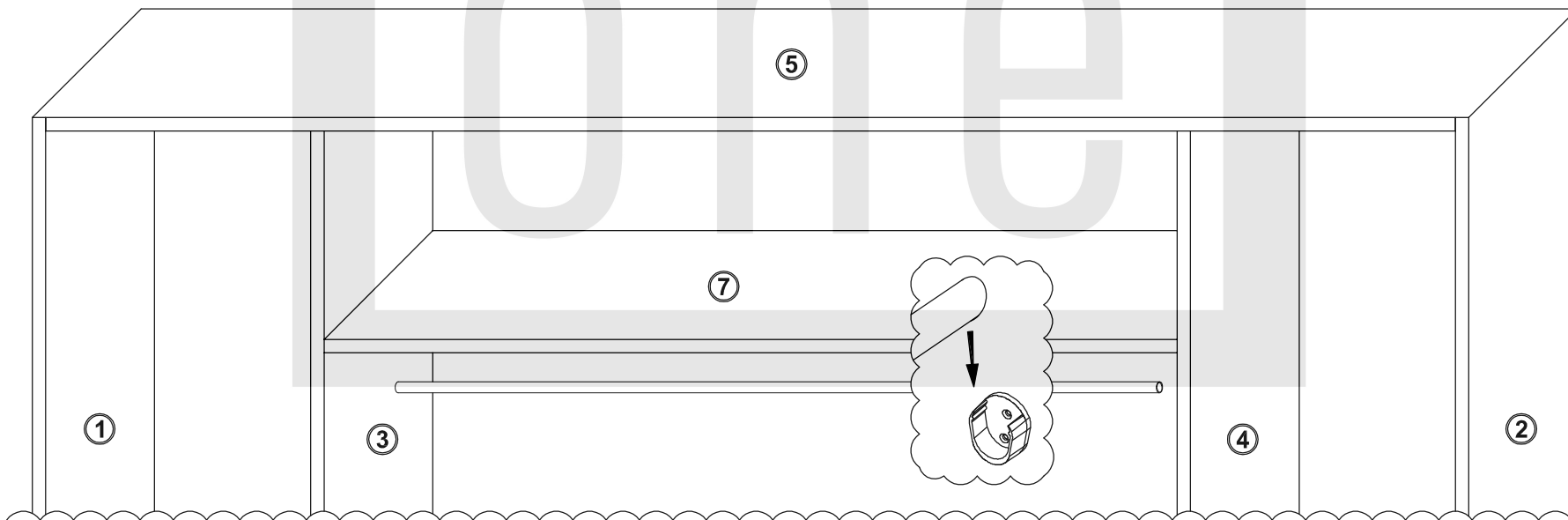
5

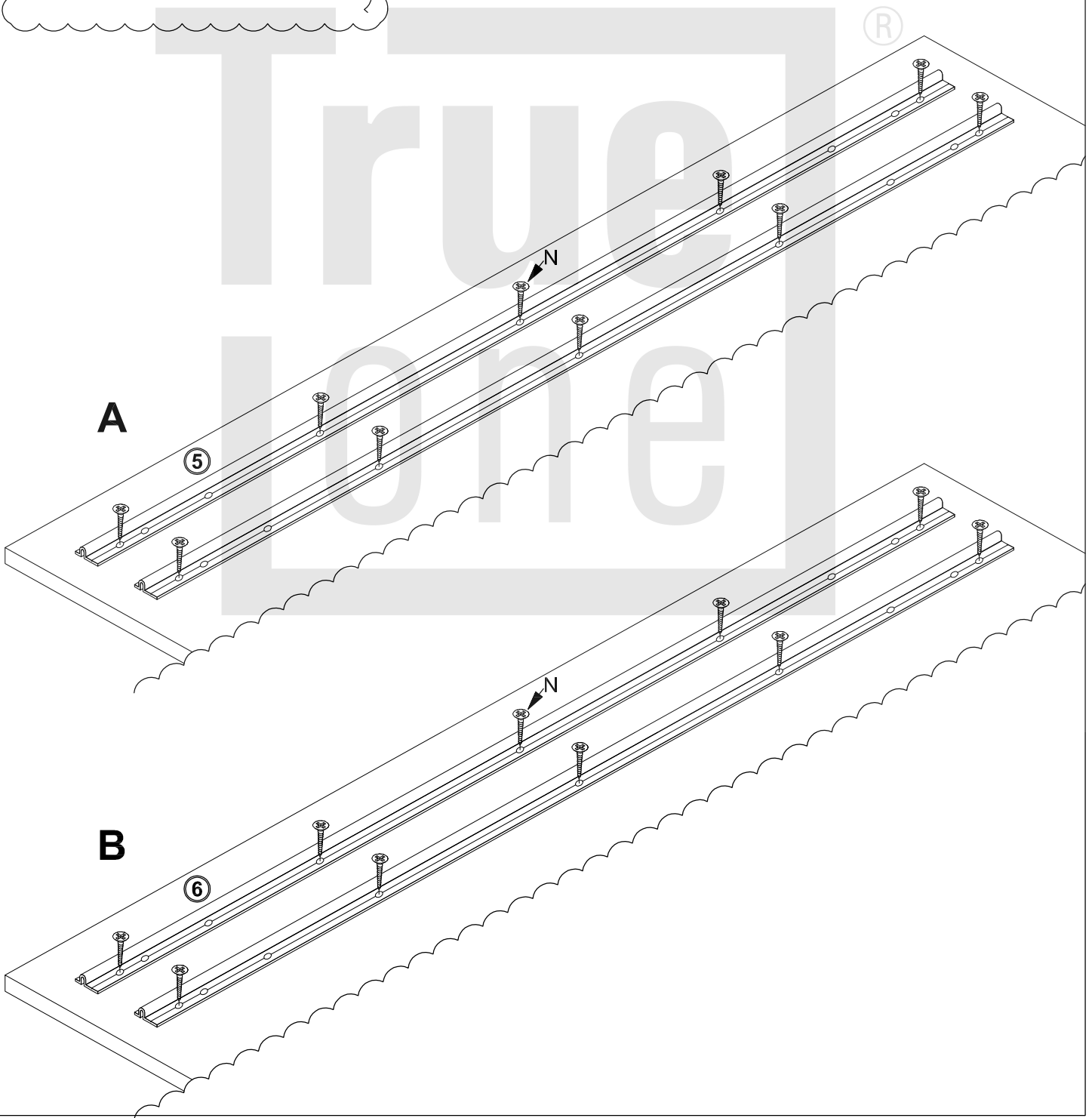
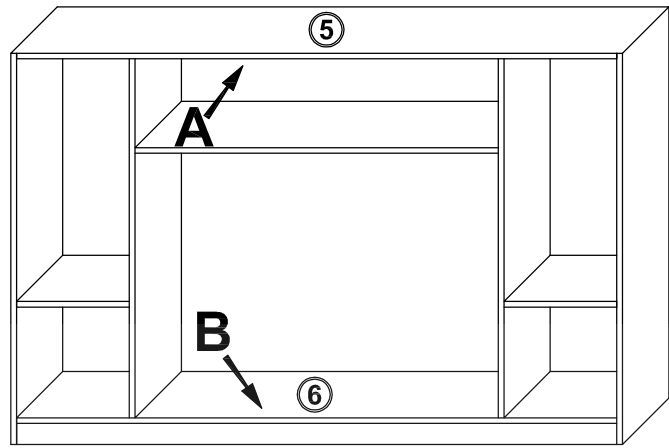
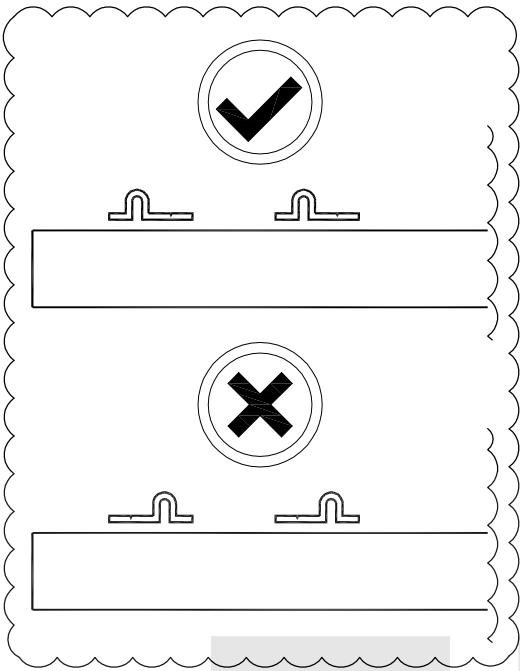


A = B



6



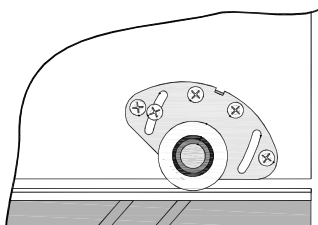
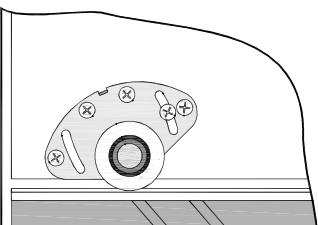
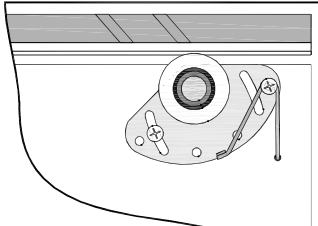
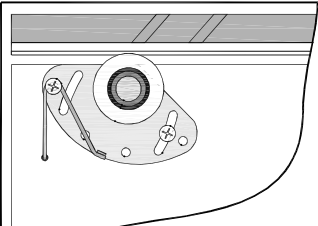
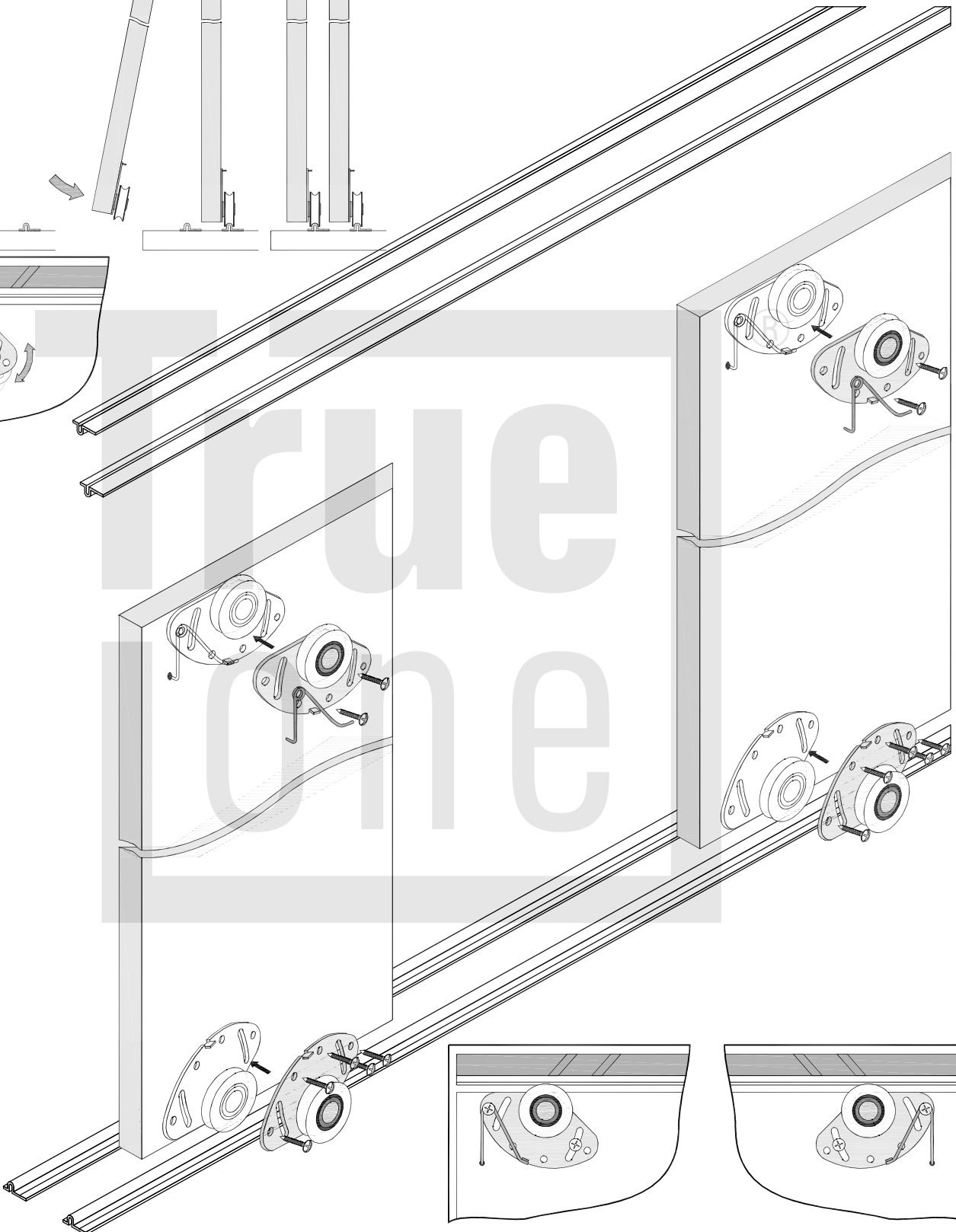
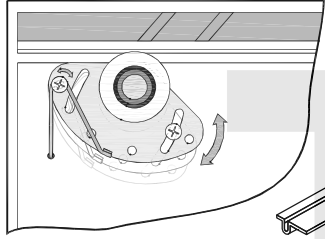
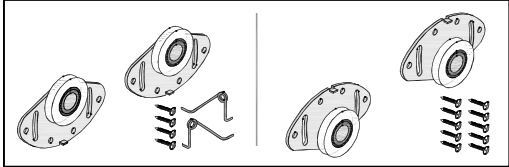


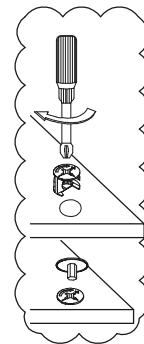
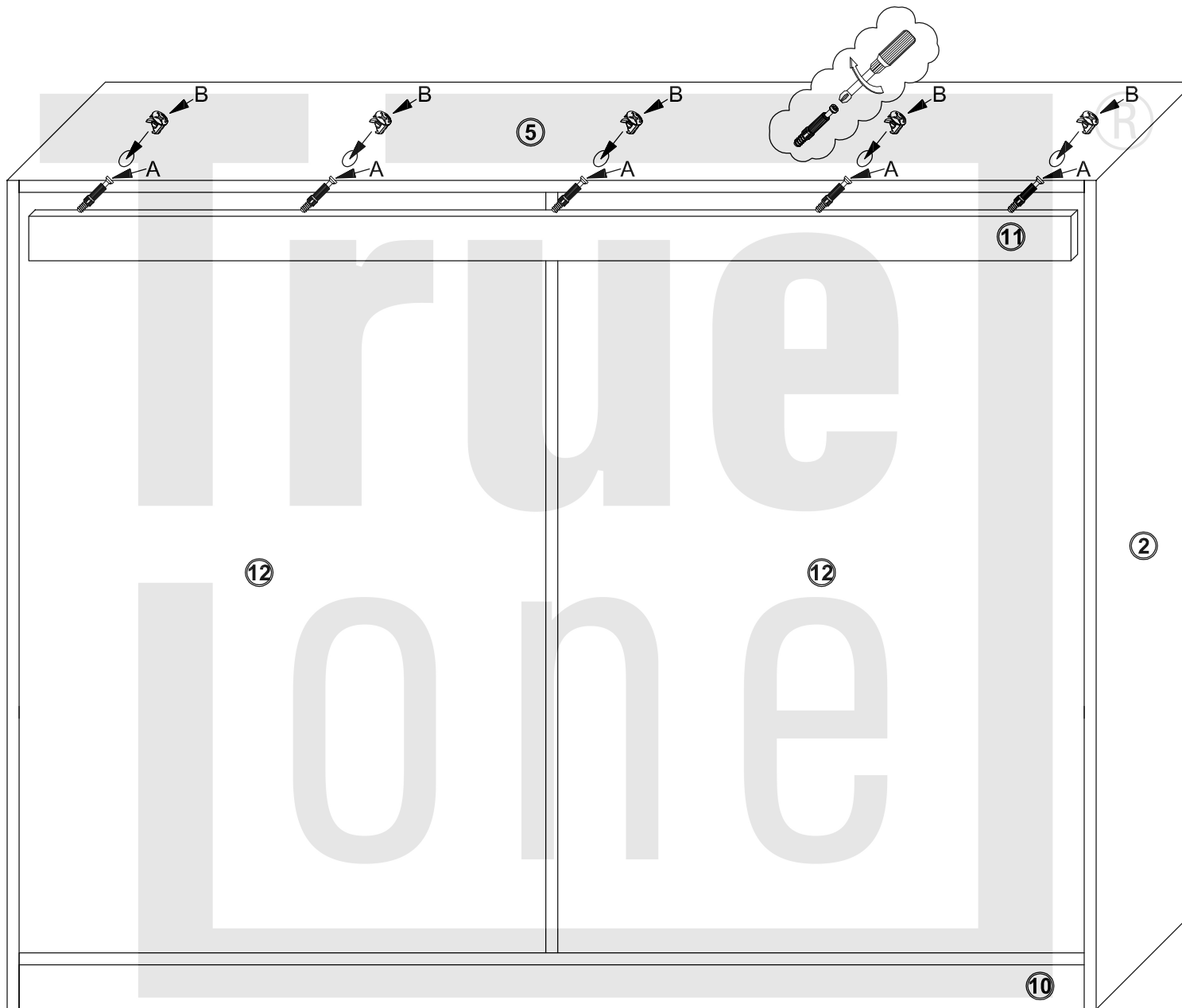
7




1

2

3





| | | |
|---|---|---|
|  |  |  |
| 5 A | 5 B | 5 C |