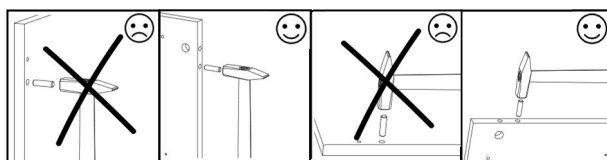
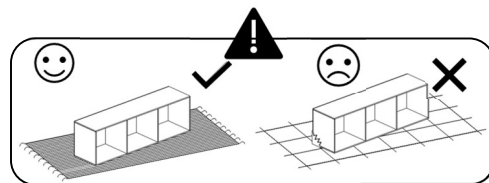
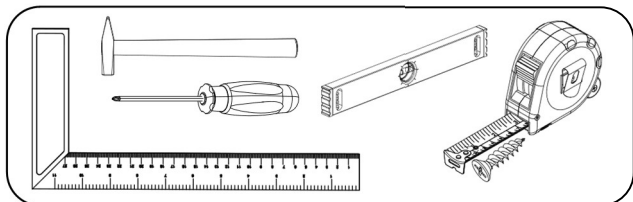
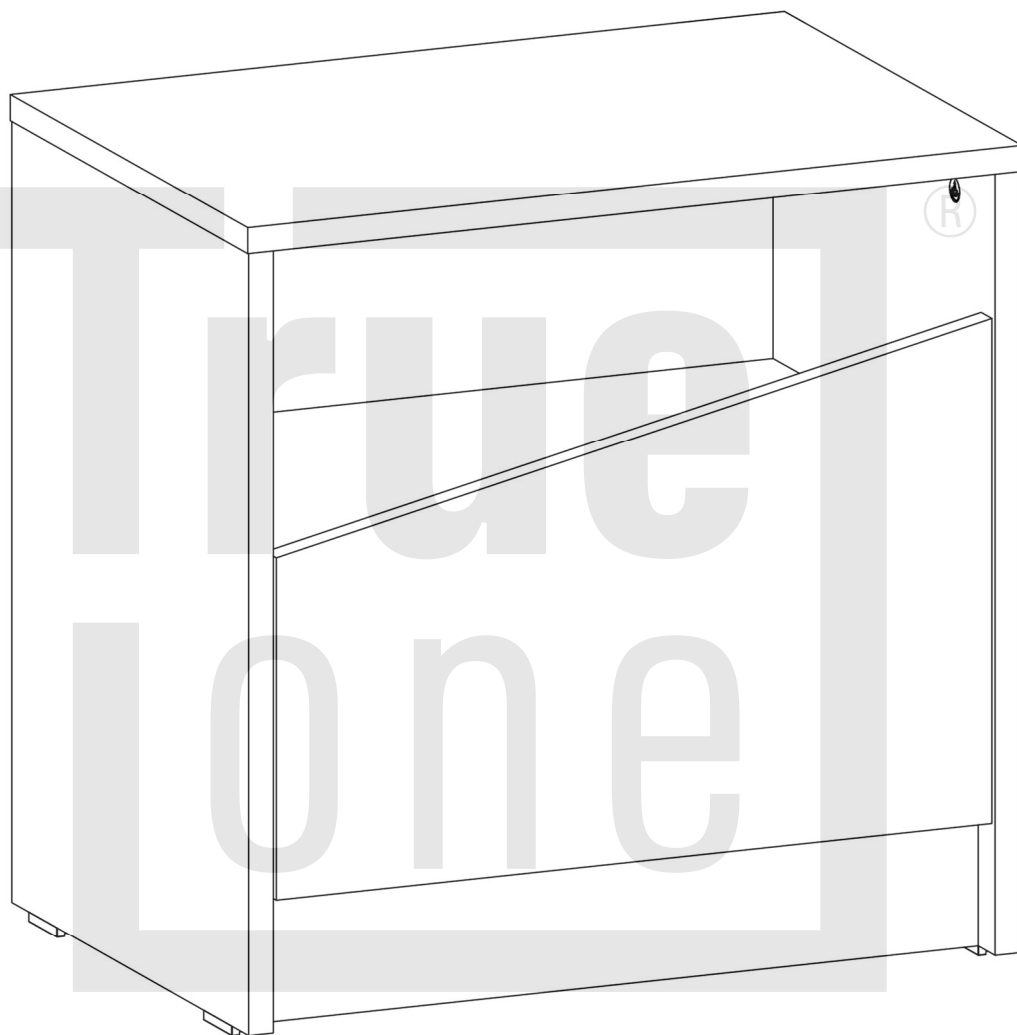
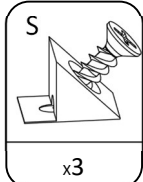
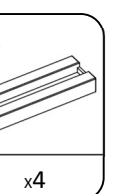
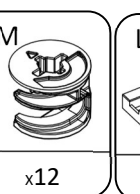
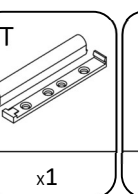
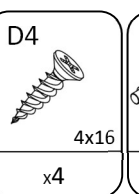
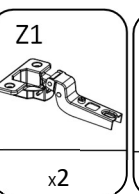
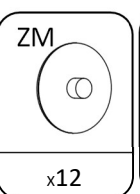
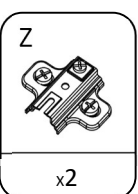
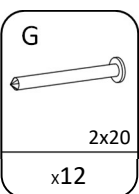
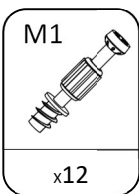
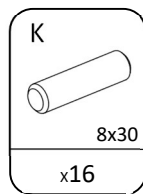
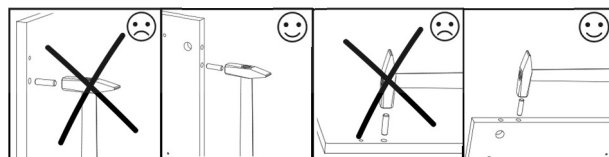
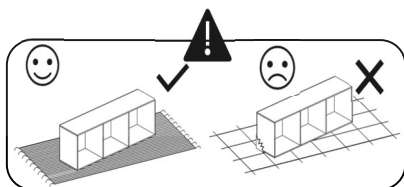
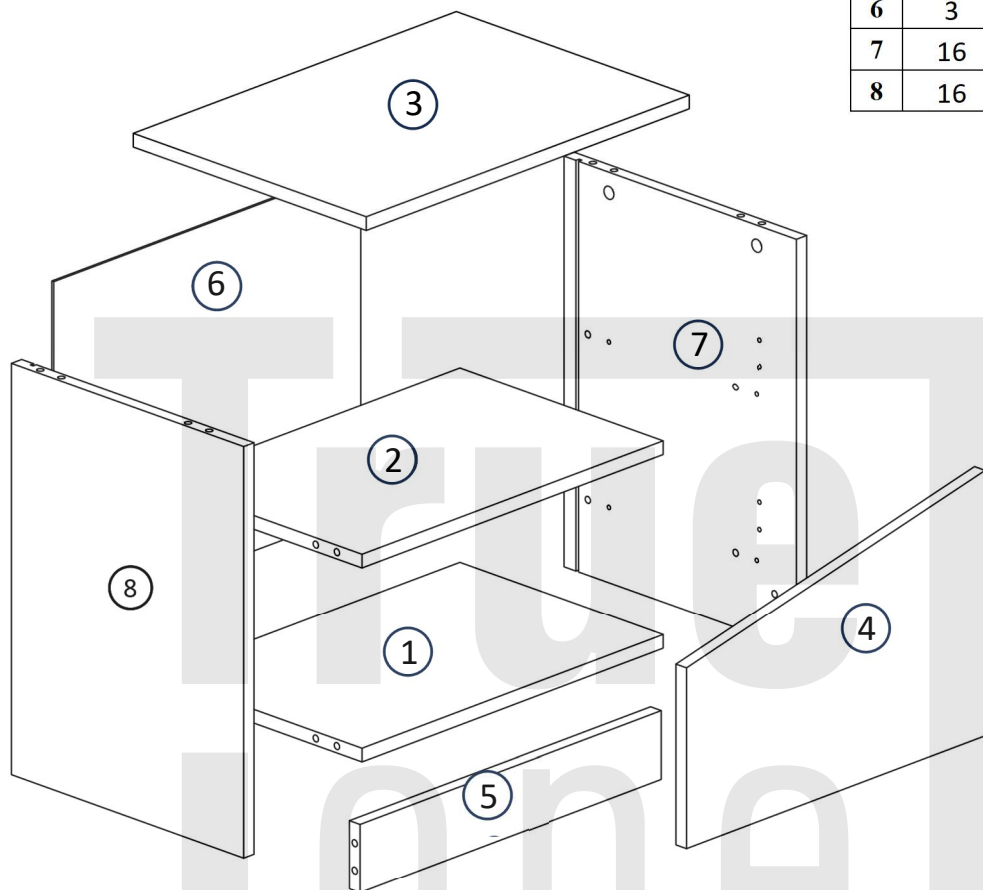


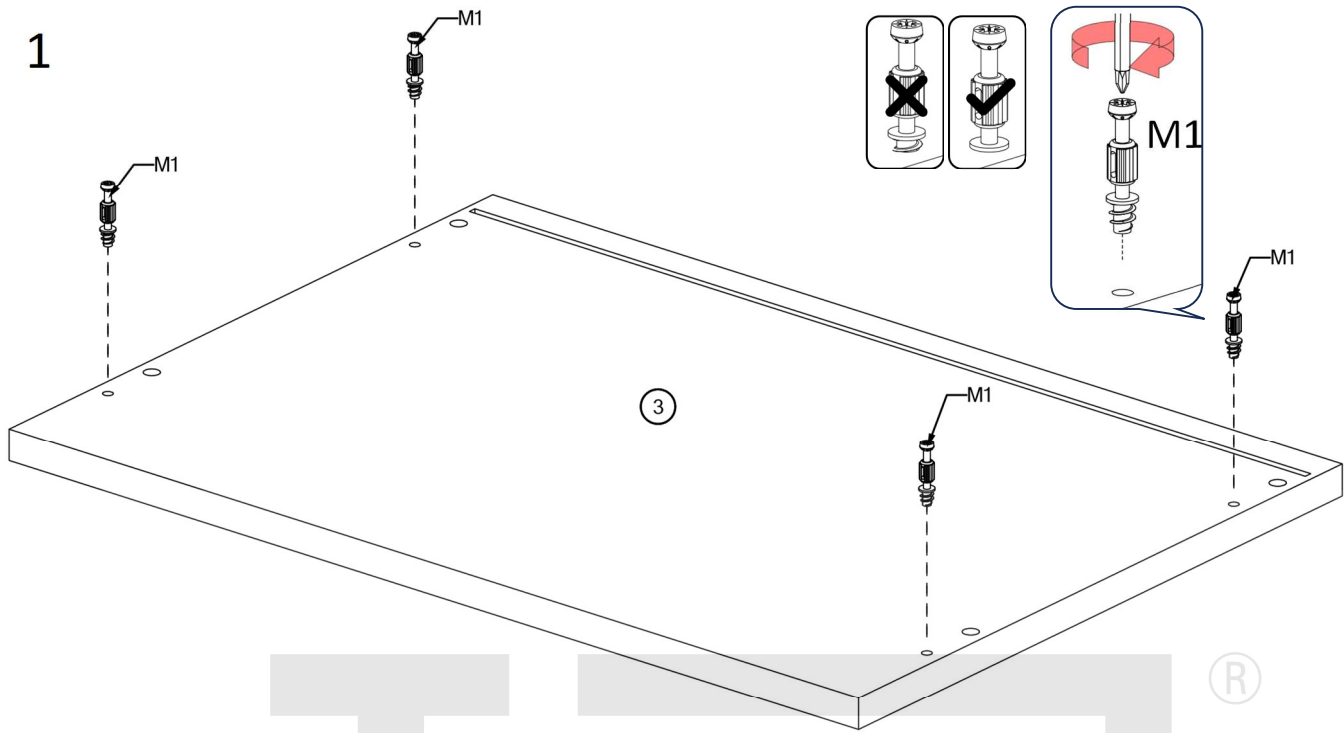
Nočný stolík I Atson



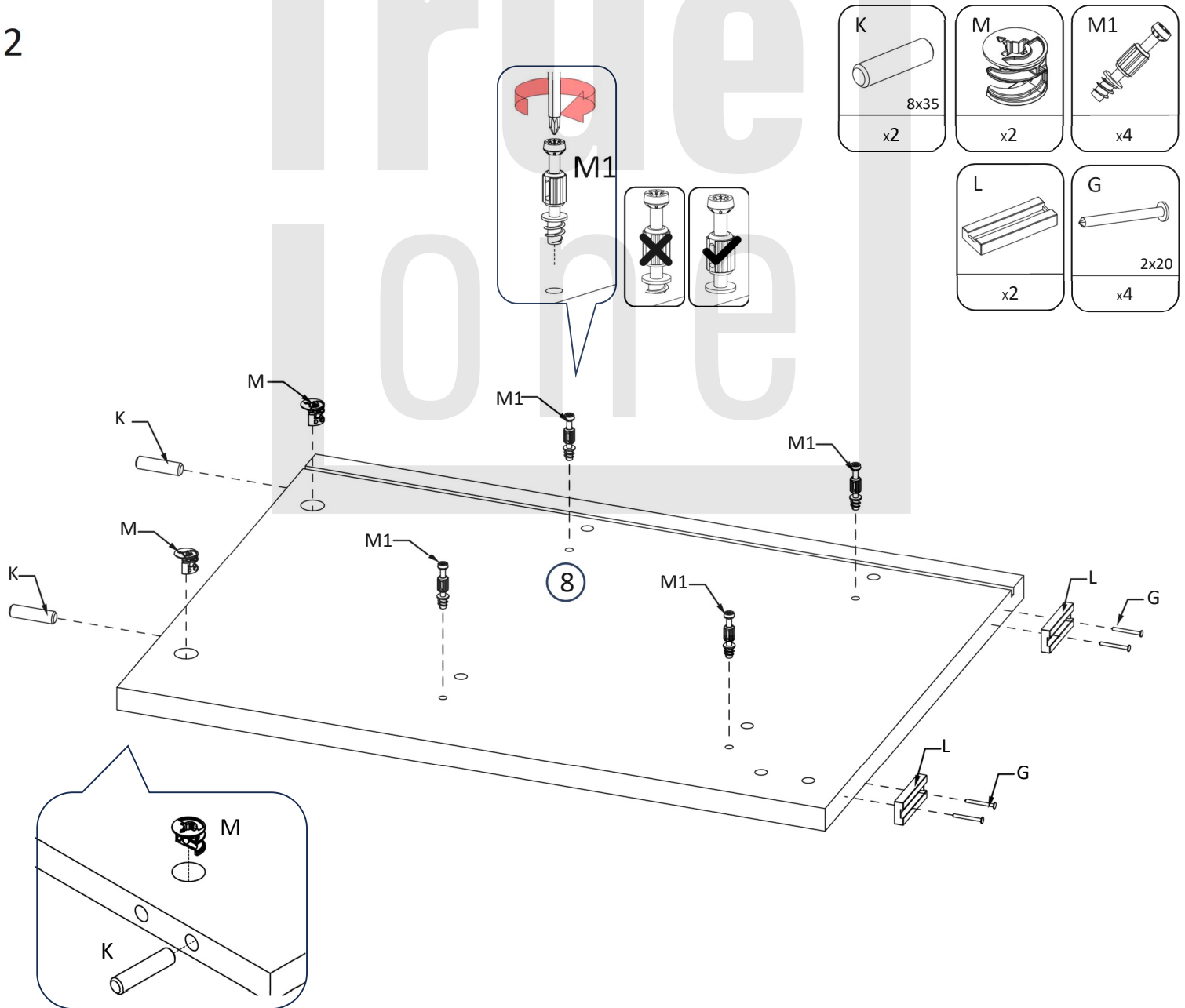
No	T(mm)	L(mm)	W(mm)	Stc.
1	16	468	308	1
2	16	468	308	1
3	16	502	353	1
4	16	310	464	1
5	16	468	80	1
6	3	477	403	1
7	16	458	352	1
8	16	458	352	1



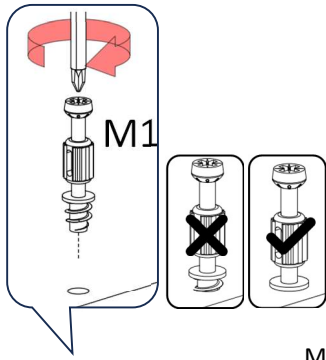
1



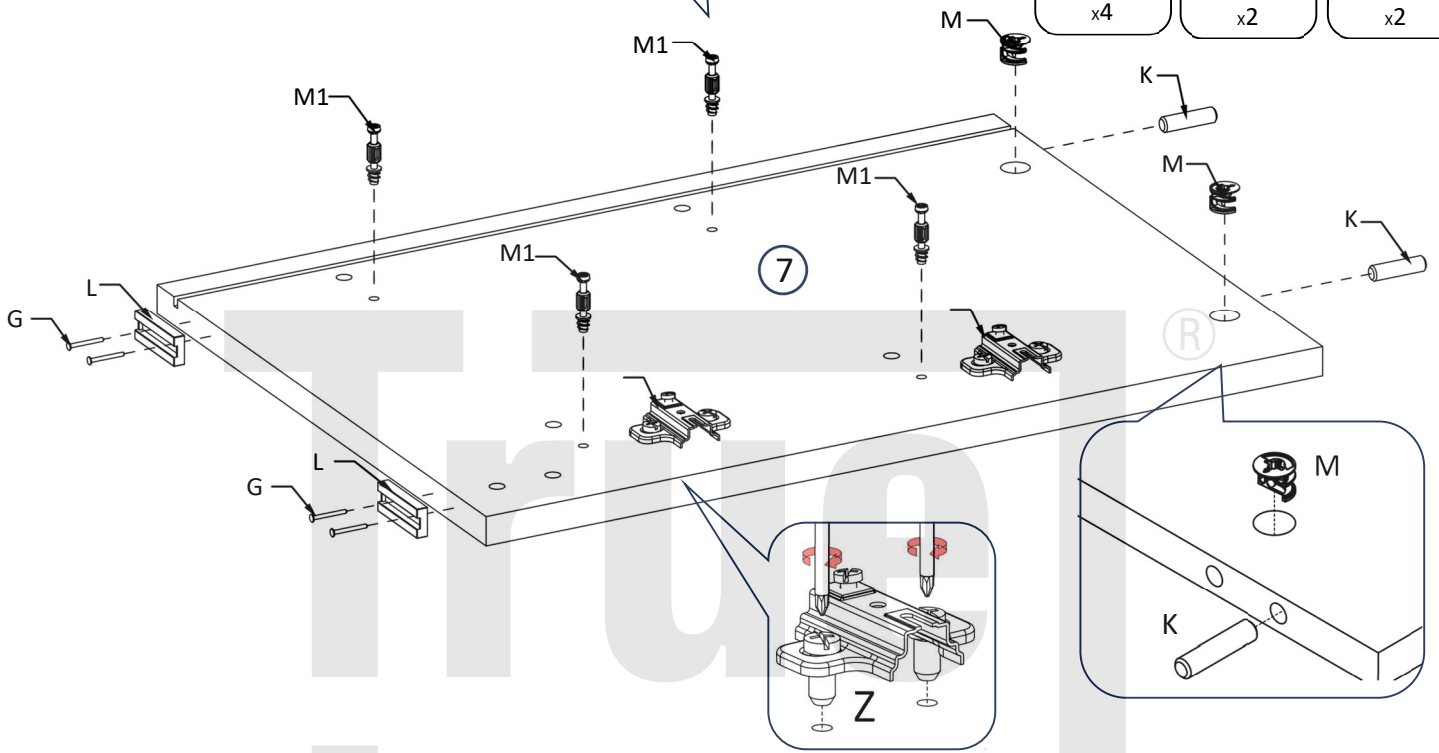
2



3

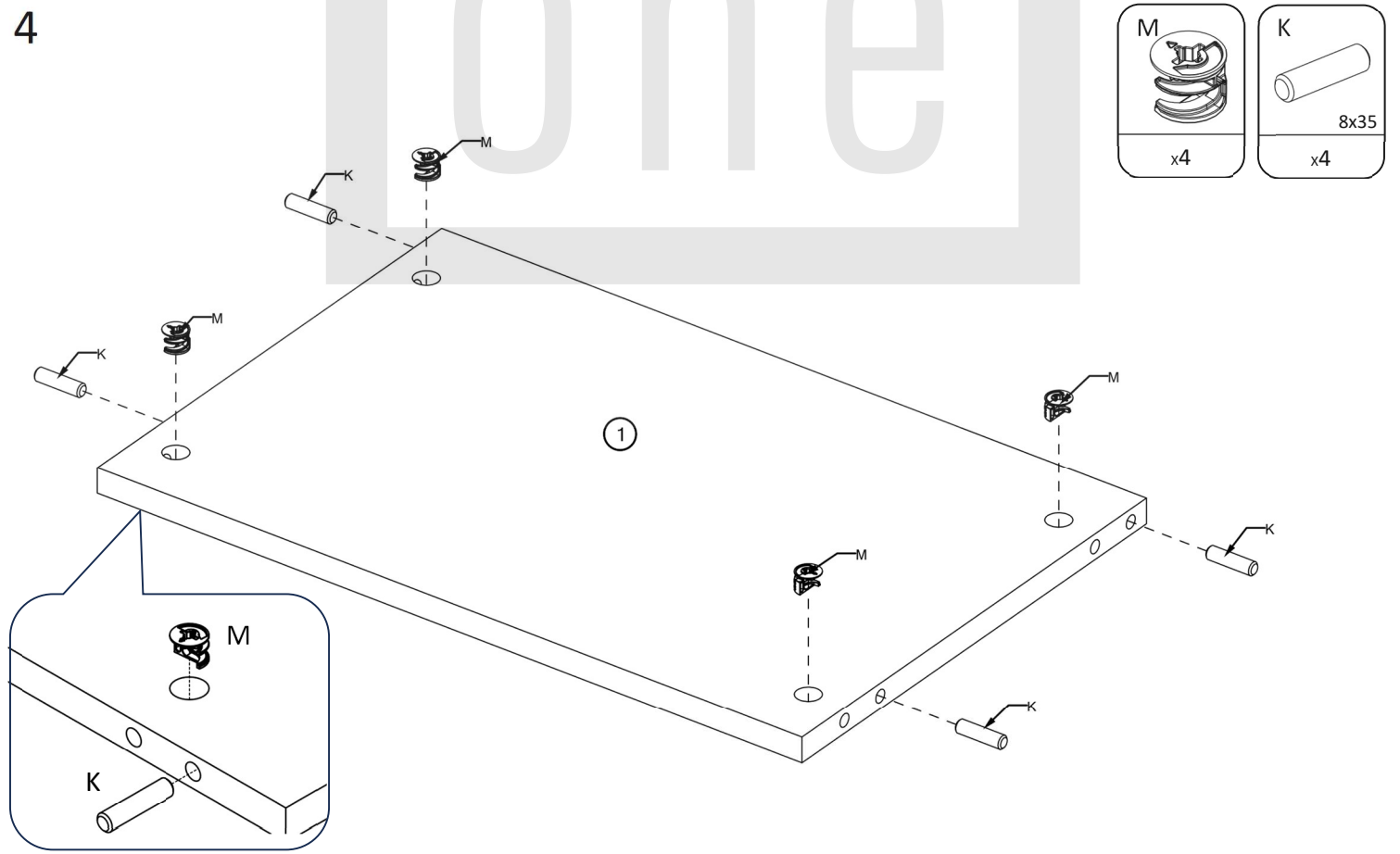


<p>K</p> <p>8x35</p> <p>x2</p>	<p>M</p> <p>x2</p>	<p>M1</p> <p>x4</p>
<p>G</p> <p>2x20</p> <p>x4</p>	<p>L</p> <p>x2</p>	<p>Z</p> <p>x2</p>

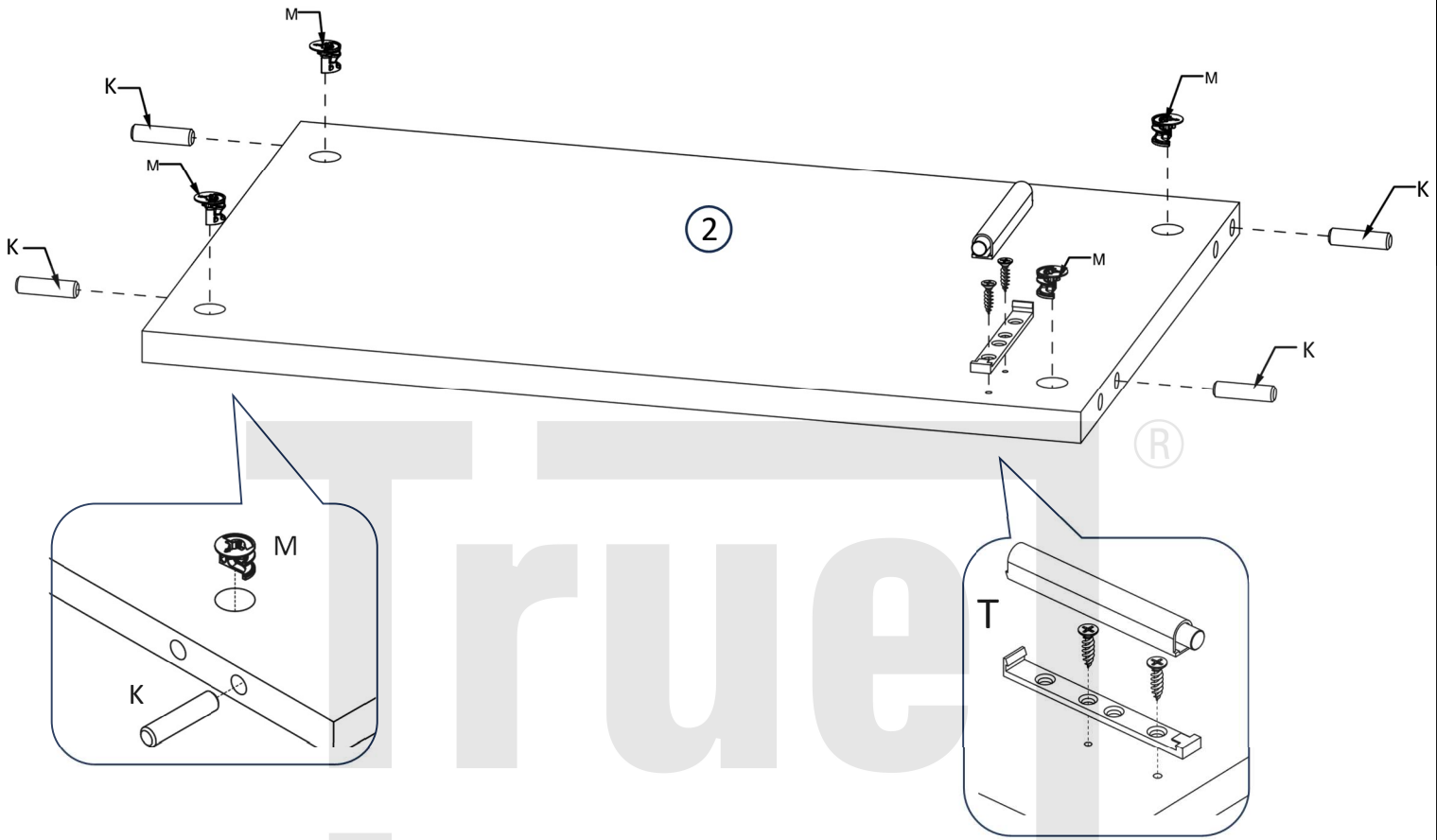
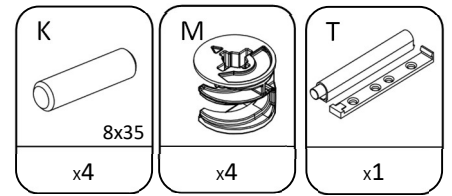


4

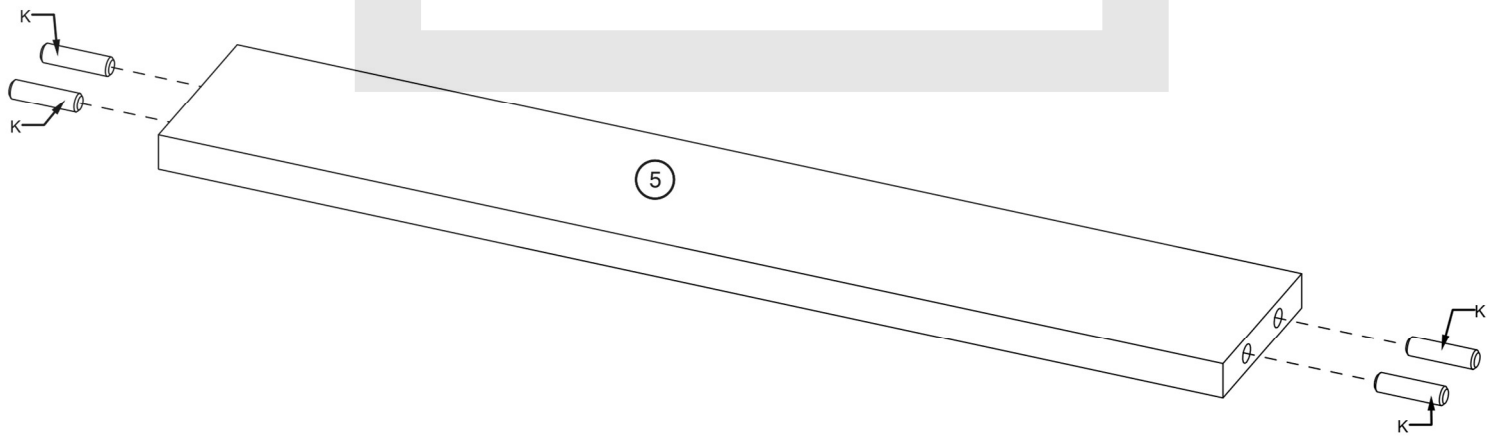
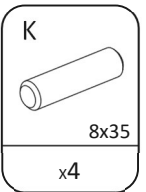
<p>M</p> <p>x4</p>	<p>K</p> <p>8x35</p> <p>x4</p>
--------------------	--------------------------------



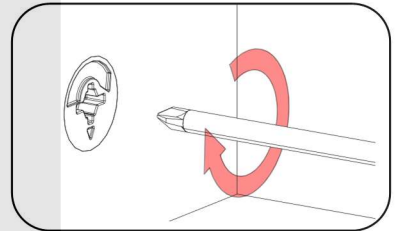
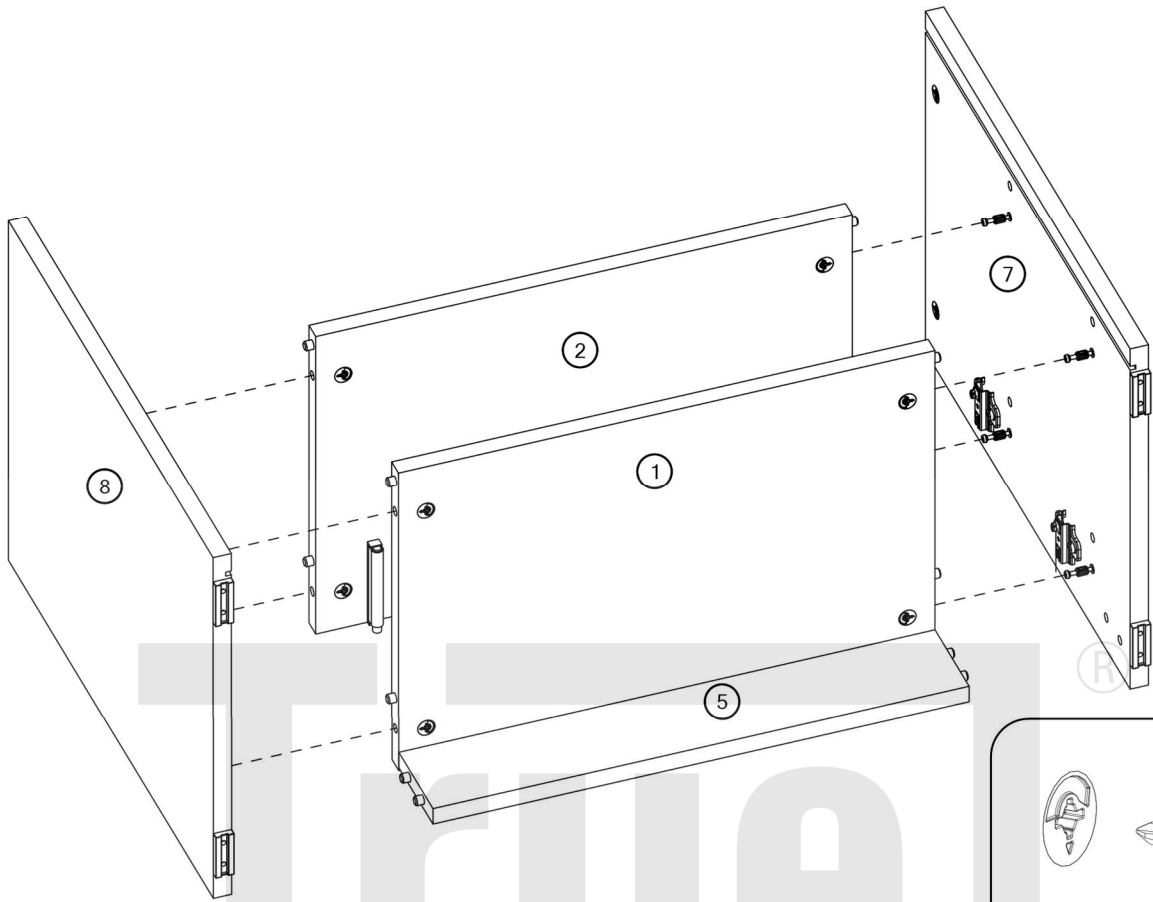
5



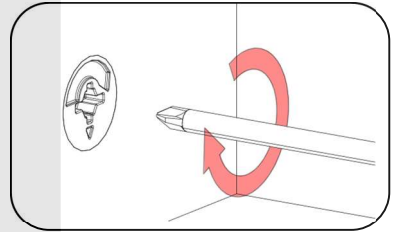
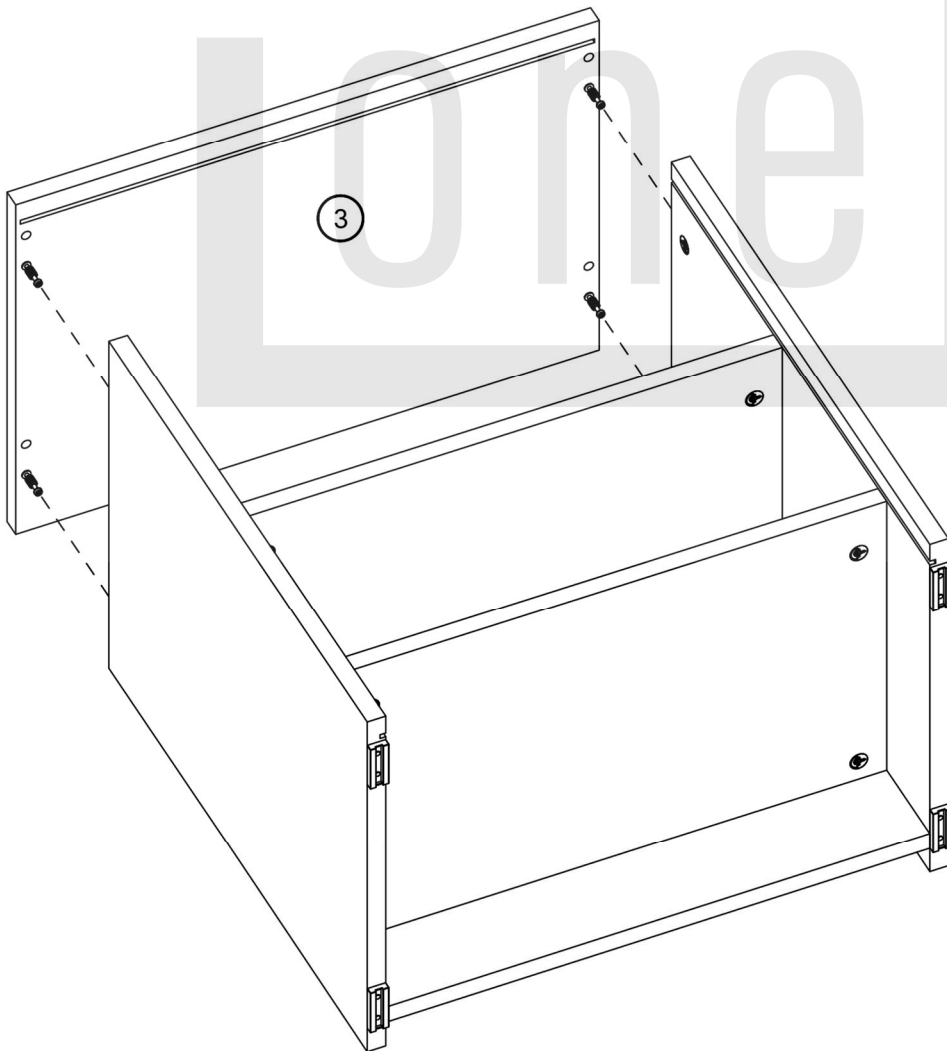
6



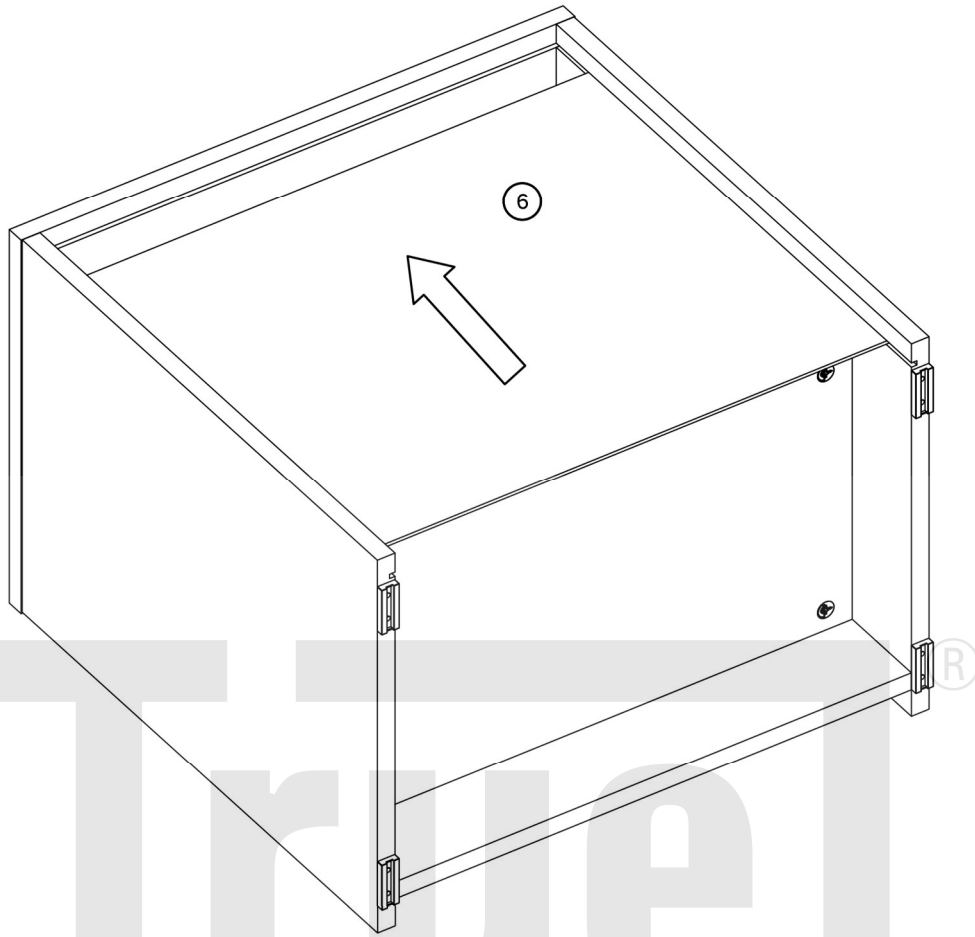
7



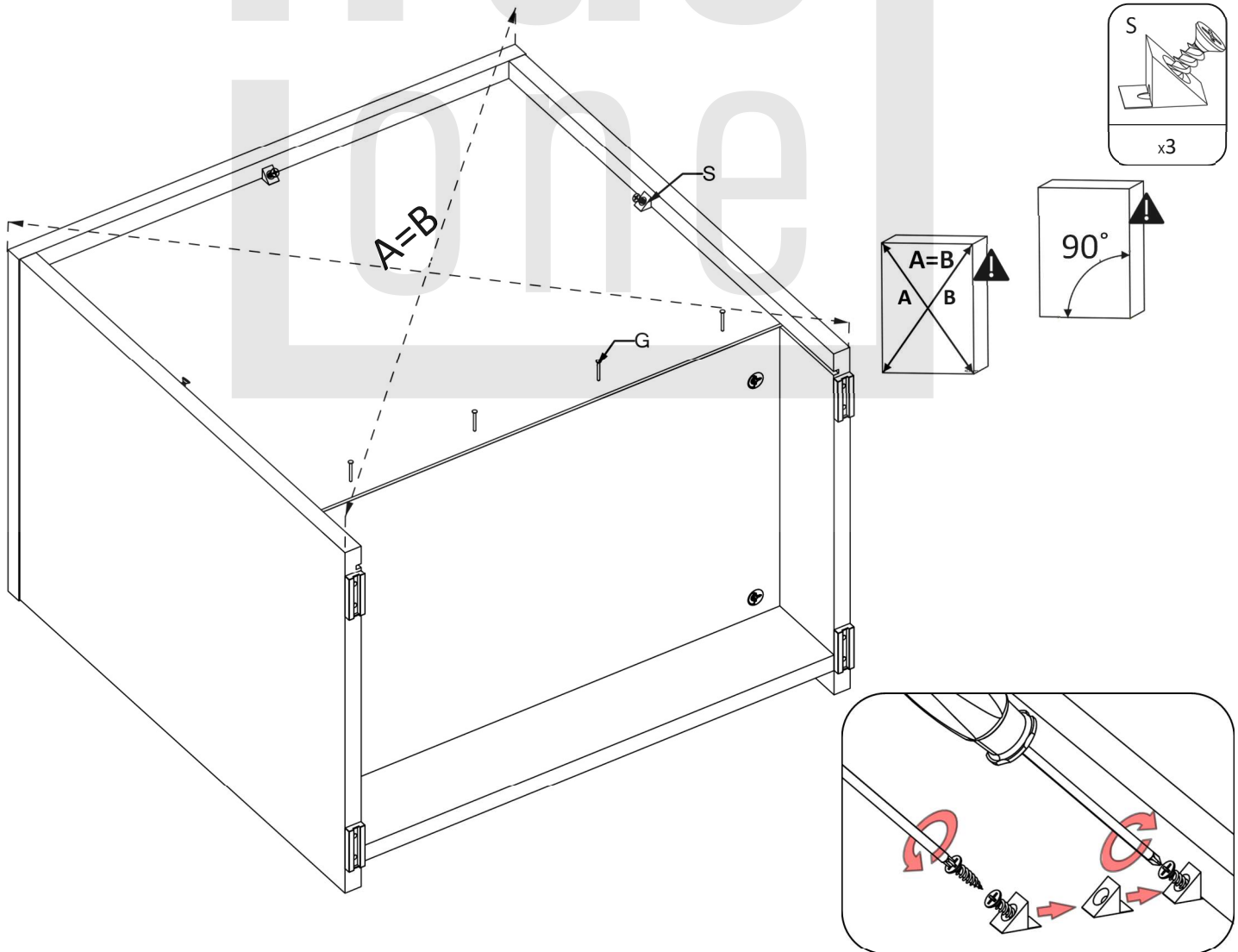
8



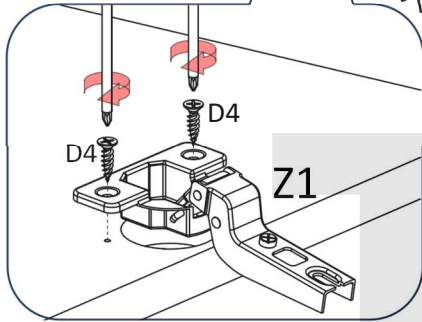
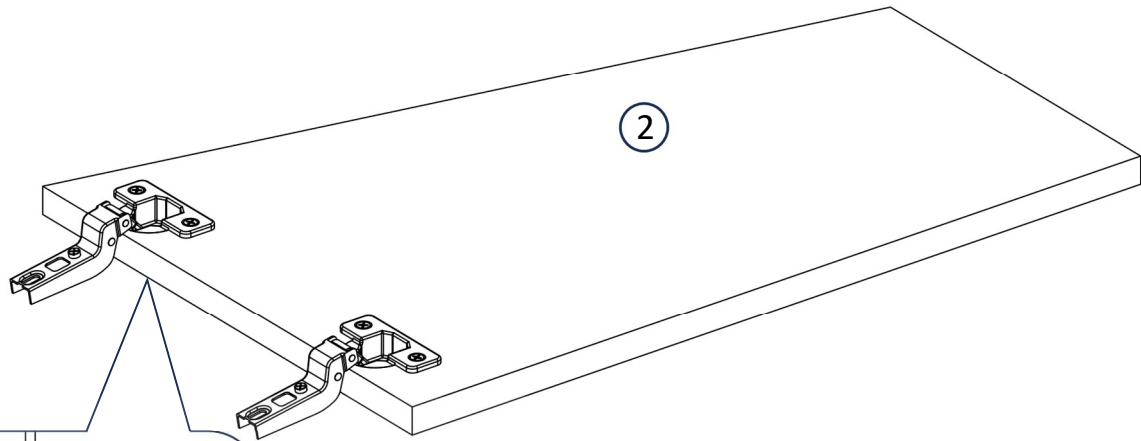
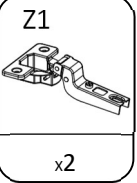
9



10



11



12

