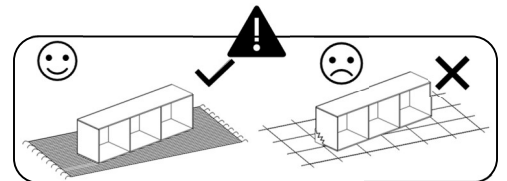
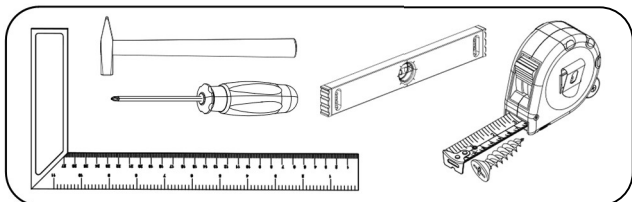
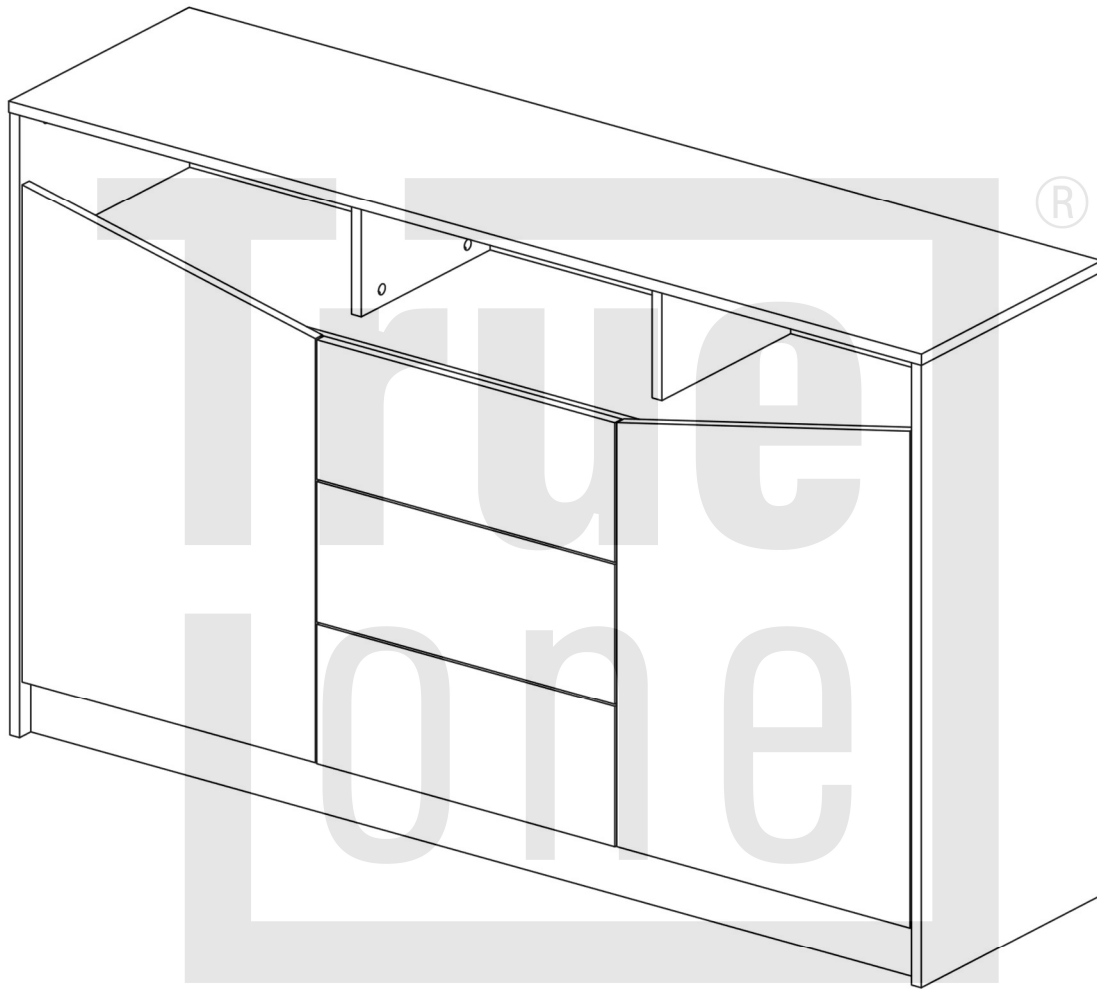
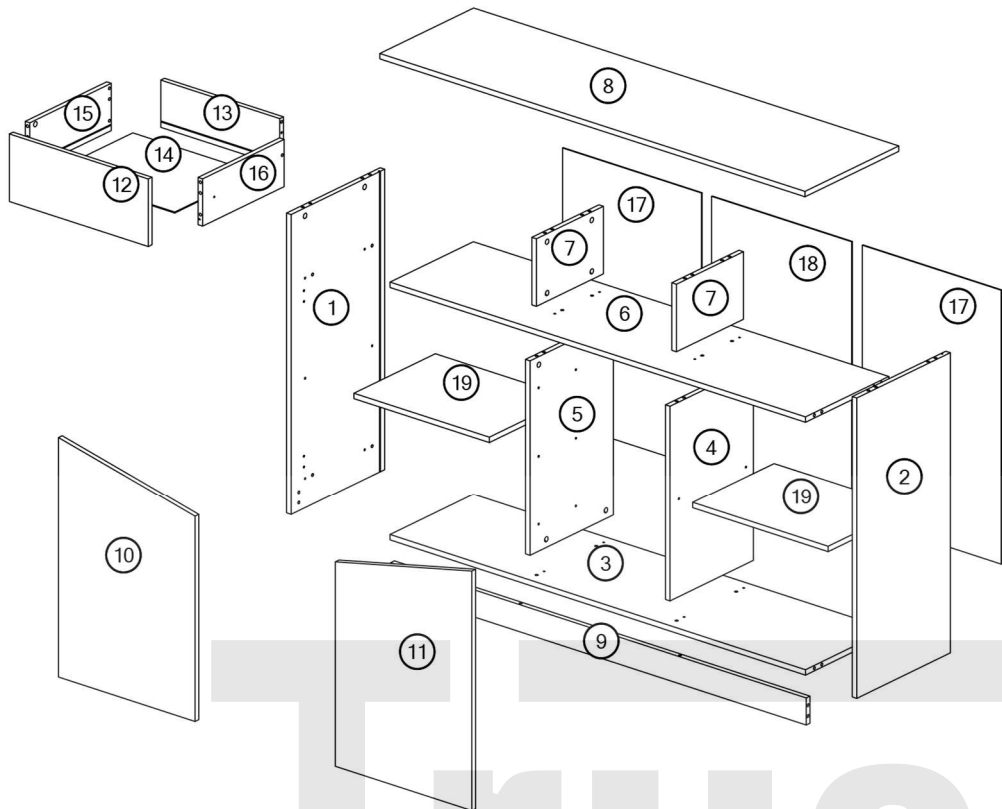


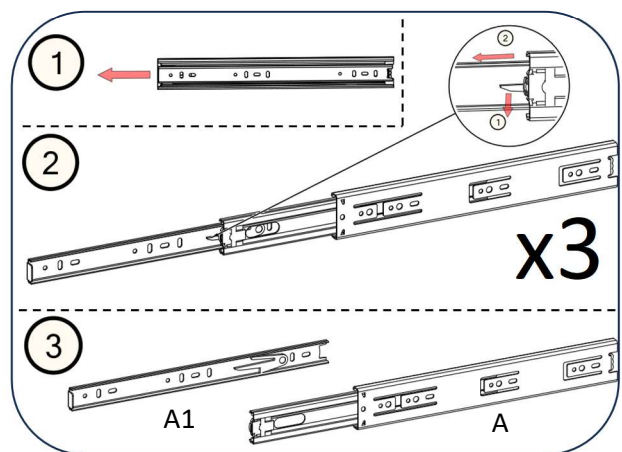
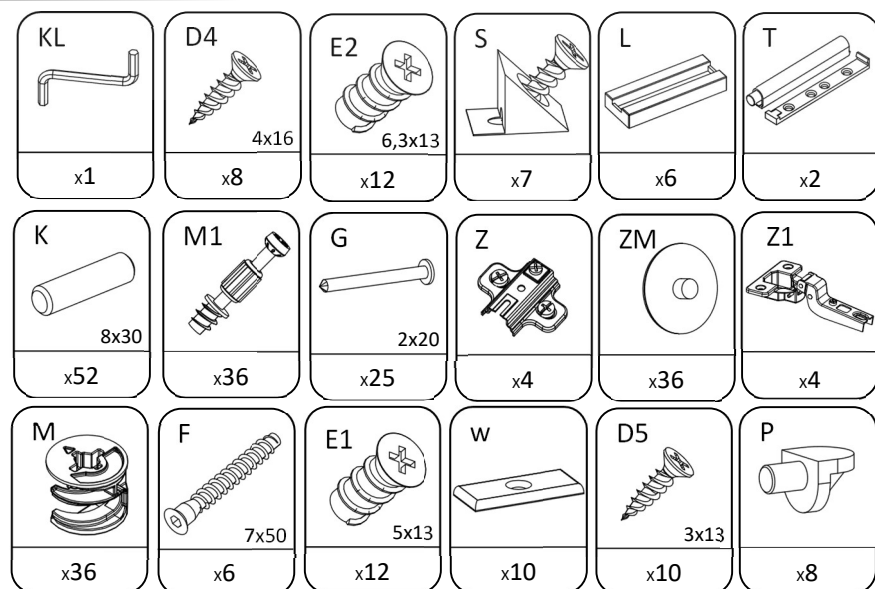
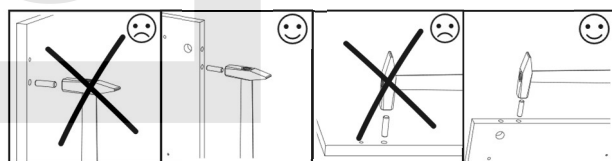
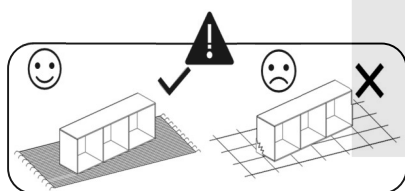
# Komoda Atson



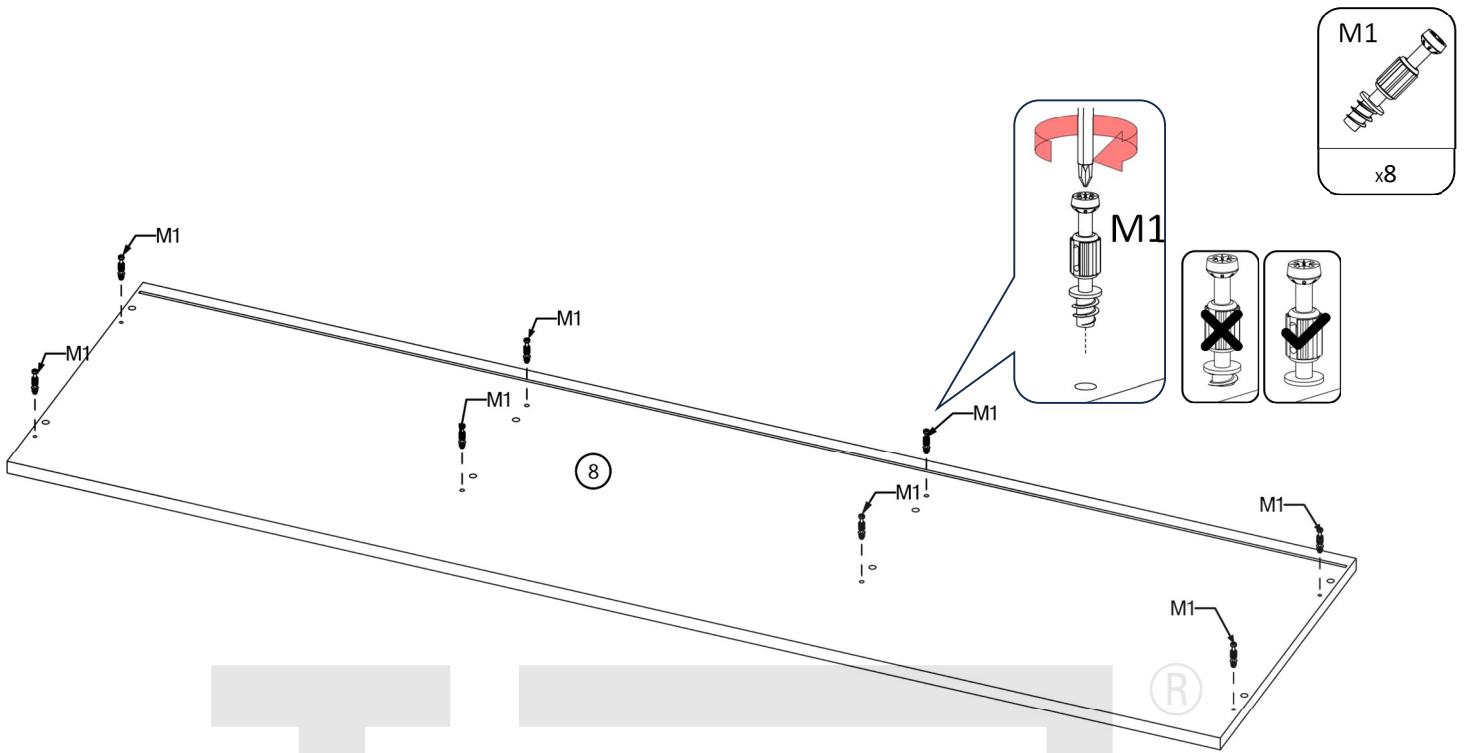


No	T(mm)	L(mm)	W(mm)	Stc.
1	16	890	402	1
2	16	890	402	1
3	16	1460	358	1
4	16	578	358	1
5	16	578	358	1
6	16	1460	358	1
7	16	200	288	2
8	16	1494	403	1
9	16	1460	80	1
10	16	710	480	1
11	16	710	480	1
12	16	488	200	3
13	16	418	140	3
14	3	432	348	3
15	16	350	140	3
16	16	350	140	3
17	3	813	488	2
18	3	813	492	1
19	16	476	350	2

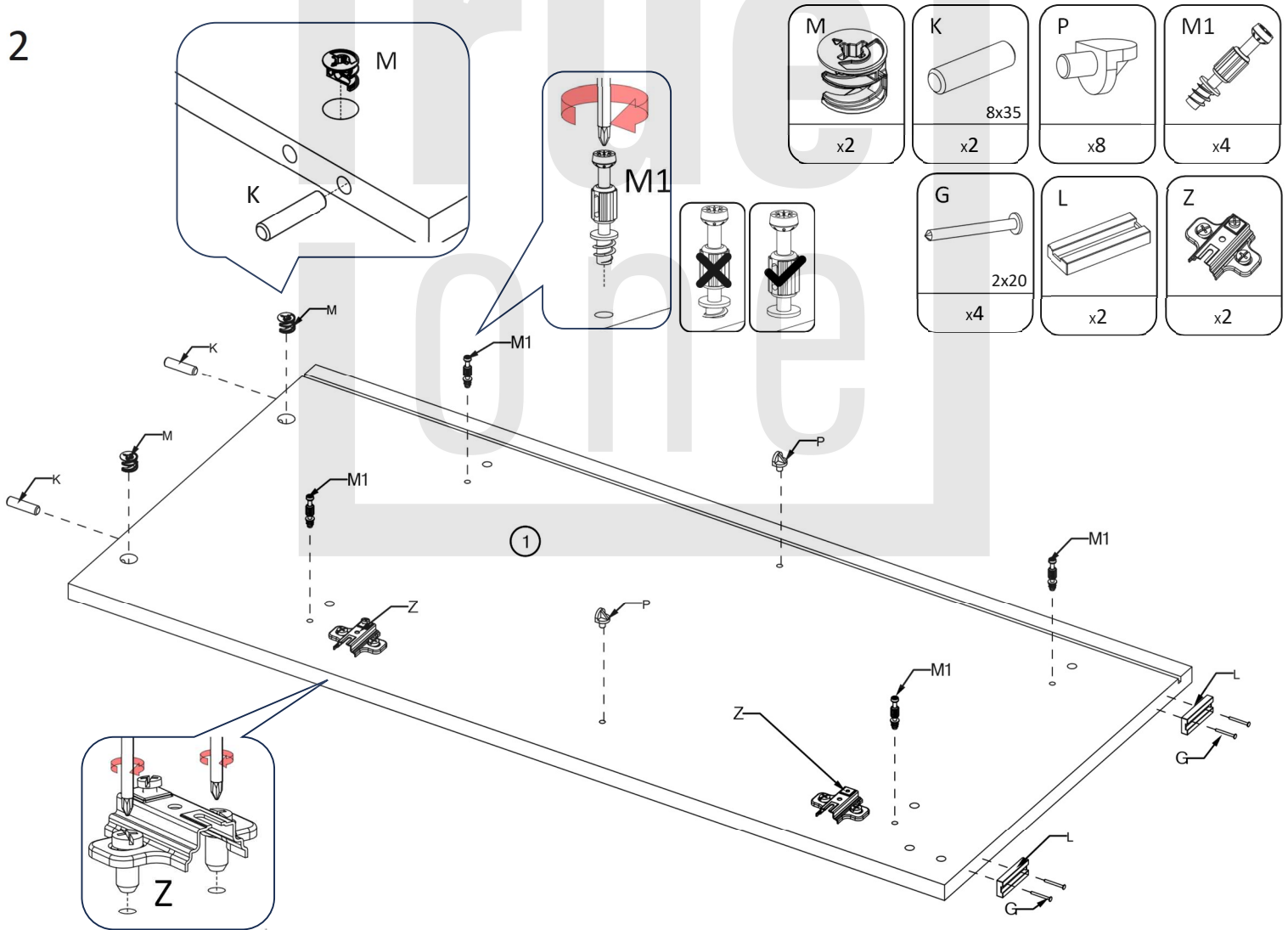
True  
one




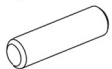





1

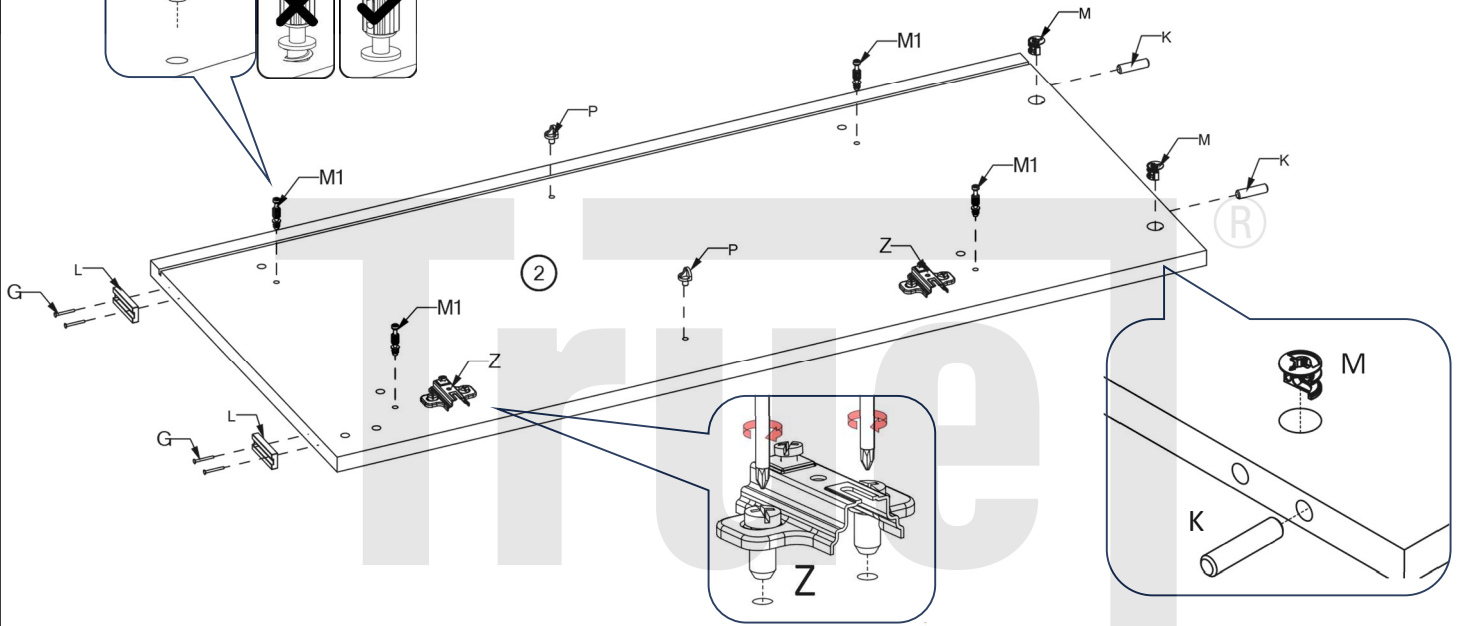
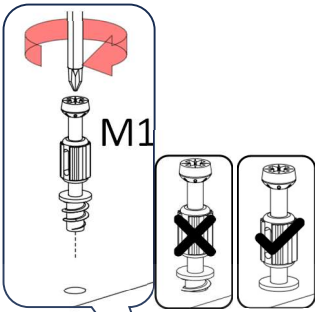


2


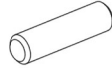


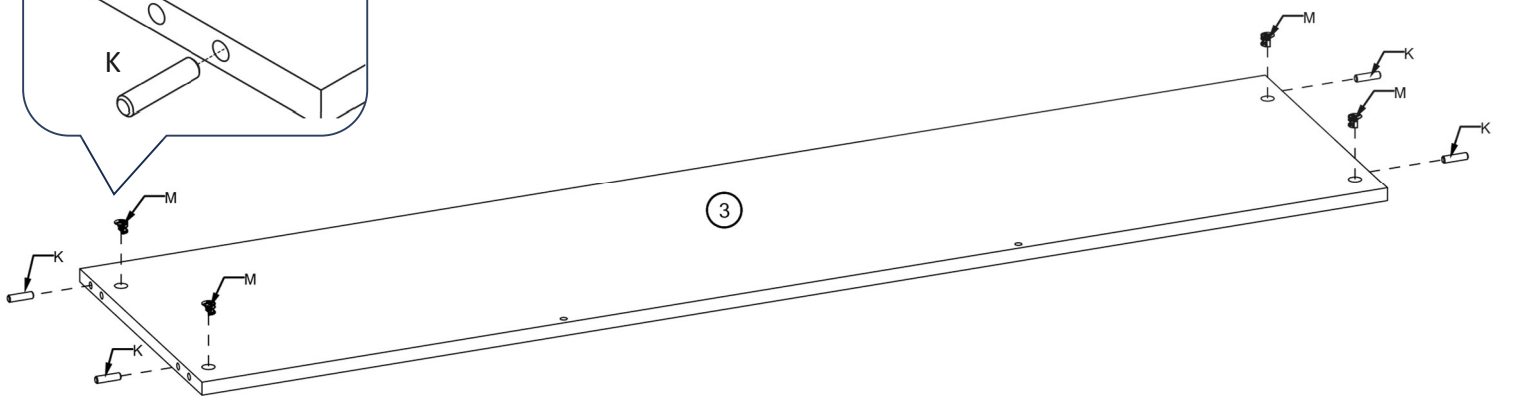
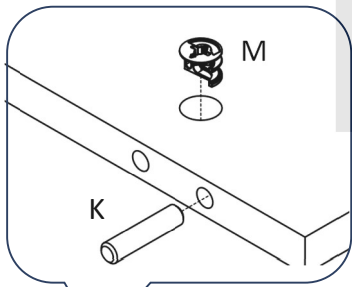
3

M  x2	K  8x35 x2	P  x8	M1  x4
G  2x20 x4	L  x2	Z  x2	



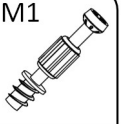
4

M  x4	K  8x35 x4
--	--

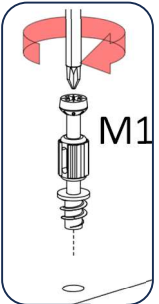
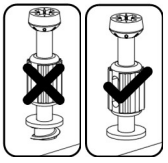


5

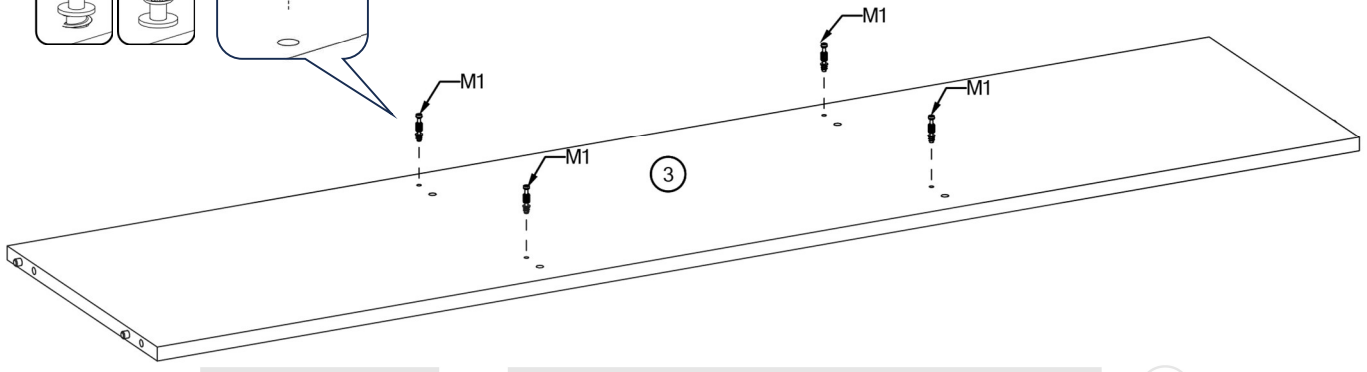
M1



x4

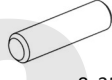


M1



6

K



8x35

x4

M



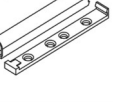
x4

M1

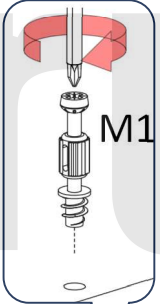
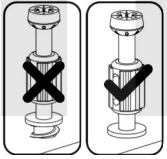


x4

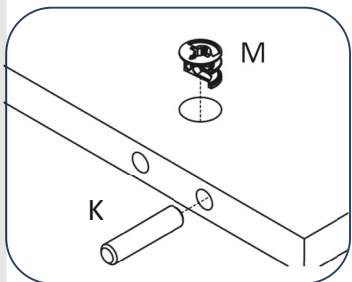
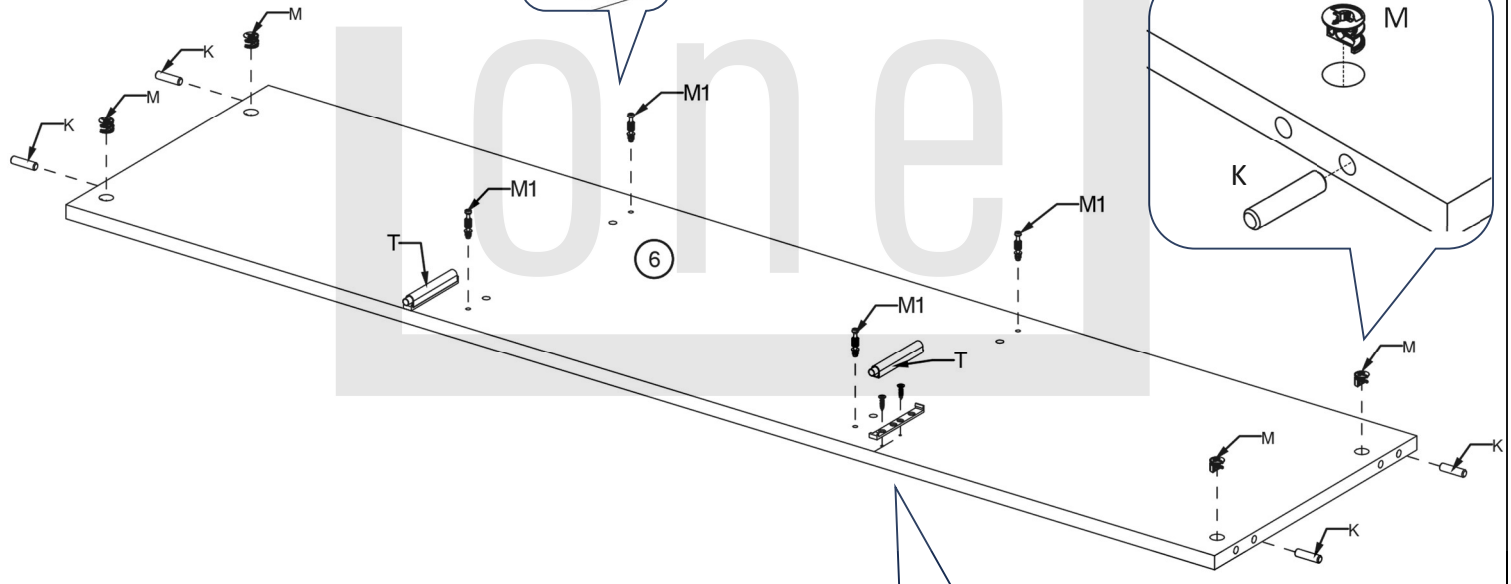
T



x2

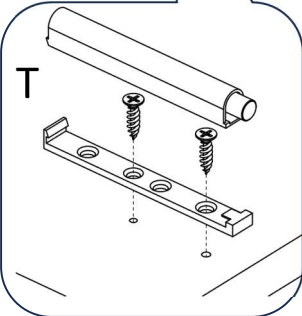


M1



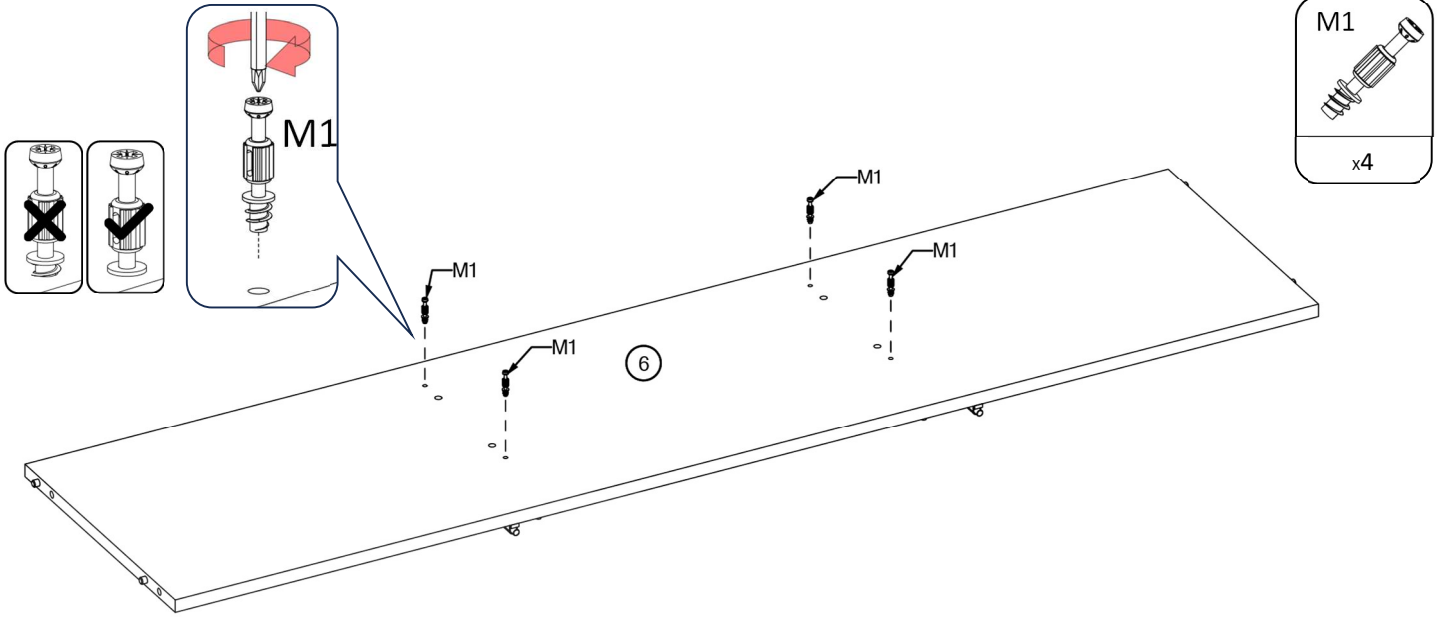
M

K

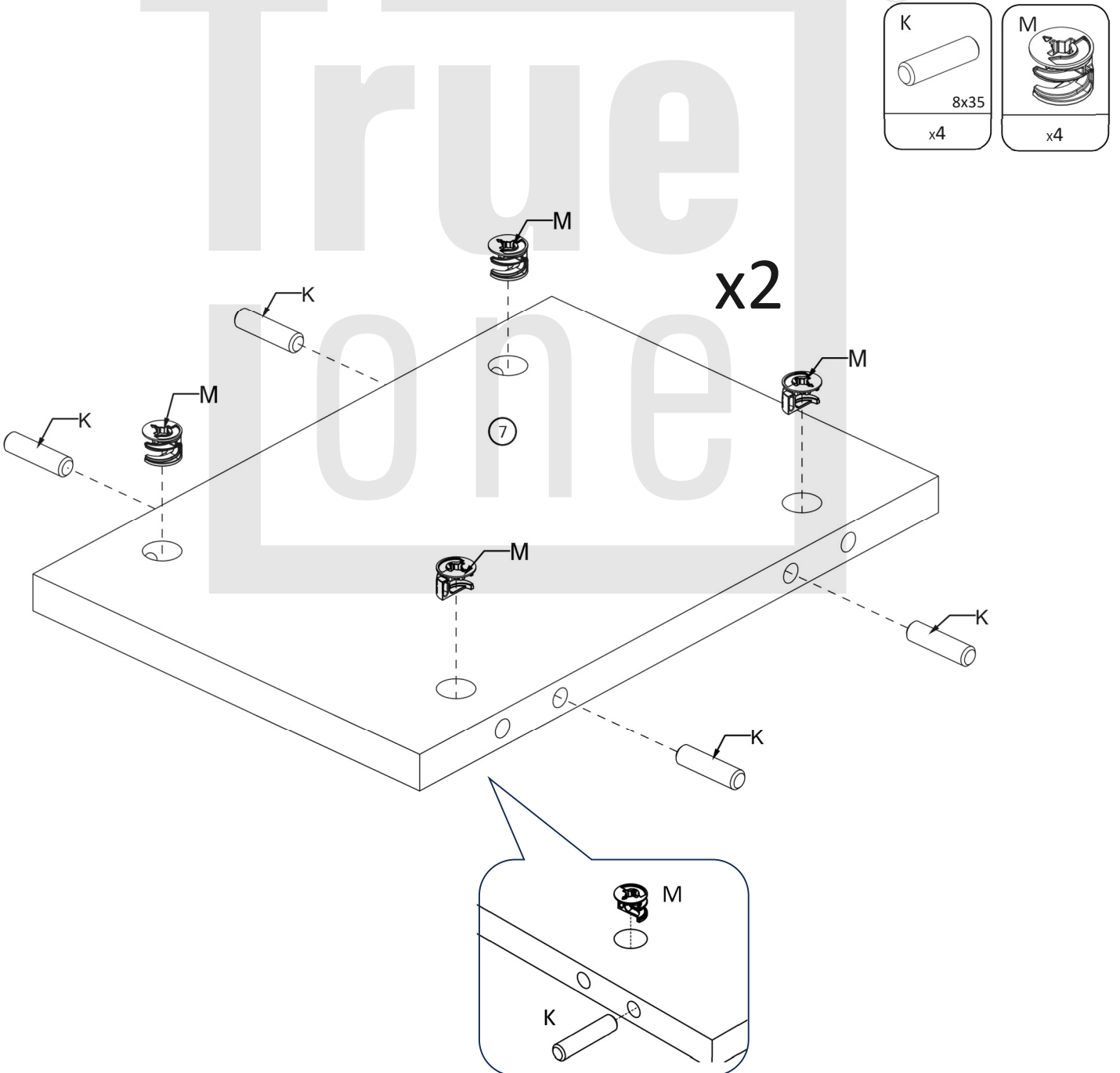


T

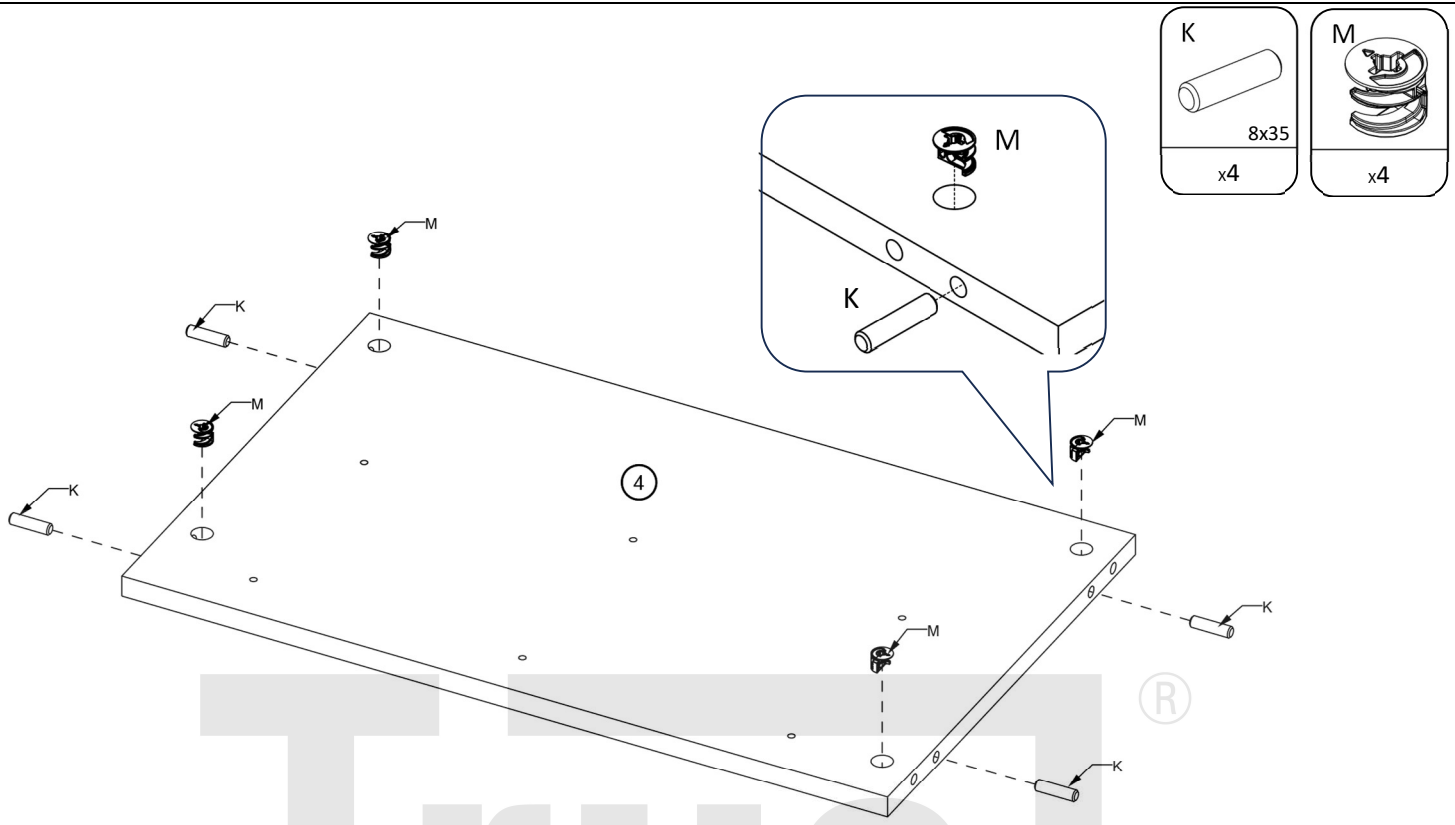
7



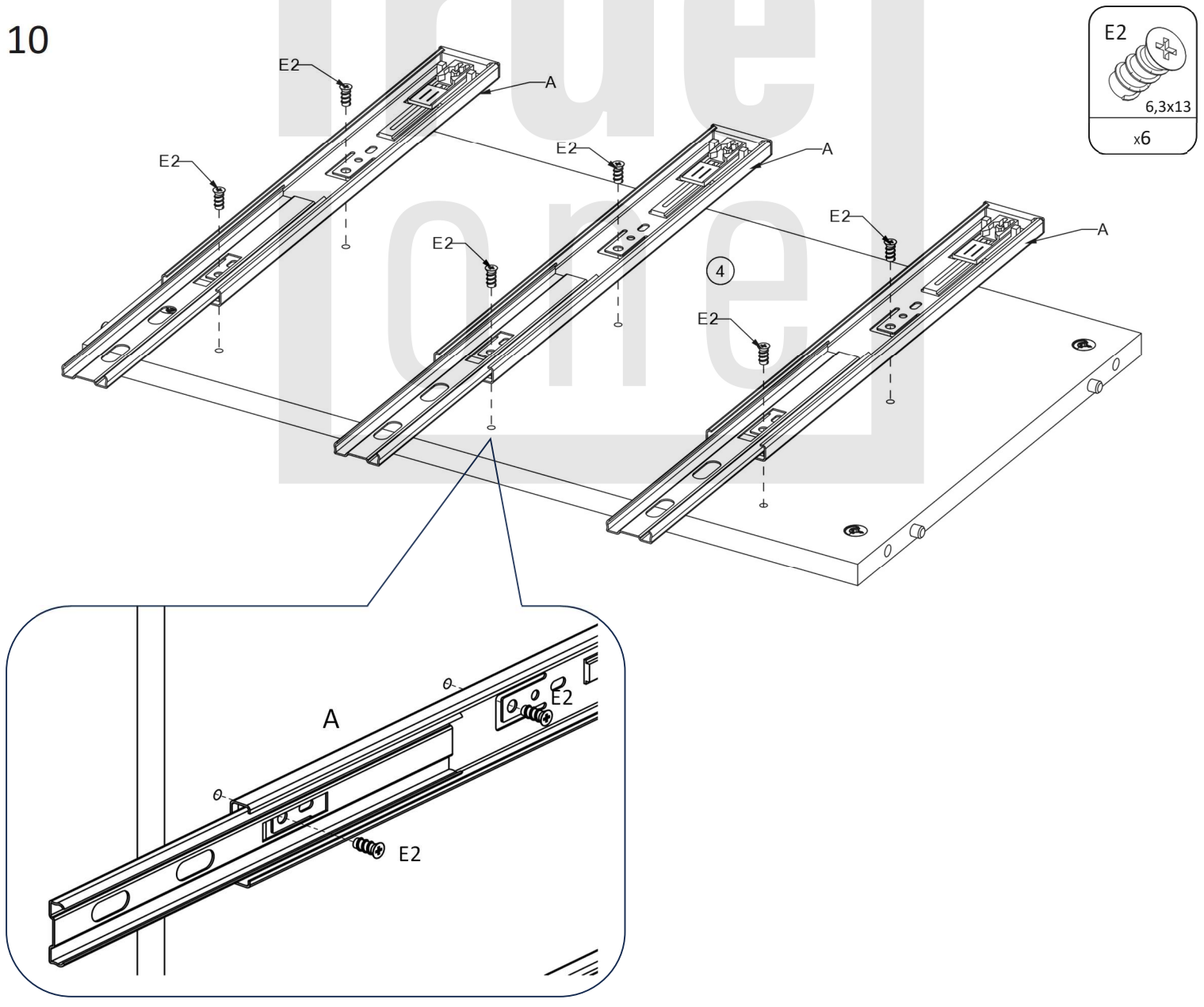
8



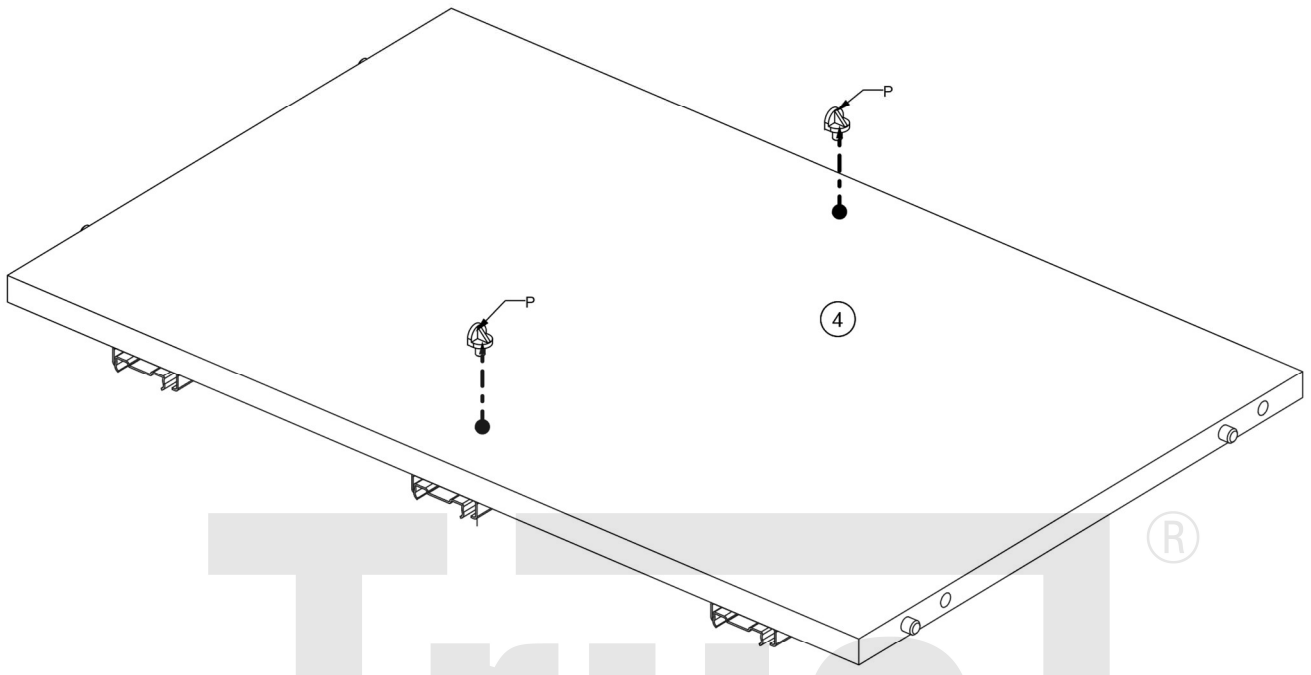
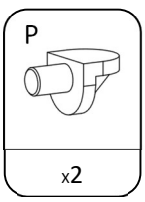
9



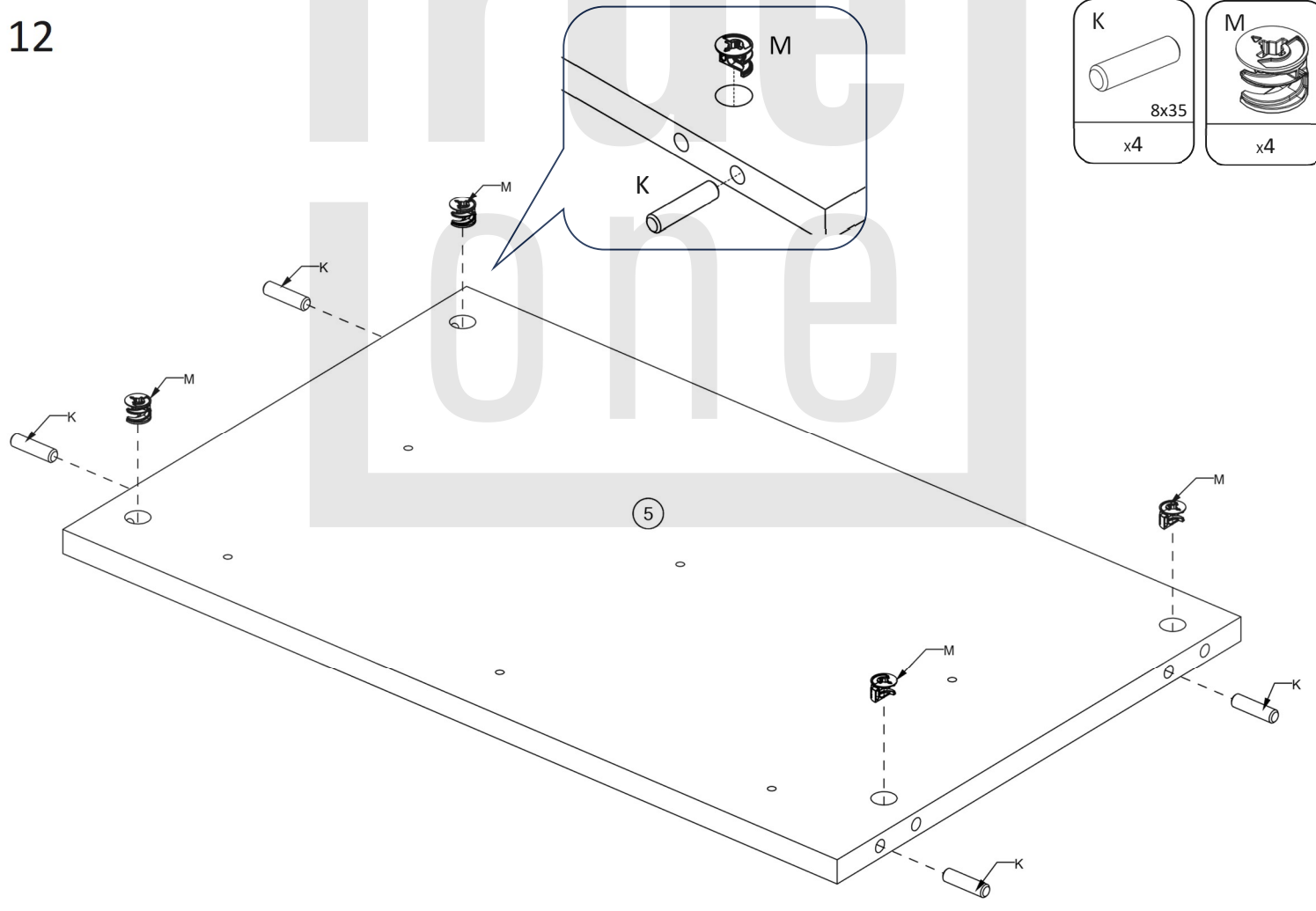
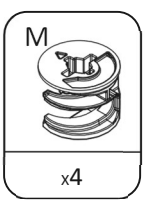
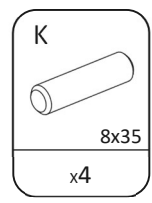
10



11

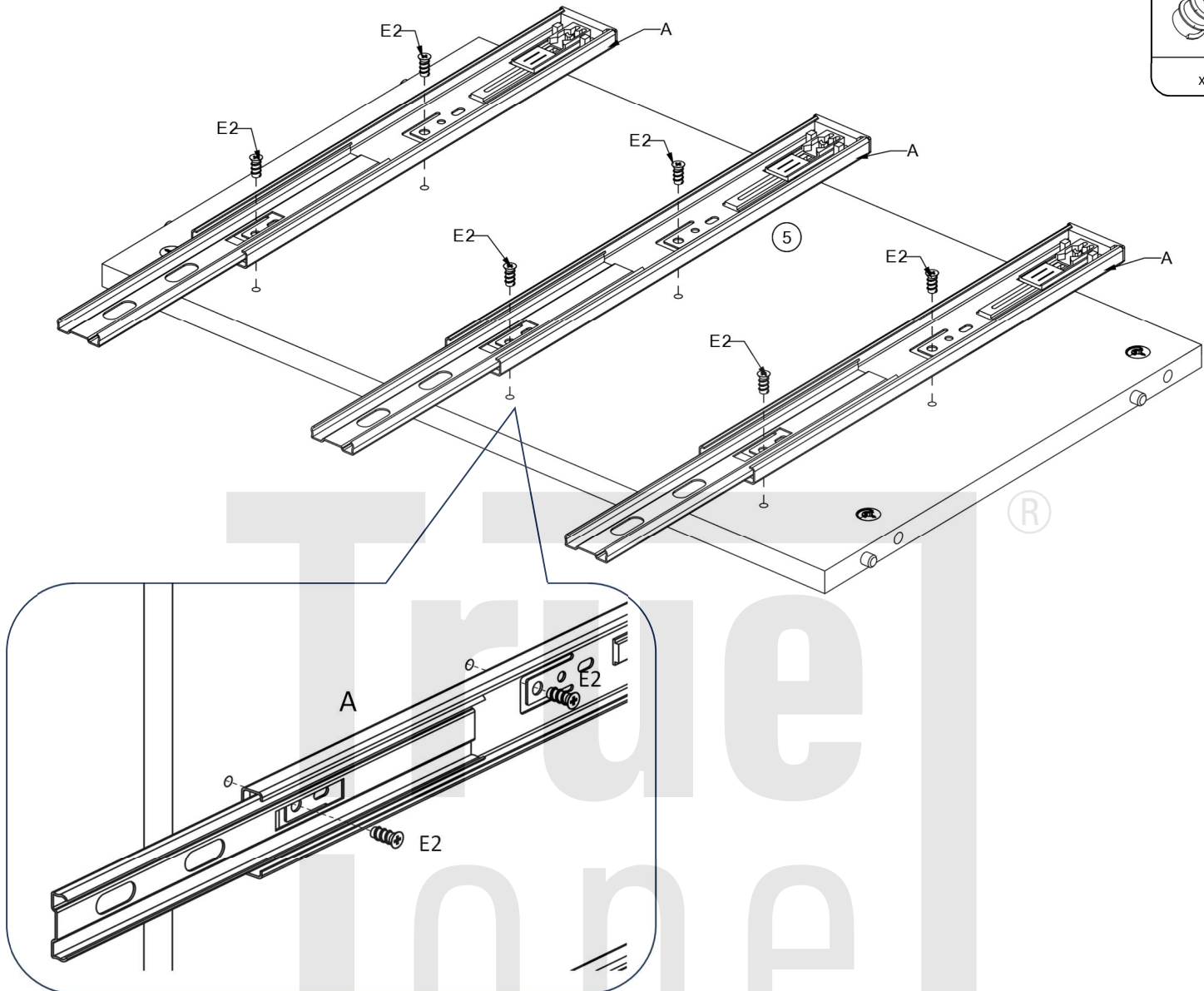
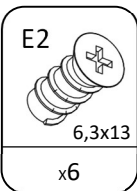


12

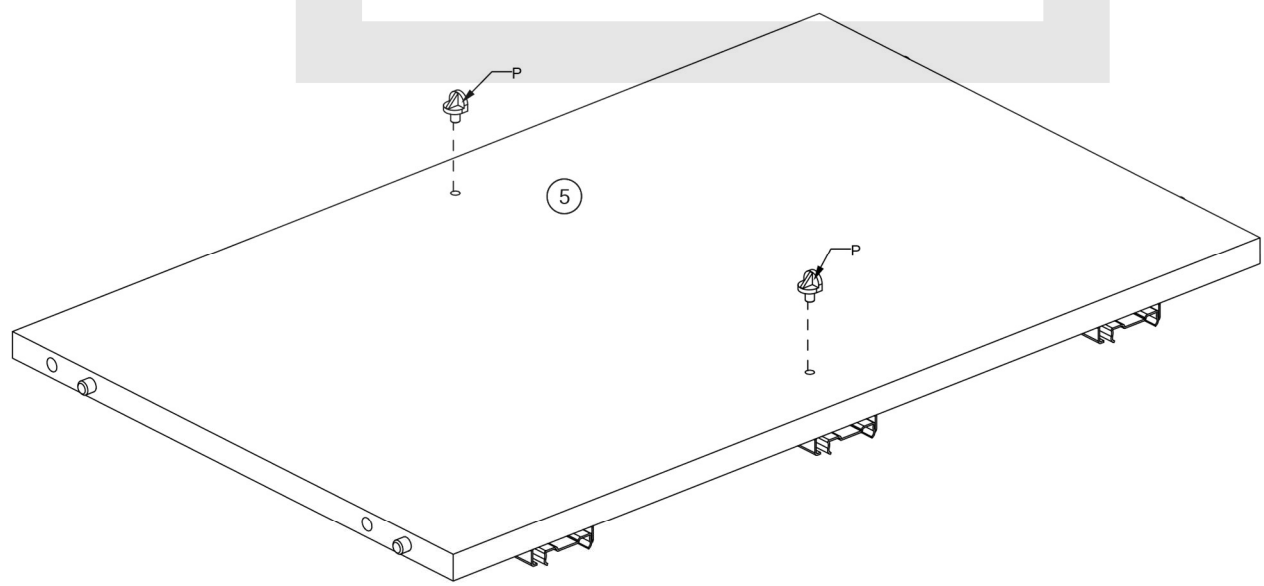
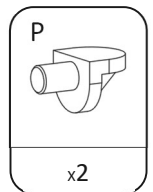




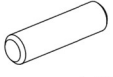

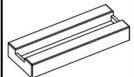
13

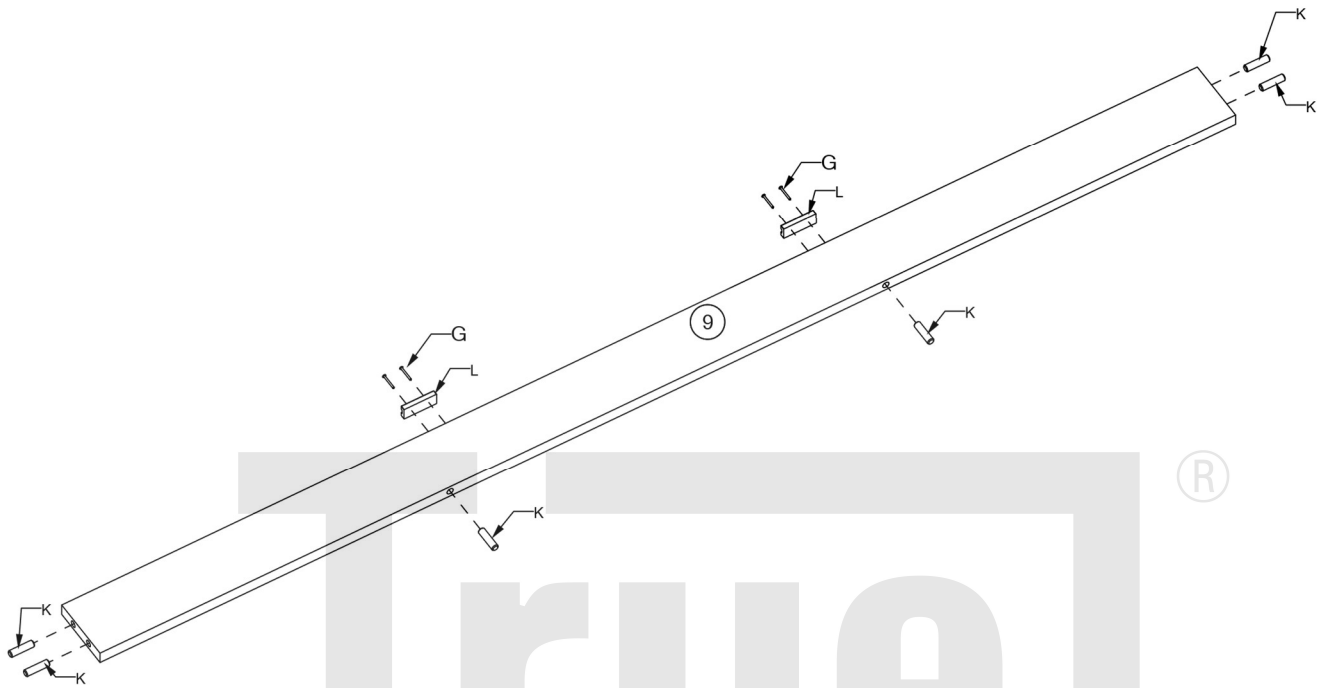


14

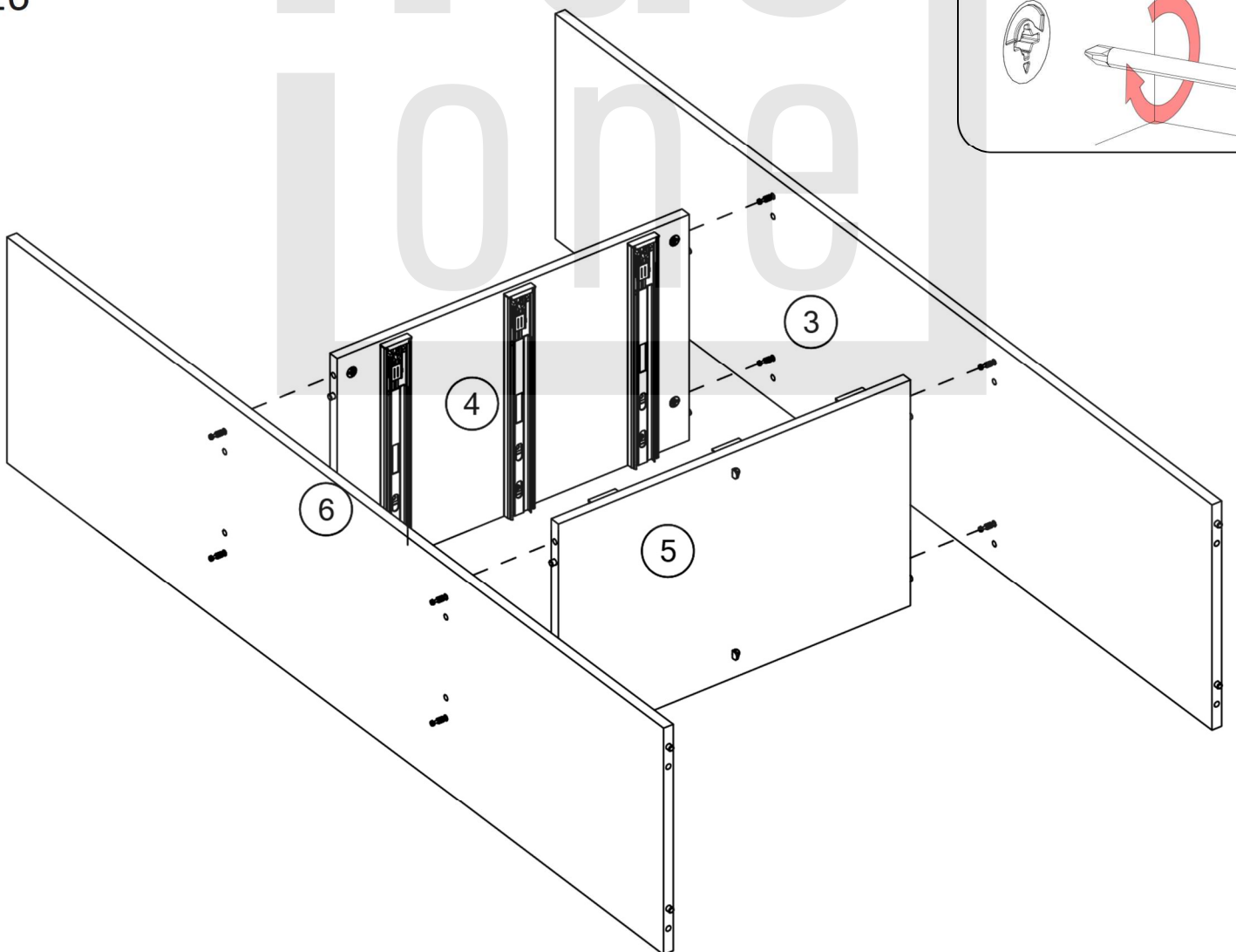
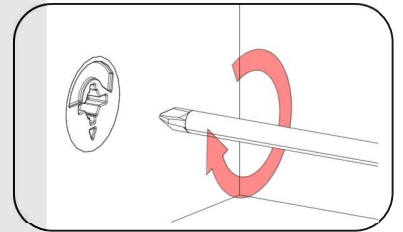


15

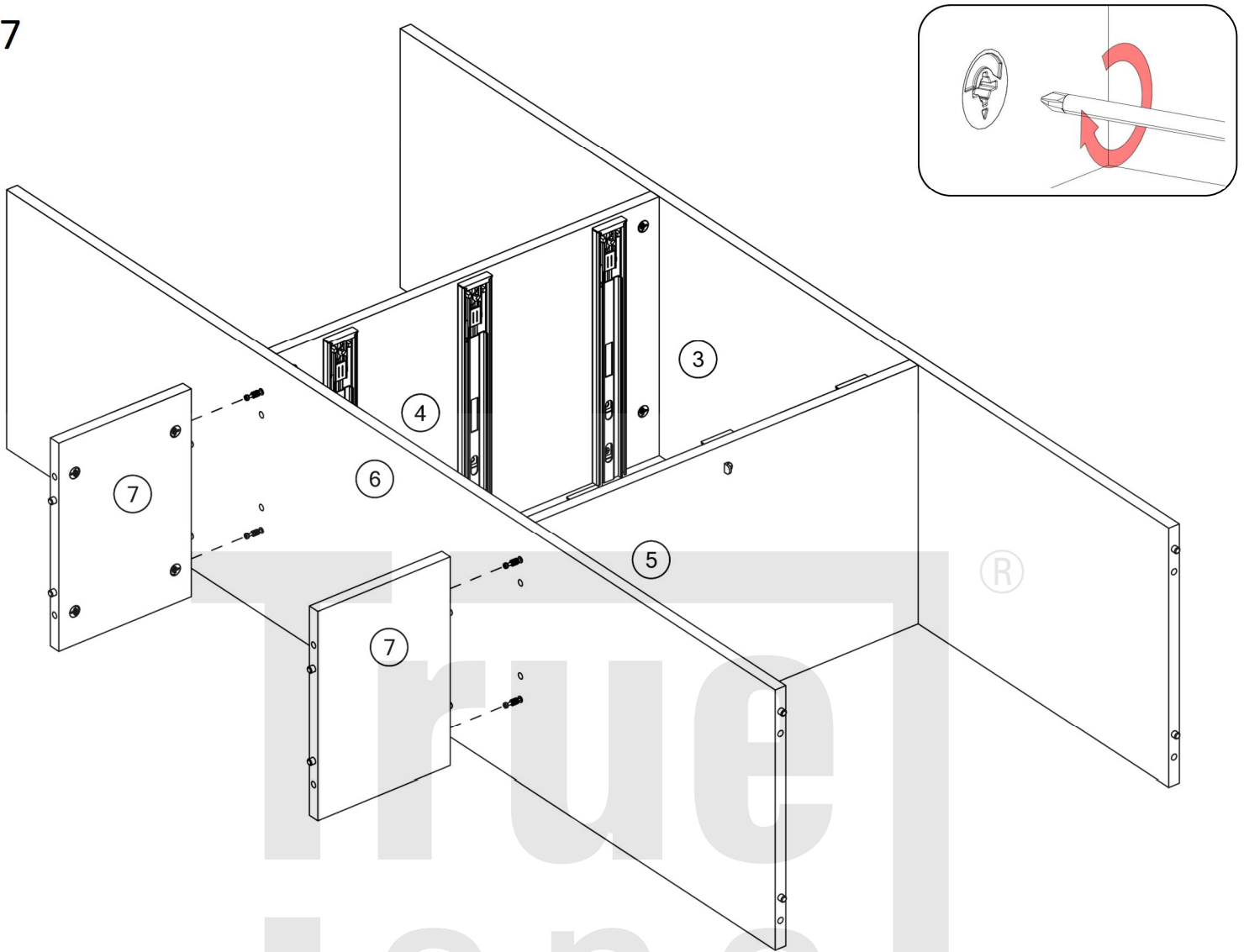
K	G	L
		
8x35	2x20	
x6	x4	x2



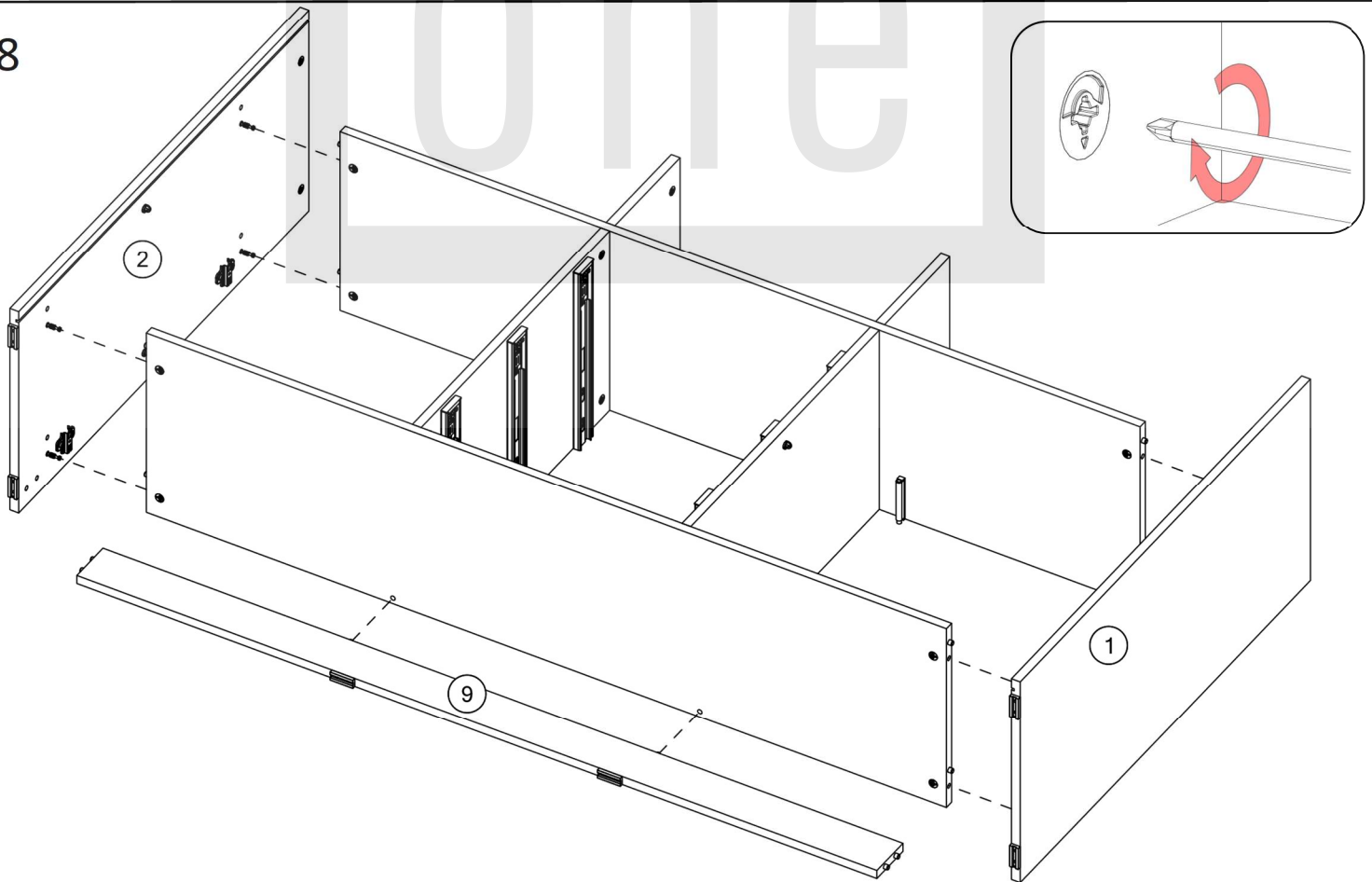
16



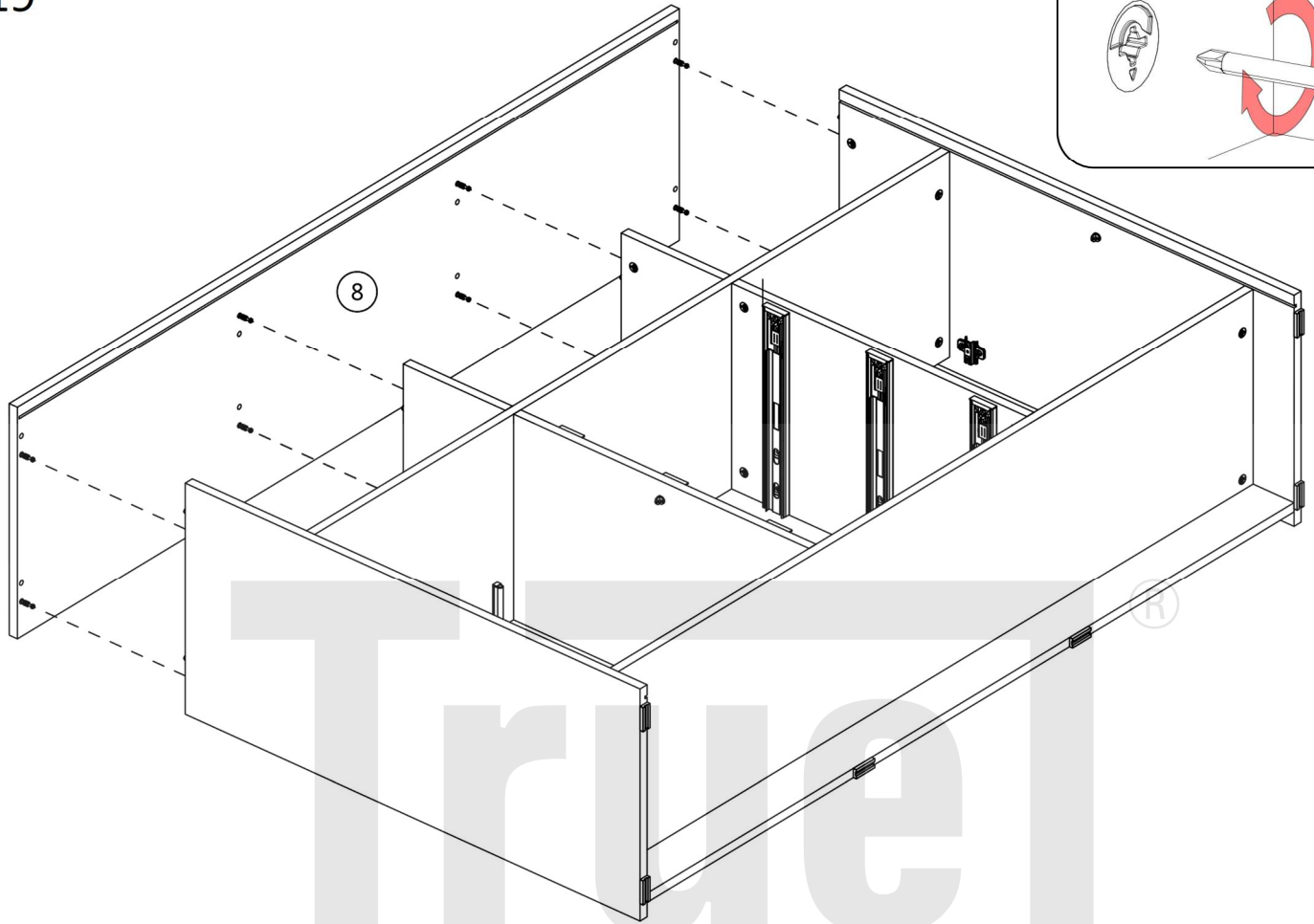
17



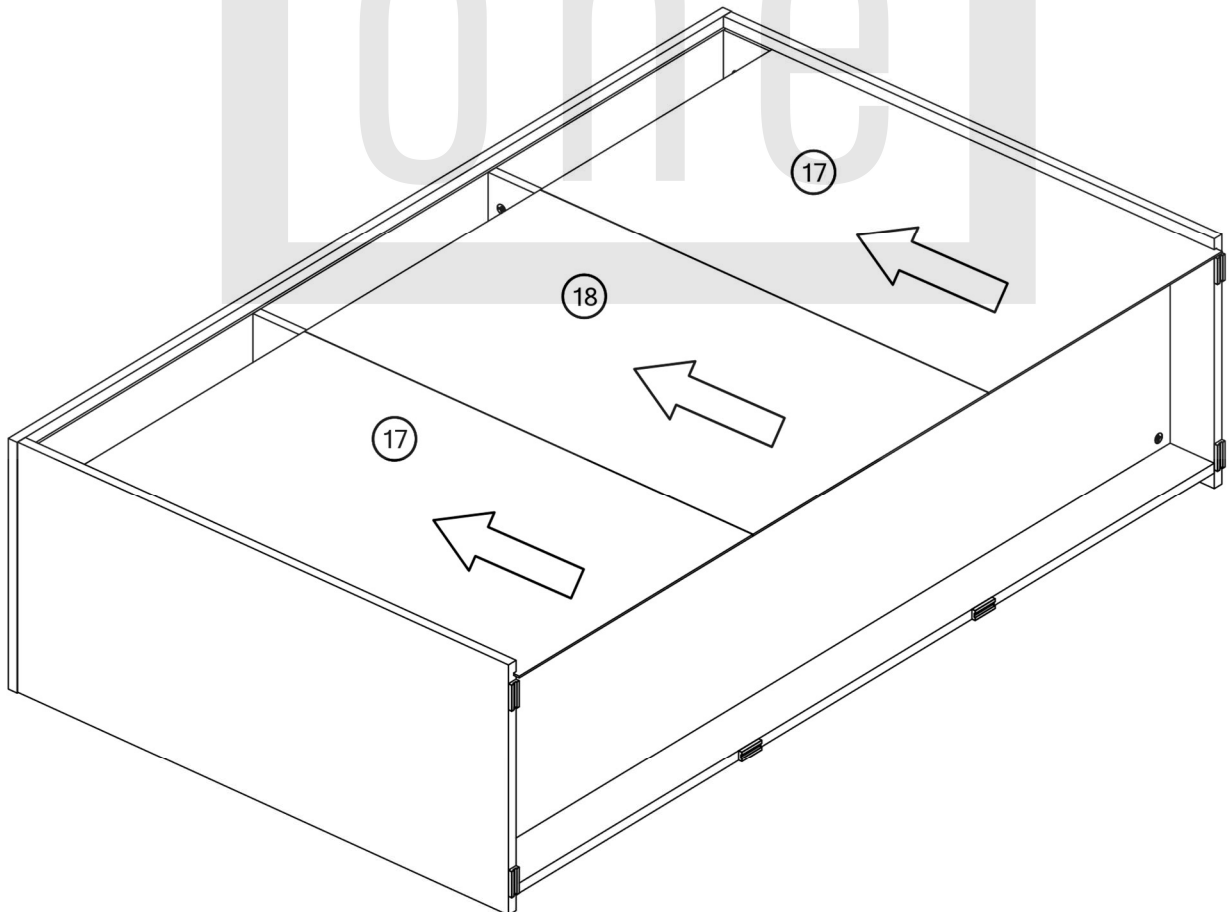
18





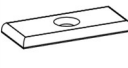
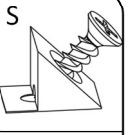
19

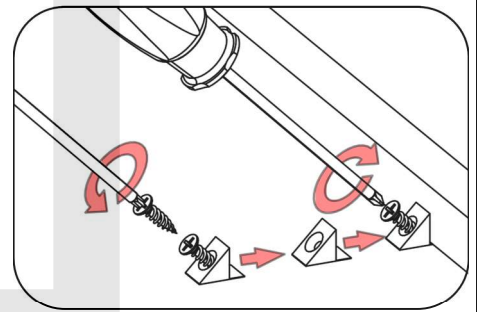
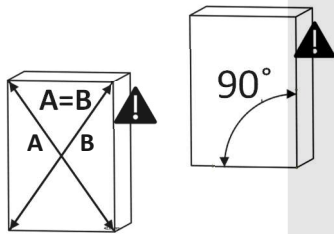
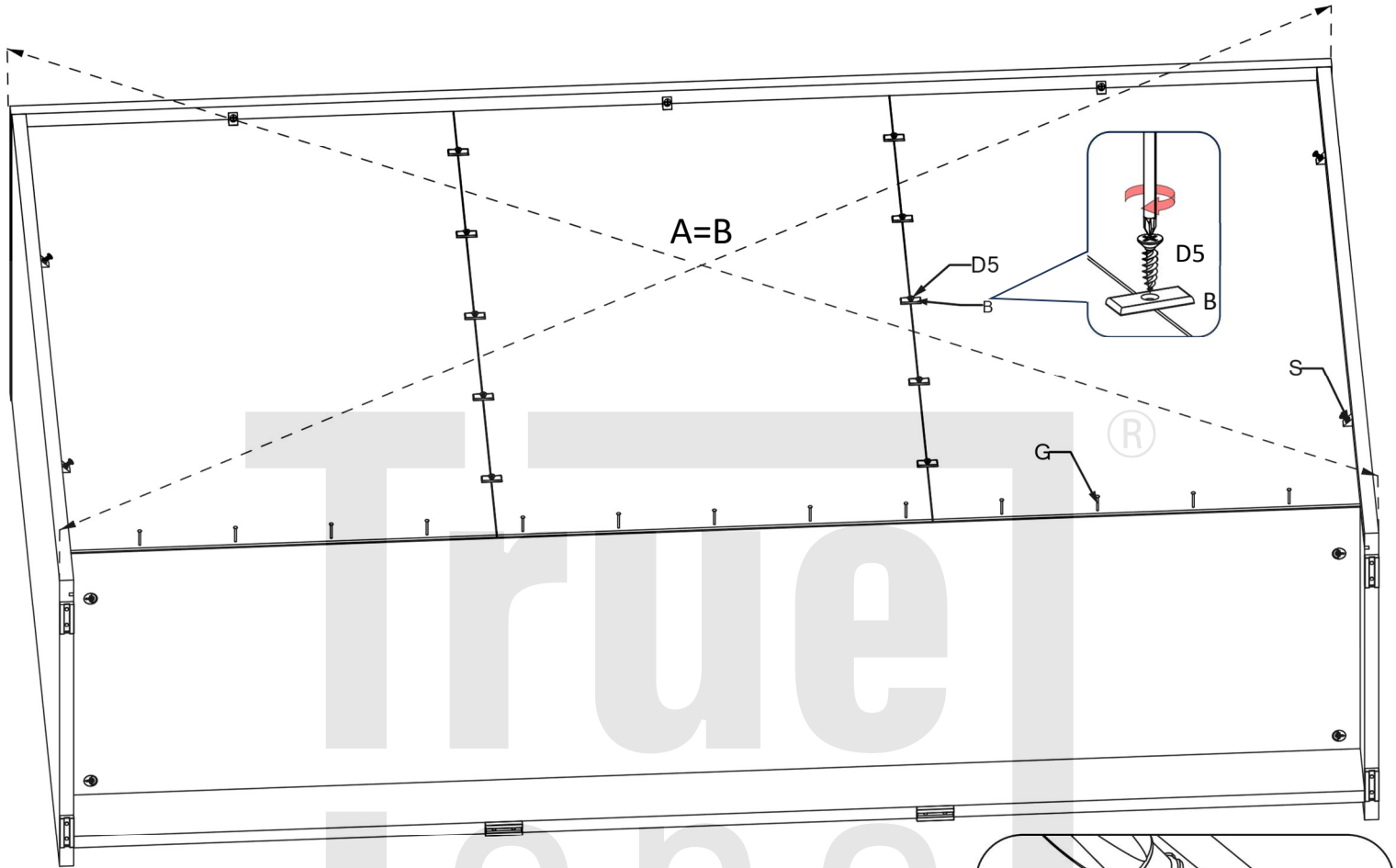


20


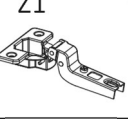


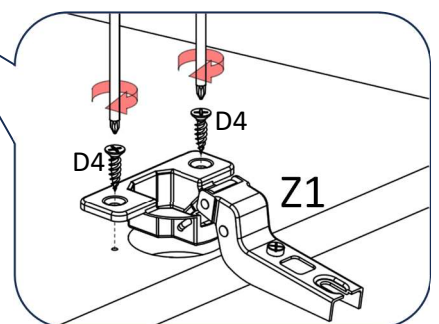
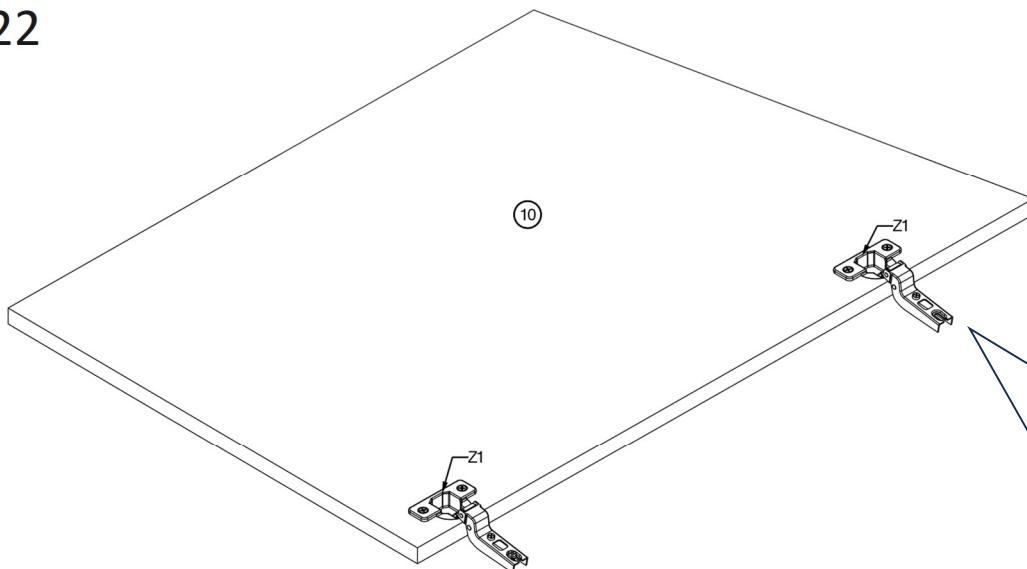
21

D5  3x13 x10	G  2x20 x13	W  x10	S  x7
---	---	---	---

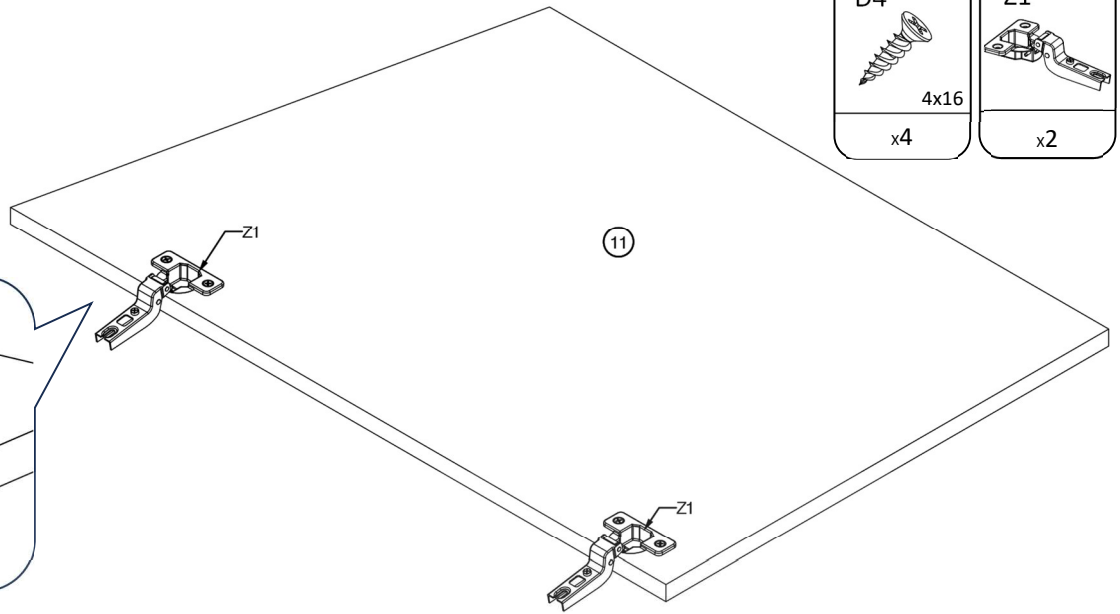
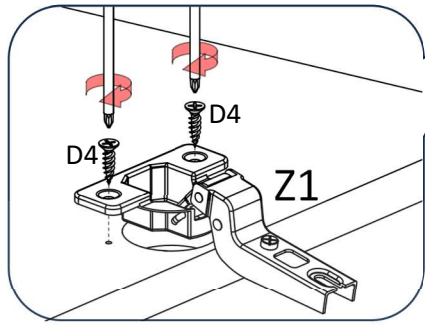


22

D4  4x16 x4	Z1  x2
---	---



23



D4 4x16 x4	Z1 x2
------------------	----------

24

x3

F 7x50 x2	M1 x36	M x4	K 8x35 x6	KL x1
-----------------	-----------	---------	-----------------	----------

